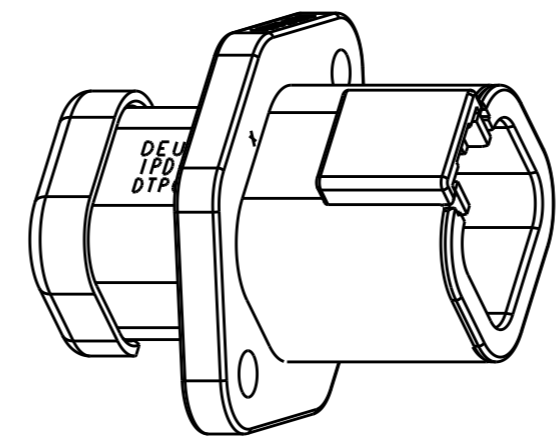
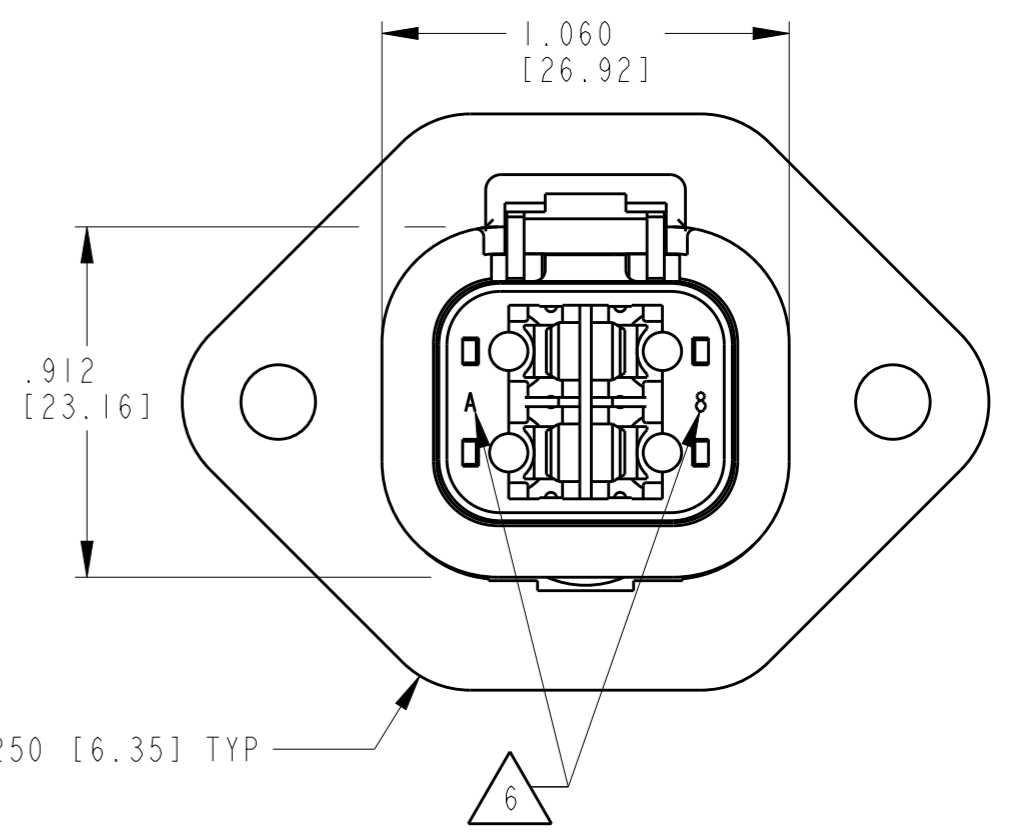
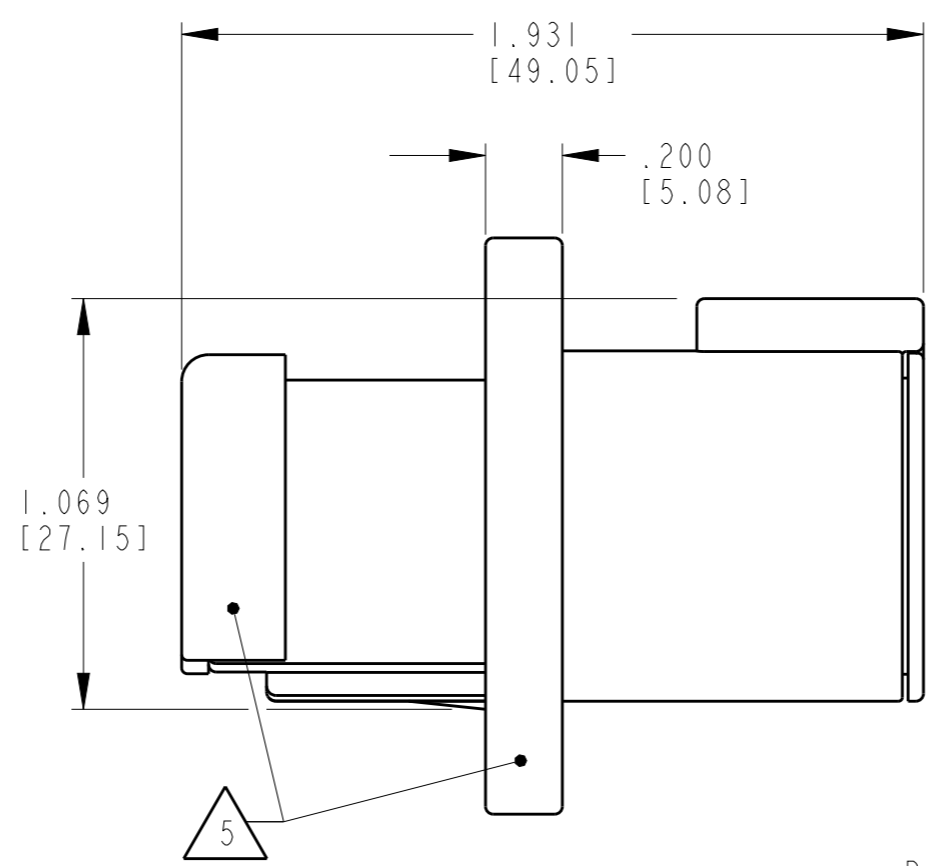
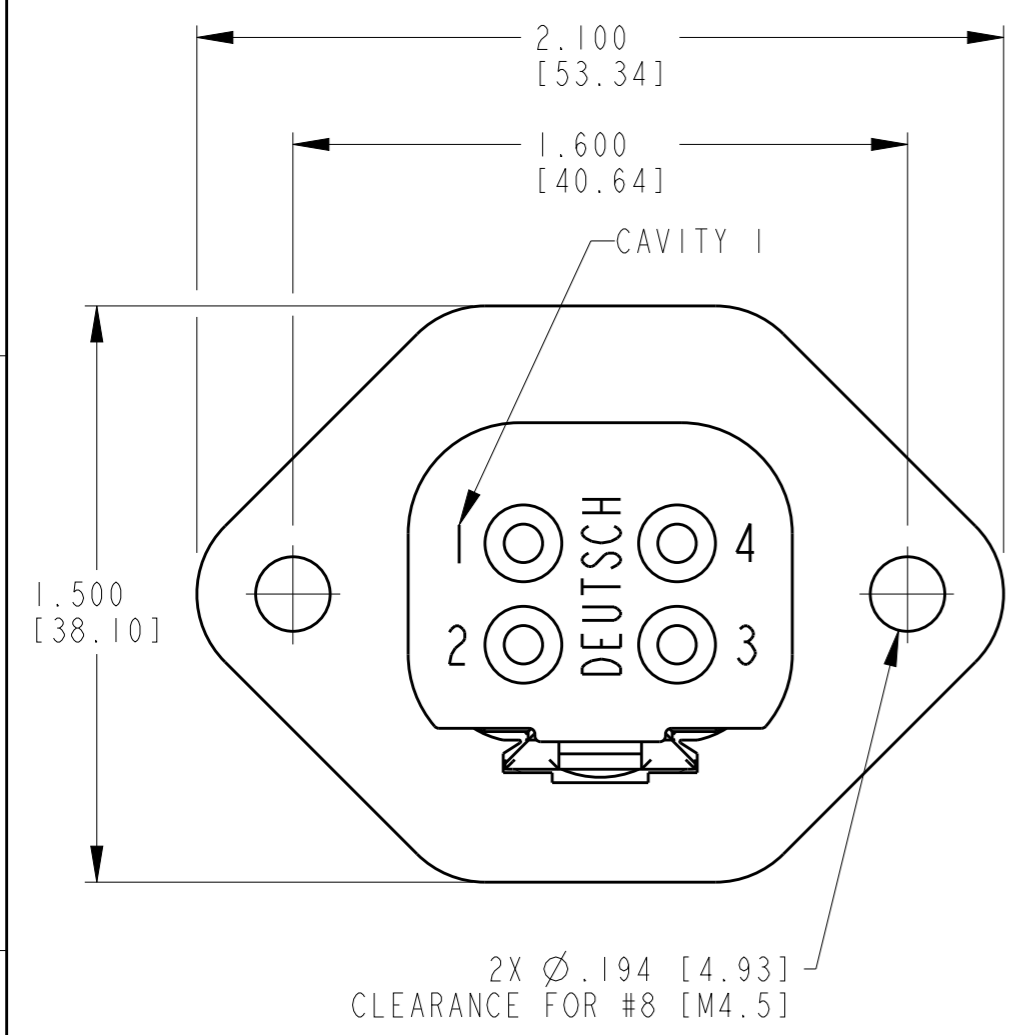


THIS DRAWING IS UNPUBLISHED  
 RELEASED FOR PUBLICATION 2015  
 © COPYRIGHT 2015 BY - TE CONNECTIVITY ALL RIGHTS RESERVED.

| LOC | DIST | REVISIONS   |                             |           |      |     |
|-----|------|-------------|-----------------------------|-----------|------|-----|
| P   | LTR  | DESCRIPTION | DATE                        | DWN       | APVD |     |
| -   | -    | NC          | NEW RELEASE PER E.O. PI8702 | 21OCT2004 | -    | RDR |
|     |      | A           | REVISED PER E.O. P20373     | 23DEC2009 | -    | RDR |
|     |      | B           | REVISED PER ECO-15-003592   | 09APR2015 | VNB  | DM  |



SCALE 1:1

- 6. DATE CODE: MONTH IS REPRESENTED BY SEQUENTIAL ALPHA CHARACTERS. EX: A=JANUARY; YEAR IS REPRESENTED BY LAST NUMERICAL DIGIT. EX: 8=2008
- 5. MODIFICATION: END CAP AND FLANGE ADDED.
- 4. MATERIAL: RECEPTACLE HOUSING, END CAP, FLANGE: PA 66 GF15 (GRAY)  
 GROMMET: SILICONE (ORANGE-RED)  
 INTERFACE SEAL: SILICONE, PHENYL FLUID LUBRICATED (GREEN)
- 3. THIS RECEPTACLE MATES WITH DTP06-4S-XXXX PLUG. (XXXX = ALL MODIFICATIONS)
- 2. SECONDARY WEDGE LOCK SOLD SEPARATELY, WP-4P.
- 1. DIMENSION TOLERANCE: ±.025 [.64],  
 PANEL CUTOUT: ±.010 [.25]. SEE SHEET 2.

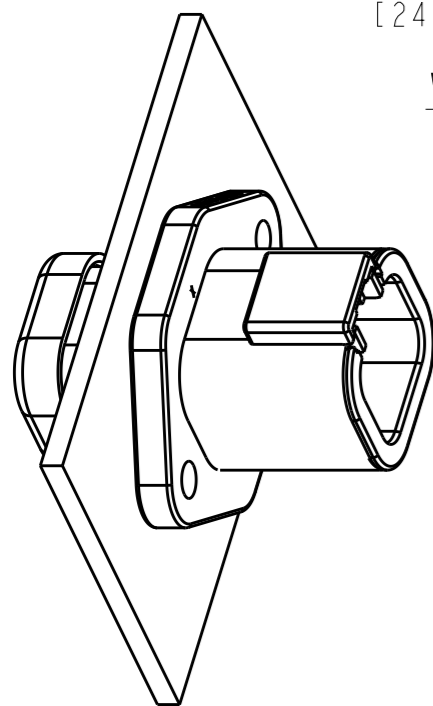
| CONTACT SIZE | MIN. INSUL. O.D. | MAX INSUL. O.D. | WIRE RANGE [mm <sup>2</sup> ] REF ONLY |
|--------------|------------------|-----------------|--|
| 12           | .134 [3.40]      | .170 [4.32]     | 10-14 AWG [5.0-2.0]                    |



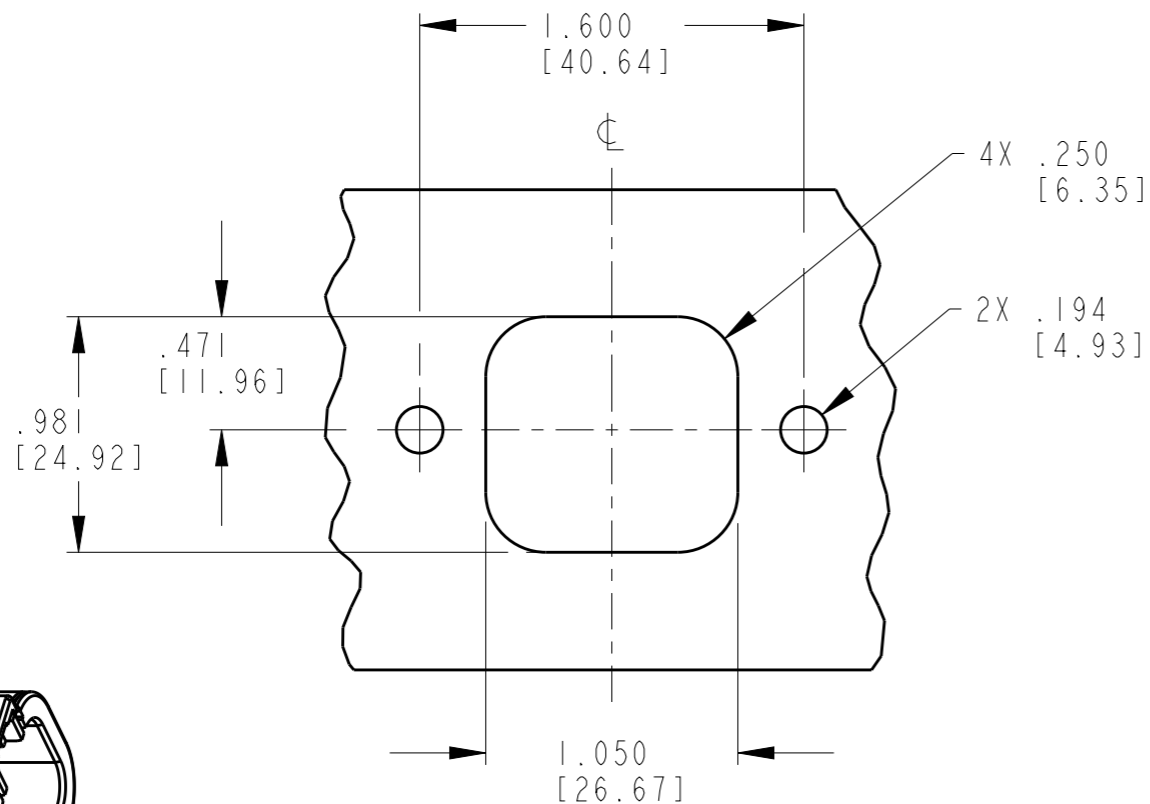
THIS DRAWING IS A CONTROLLED DOCUMENT.

|   |  |                  |                    |                             |                    |
|---|--|------------------|--------------------|-----------------------------|--------------------|
| DWN<br>D. MEYER<br>23SEP2004  | <b>TE</b> TE Connectivity<br>NAME<br>RECEPTACLE<br>4 CONTACTS, SIZE 12<br>-LE07 MOD DTP SERIES |                  |                    |                             |                    |
| CHK<br>B. BYFORD<br>23DEC2009   |  |                  |                    |                             |                    |
| APVD<br>R. REED<br>03DEC2009  |  |                  |                    |                             |                    |
| PRODUCT SPEC<br>-   |  |                  |                    |                             |                    |
| DIMENSIONS:<br>INCHES [mm]  | TOLERANCES UNLESS OTHERWISE SPECIFIED:   | SIZE<br>A3       | CAGE CODE<br>4AFU8 | DRAWING NO<br>DTP04-4P-LE07 | RESTRICTED TO<br>- |
| <br>0 PLC ±<br>1 PLC ±<br>2 PLC ±<br>3 PLC ±<br>4 PLC ±<br>ANGLES ±<br>FINISH - | <br>±  | WEIGHT<br>19.49g | SCALE<br>2:1       | SHEET<br>1 OF 2             | REV<br>B           |
| MATERIAL<br>4   | Customer Drawing   |                  |                    |                             |                    |

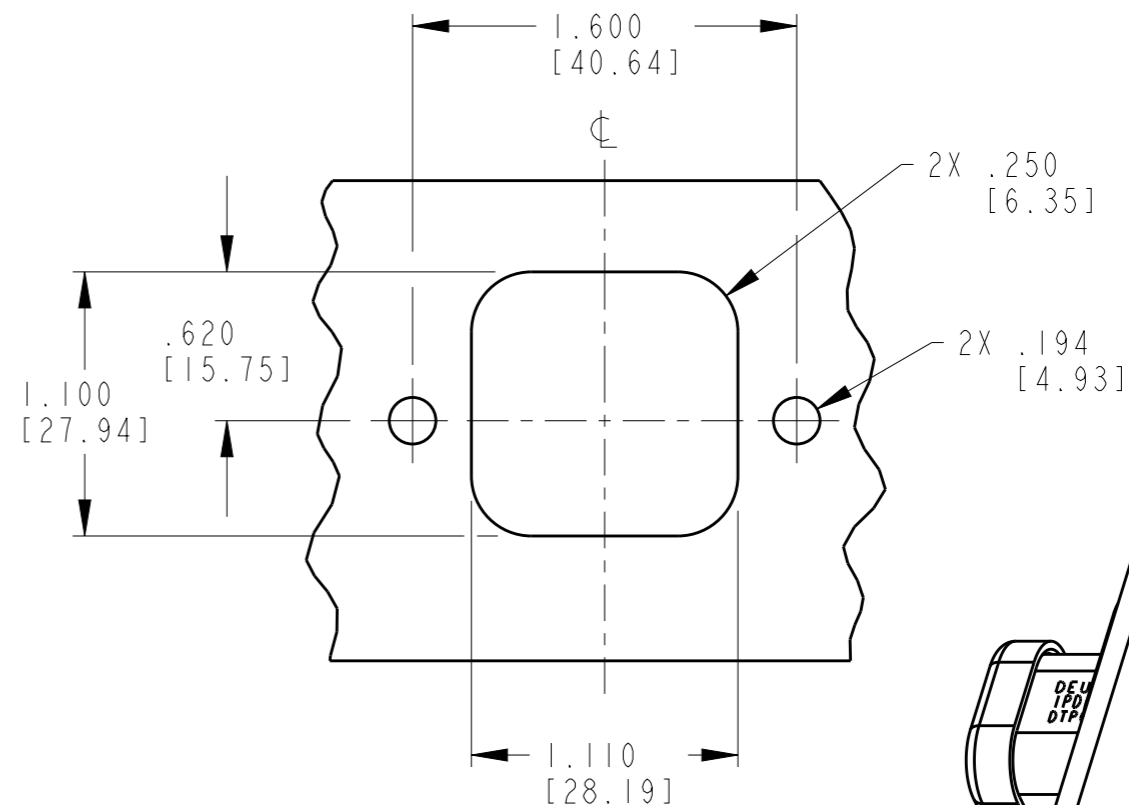
| LOC |     | DIST        |      | REVISIONS |      |  |  |
|-----|-----|-------------|------|-----------|------|--|--|
| P   | LTR | DESCRIPTION | DATE | DWN       | APVD |  |  |
| -   | -   | SEE SHEET 1 | -    | -         | -    |  |  |
|     |     |             |      |           |      |  |  |
|     |     |             |      |           |      |  |  |



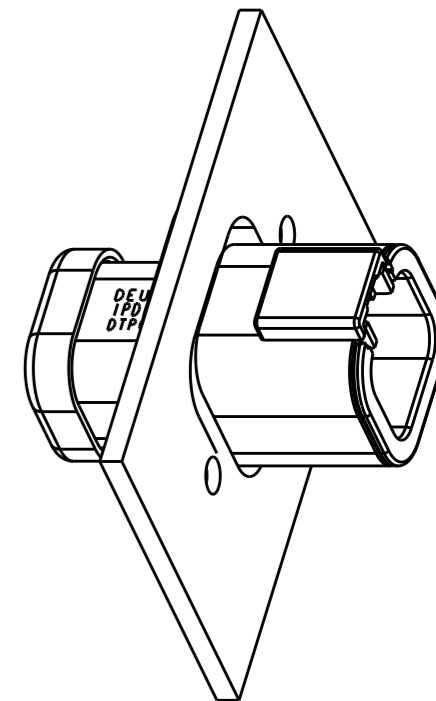
**FRONT MOUNT**  
REFERENCE VIEW




**RECOMMENDED CUTOUT**  
**FRONT MOUNT**



**RECOMMENDED CUTOUT**  
**REAR MOUNT**



**REAR MOUNT**  
REFERENCE VIEW

|  |    |                                |   |                             |    |       |   |       |   |       |    |        |    |                   |            |  |
|--|----|--------------------------------|---|-----------------------------|----|-------|---|-------|---|-------|----|--------|----|-------------------|------------|--|
| THIS DRAWING IS A CONTROLLED DOCUMENT.   |    | DWN<br>D. MEYER<br>23SEP2004   |  TE Connectivity |                             |    |       |   |       |   |       |    |        |    |                   |            |  |
| DIMENSIONS:<br>INCHES [mm]   |    | CHK<br>B. BAYFORD<br>23DEC2009 |   |                             |    |       |   |       |   |       |    |        |    |                   |            |  |
| TOLERANCES UNLESS OTHERWISE SPECIFIED:   |    | APVD<br>R. REED<br>03DEC2009   | NAME<br>RECEPTACLE<br>4 CONTACTS, SIZE 12<br>-LE07 MOD DTP SERIES                                     |                             |    |       |   |       |   |       |    |        |    |                   |            |  |
| <table border="0"> <tr><td>0 PLC</td><td>±-</td></tr> <tr><td>1 PLC</td><td>±-</td></tr> <tr><td>2 PLC</td><td>±</td></tr> <tr><td>3 PLC</td><td>±</td></tr> <tr><td>4 PLC</td><td>±-</td></tr> <tr><td>ANGLES</td><td>±-</td></tr> </table> |    | 0 PLC                          | ±-  | 1 PLC                       | ±- | 2 PLC | ± | 3 PLC | ± | 4 PLC | ±- | ANGLES | ±- | PRODUCT SPEC<br>- | SIZE<br>A3 |  |
| 0 PLC  | ±- |                                |   |                             |    |       |   |       |   |       |    |        |    |                   |            |  |
| 1 PLC  | ±- |                                |   |                             |    |       |   |       |   |       |    |        |    |                   |            |  |
| 2 PLC  | ±  |                                |   |                             |    |       |   |       |   |       |    |        |    |                   |            |  |
| 3 PLC  | ±  |                                |   |                             |    |       |   |       |   |       |    |        |    |                   |            |  |
| 4 PLC  | ±- |                                |   |                             |    |       |   |       |   |       |    |        |    |                   |            |  |
| ANGLES   | ±- |                                |   |                             |    |       |   |       |   |       |    |        |    |                   |            |  |
| MATERIAL   |    | APPLICATION SPEC<br>-          | CAGE CODE<br>4AFU8  | DRAWING NO<br>DTP04-4P-LE07 |    |       |   |       |   |       |    |        |    |                   |            |  |
| FINISH<br>-  |    | WEIGHT<br>-                    | RESTRICTED TO<br>-  |                             |    |       |   |       |   |       |    |        |    |                   |            |  |
| Customer Drawing   |    |                                | SCALE<br>2:1  | SHEET<br>2 OF 2             |    |       |   |       |   |       |    |        |    |                   |            |  |
|  |    |                                | REV<br>B  |                             |    |       |   |       |   |       |    |        |    |                   |            |  |

## X-ON Electronics

Largest Supplier of Electrical and Electronic Components

*Click to view similar products for [Automotive Connectors](#) category:*

*Click to view products by [TE Connectivity](#) manufacturer:*

Other Similar products are found below :

[003-018-000](#) [60403001](#) [60993906-B](#) [M902-2131](#) [M902-2161](#) [72.330.1035.1](#) [73.353.4028.0](#) [F119300-B](#) [F166900](#) [F258300-B](#) [F358300-B](#)  
[F407400](#) [F444110](#) [F487000](#) [F509500B-B](#) [827153-1](#) [8N1515-32-24P](#) [9-1326729-8](#) [925474-1](#) [928905-1](#) [964562-4](#) [968782-1](#) [GT17SA-8DS-](#)  
[HU](#) [98891-1012](#) [98947-1016](#) [12004147](#) [12004475-L](#) [12010290](#) [12010309-B](#) [12015454](#) [12020219-B](#) [12020308](#) [12041318-B](#) [12052225-L](#)  
[12052466](#) [12059125](#) [12064869](#) [12004327-B](#) [12010503-B](#) [12015308](#) [12015384](#) [12015909](#) [1-21030-1](#) [12041254](#) [12041318](#) [12047946-B](#)  
[12047957](#) [12047957-L](#) [12059473](#) [12066261](#)