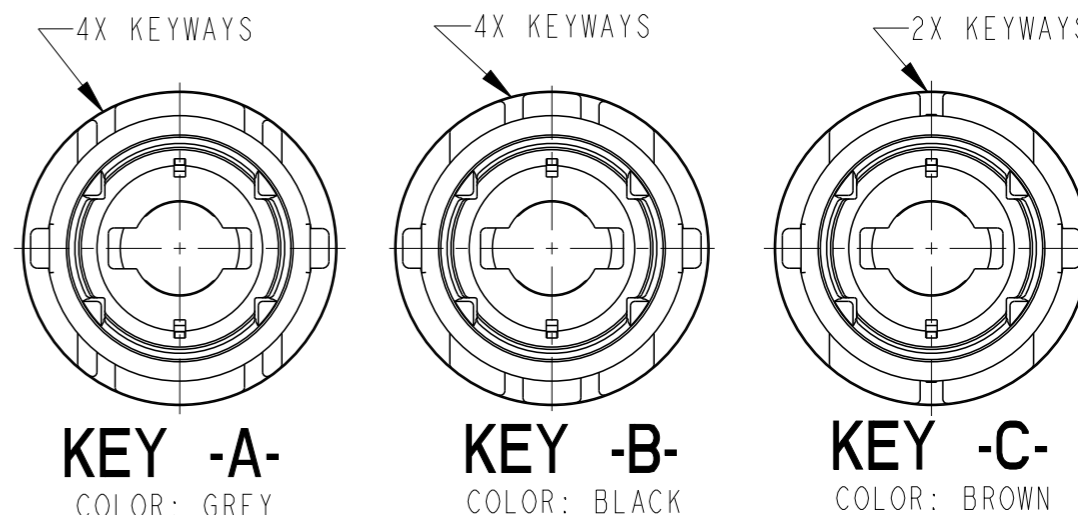
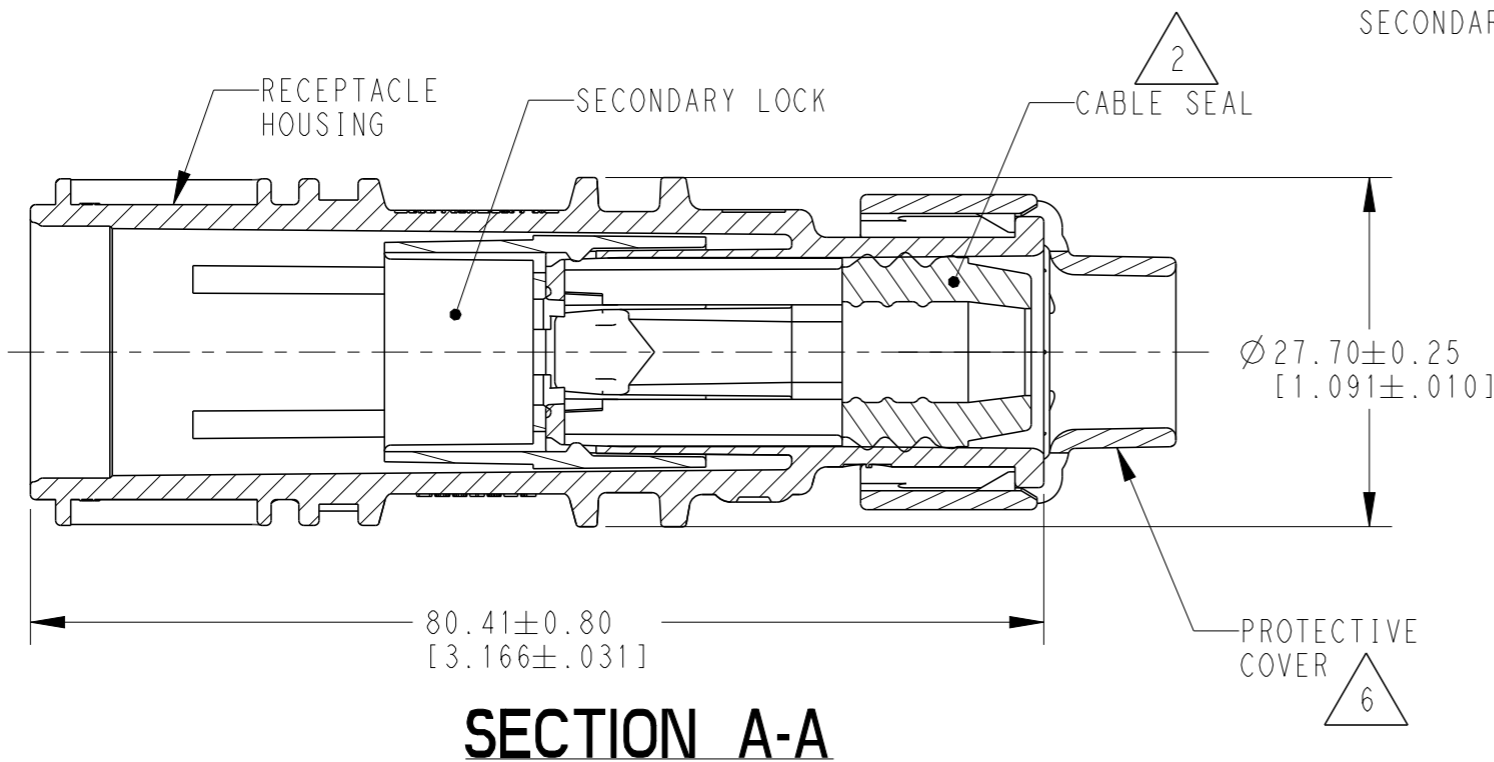
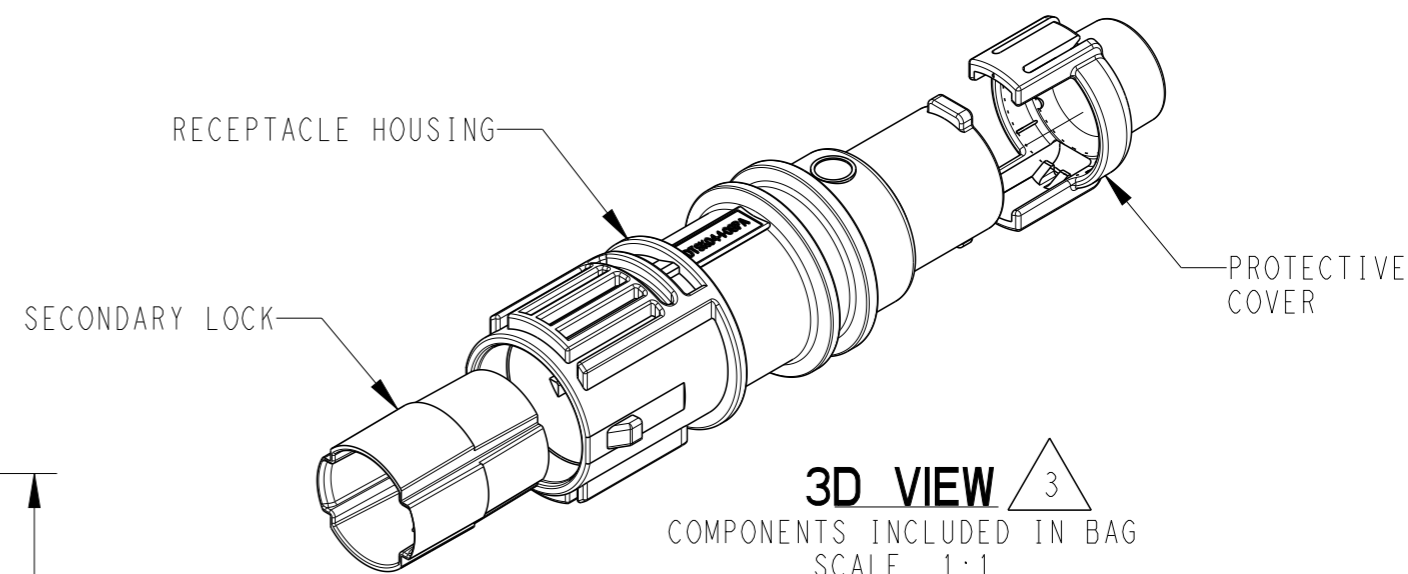
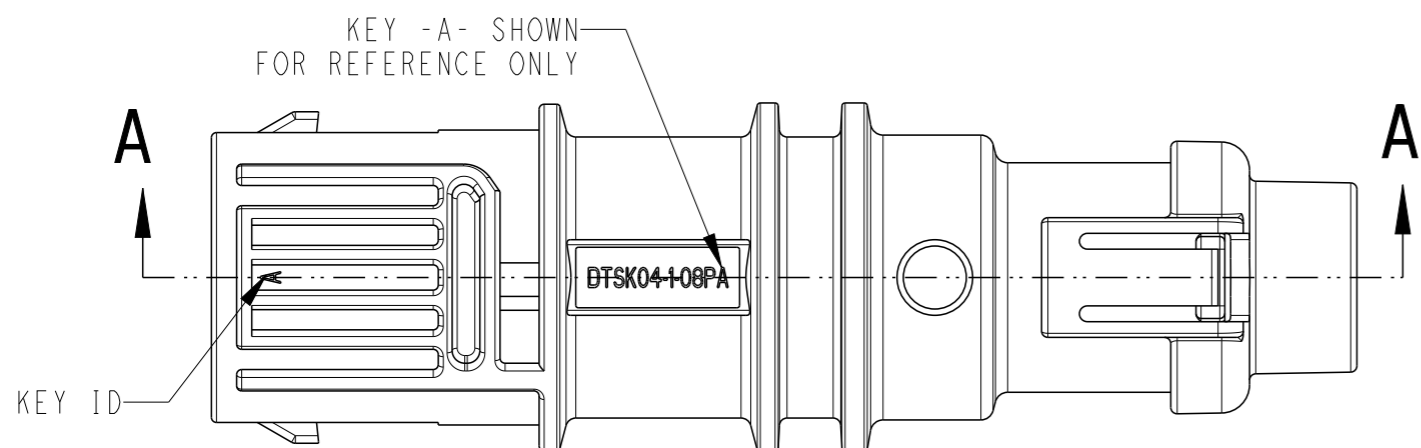


LOC	DIST	REVISIONS			
P	LTR	DESCRIPTION	DATE	DWN	APVD
	B2	REVISED PER ECO-16-003814	11MAR2016	JA	DM
	C	REVISED PER ECO-16-016157	09NOV2016	DD	DM
	C1	REVISED PER ECR-17-016062	31OCT2017	DD	DM
	C2	REVISED PER PCN :E-18-011832	23JUL2018	DD	DM



KEY ARRANGEMENTS

4 MATERIAL: RECEPTACLE HOUSING: PA46 GF10 (GREY, BLACK, BROWN)
 SECONDARY LOCK: PA66 GF10 (BLUE)
 PROTECTIVE COVER: PA66 GF15 (BLACK)

3 SECONDARY LOCK, PROTECTIVE COVER AND HOUSING ARE SHIPPED LOOSE IN INDIVIDUAL BAG. FOR INSTALLATION; SEE APPLICATION SPEC 114-151028

2 CABLE SEAL NOT INCLUDED. SEE TABLE FOR SEAL SELECTION.

TE INTERNAL PN	DEUTSCH PN
DTSK04-1-08PA	DTSK04-1-08PA
DTSK04-1-08PB	DTSK04-1-08PB
DTSK04-1-08PC	DTSK04-1-08PC

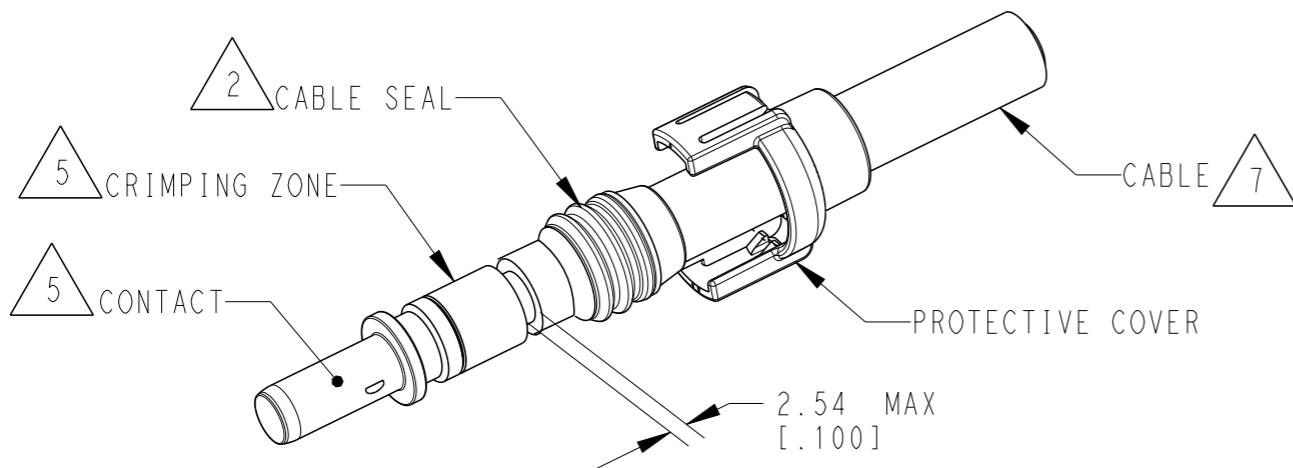
TE INTERNAL PN	DEUTSCH PN	MIN INSUL OD	MAX INSUL OD	CABLE SEAL COLOR
2289241-1	WS-25-001	8.17 [.322]	9.66 [.380]	BLUE
2289242-1	WS-32-001	9.49 [.374]	10.52 [.414]	RED
2289243-1	WS-35-001	10.59 [.417]	11.59 [.456]	GREEN

THIS DRAWING IS A CONTROLLED DOCUMENT.		DWN 19JAN2012 ILINA GRANICHAROVA		TE Connectivity	
DIMENSIONS: mm [INCHES]		CHK 22MAY2012 ILINA GRANICHAROVA			
		APVD 23MAY2012 CLARK WOODRUFF		NAME RECEPTACLE, 8MM DTSK SERIES	
		PRODUCT SPEC 108-151027		SIZE A3	
MATERIAL		FINISH		DRAWING NO 114-151028	
4				CAGE CODE 4AFU8	
		WEIGHT 22.2g		DRAWING NO DTSK04-1-08PX	
		CUSTOMER DRAWING		RESTRICTED TO -	
		SCALE 5:3		SHEET 1 OF 2	
				REV C2	

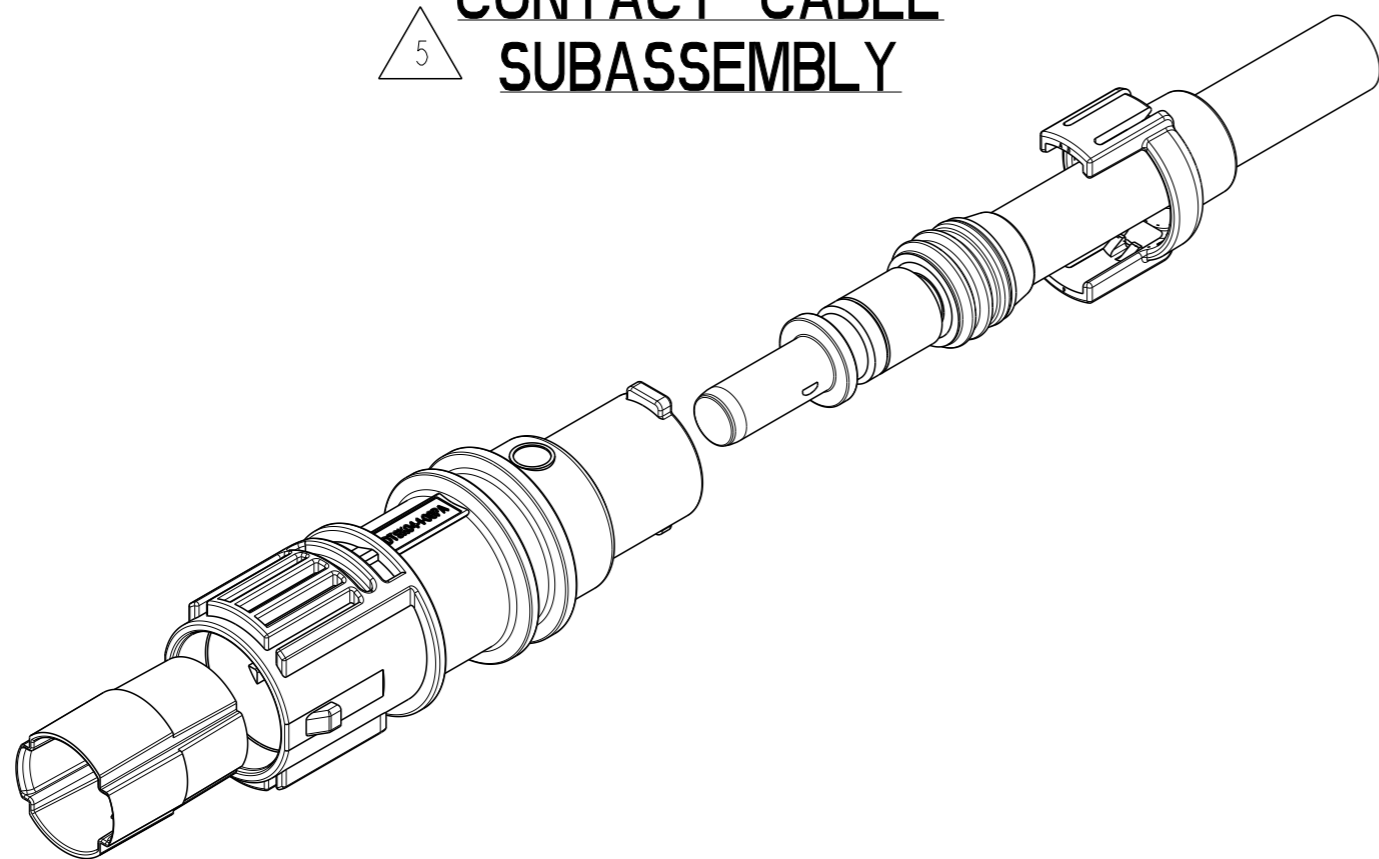
1. THIS RECEPTACLE MATES WITH DTSK06-1-08SX PLUG. (X=A,B,C KEYS)

NOTES:

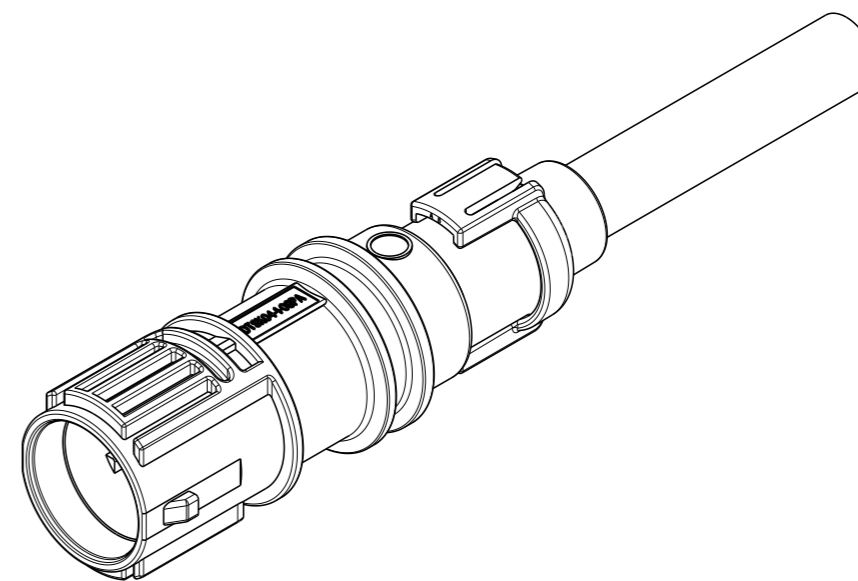
LOC		DIST		REVISIONS			
P	LTR	DESCRIPTION		DATE	DWN	APVD	
	-	SEE SHEET 1		-	-	-	



CONTACT CABLE SUBASSEMBLY



CONTACT INSTALLATION



WIRED AND COMPLETED ASSEMBLY

8. FOR FLANGE MOUNTING SEE DTSKF-1.
 RECEPTACLE INSTALLS INTO FLANGE USING 1/4 TURN.

7 FOR CABLE O.D. SEE APPLICATION SPEC 114-151028.

6 FOR PROTECTIVE COVER SEE 1028-047-08005.

5 FOR CONTACT AND CRIMP INFORMATION SEE APPLICATION SPEC 114-151039.

NOTES:

THIS DRAWING IS A CONTROLLED DOCUMENT.		DWN 19 JAN 2012 ILINA GRANICHAROVA			
DIMENSIONS: mm [INCHES]		CHK 22 MAY 2012 ILINA GRANICHAROVA			
		APVD 23 MAY 2012 CLARK WOODRUFF		NAME RECEPTACLE, 8MM DTSK SERIES	
		TOLERANCES UNLESS OTHERWISE SPECIFIED: 0 PLC ± 1 PLC ± 2 PLC ± 3 PLC ± 4 PLC ± ANGLES ±		PRODUCT SPEC 108-151027	
MATERIAL 4		FINISH		APPLICATION SPEC 114-151028	
		WEIGHT 22.2g		SIZE A3	CAGE CODE 4AFU8
		Customer Drawing		DRAWING NO DTSK04-1-08PX	RESTRICTED TO
		SCALE 1:1		SHEET 2 OF 2	REV C2

X-ON Electronics

Largest Supplier of Electrical and Electronic Components

Click to view similar products for [Automotive Connectors](#) category:

Click to view products by [TE Connectivity](#) manufacturer:

Other Similar products are found below :

[003-018-000](#) [600858](#) [60403001](#) [60993906-B](#) [60993913-B](#) [629515004020001](#) [M902-2131](#) [M902-2161](#) [M902-2344](#) [72.330.1035.1](#)
[73.353.4028.0](#) [F118010](#) [F119300-B](#) [F132210](#) [F132210-B](#) [F166900](#) [F180100](#) [F258300](#) [F258300-B](#) [F294300-B](#) [F339100](#) [F339700](#) [F358300-](#)
[B](#) [F374110](#) [F407400](#) [F412210](#) [F427600](#) [F444110](#) [F487000](#) [F495100-B](#) [F500900-B](#) [F509500B-B](#) [770444-1](#) [776880-1](#) [827153-1](#) [881735-1](#)
[8N1515-32-24P](#) [9-1326727-8](#) [9-1326729-8](#) [925467-1](#) [925474-1](#) [928905-1](#) [936398-2](#) [964562-1](#) [964562-4](#) [964731-2](#) [965051-1](#) [968782-1](#)
[GT17SA-8DS-HU](#) [GT17VS-10DP-5.2CF](#)