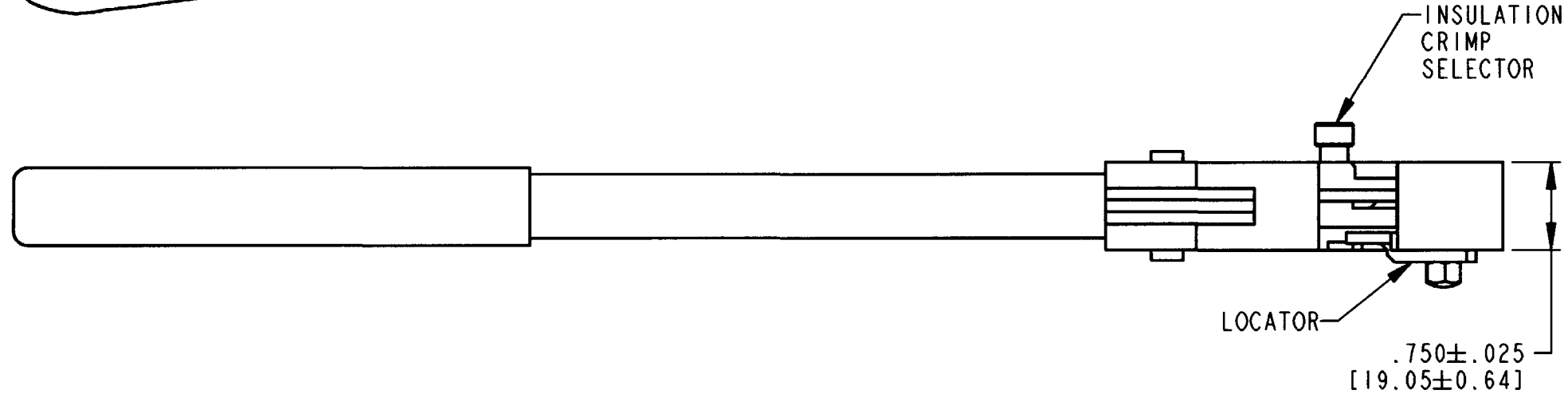
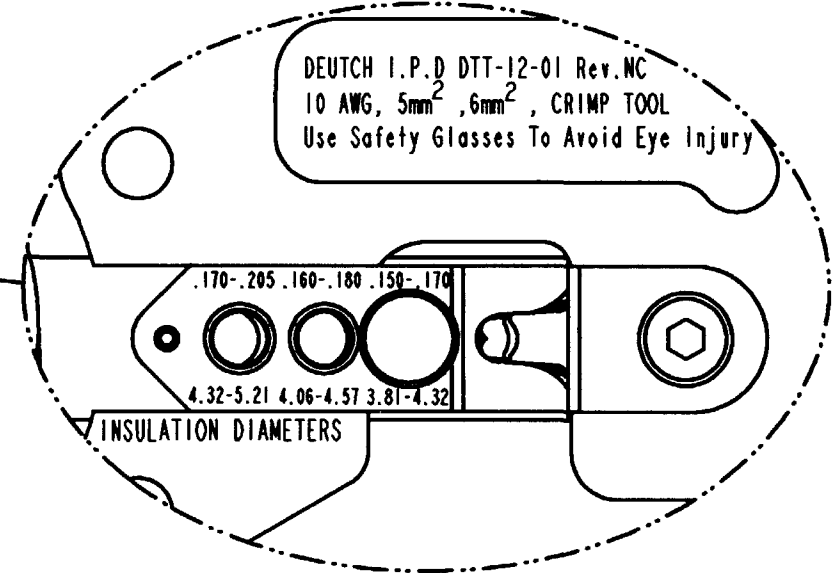
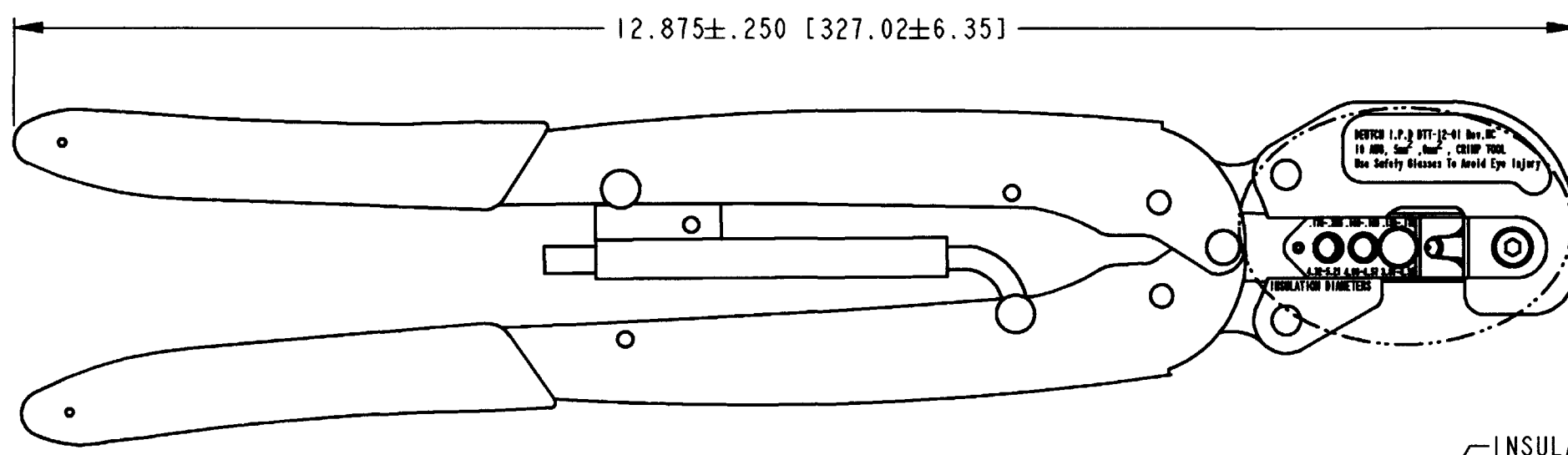


REV	NC	DTT-12-01
-----	----	-----------

REVISIONS			
SYM	DESCRIPTION	DATE	APPROVED
NC	NEW RELEASE PER E.O. PI7438	9-21-01	RDR



12 SIZE S/F CRIMP SCHEMA		
	WIRE TYPE	INSULATION SELECTOR
1060-12-02** PIN	10 AWG TXL	.150-.170 [3.81-4.32]
	10 AWG GXL	.160-.180 [4.06-4.57]
1062-12-02** SOCKET	10 AWG SXL	.170-.205 [4.32-5.21]
	5 mm <sup>2</sup>	.160-.180 [4.06-4.57]
	6 mm <sup>2</sup>	.170-.205 [4.32-5.21]

5. EACH TOOL INCLUDES AN INSTRUCTION MANUAL 0425-045-0000.
4. \*\* = CONTACT PLATING CODE (22 = NICKEL; 44 = SELECTIVE GOLD).
3. THIS TOOL IS DESIGNED TO CRIMP SIZE 12 STAMPED CONTACTS TO WIRES INDICATED.
2. TOOL IS BLACK WITH BLUE HANDLES.
1. DIMENSIONS ARE IN INCHES [mm].
- NOTES: UNLESS OTHERWISE SPECIFIED

SIGNATURE & DATE	
DR	J. APOSTOL 17SEP2001
CHK	D. [Signature] 9/21/01
PE	[Signature] 9/21/01
APPD	R. Reed 9-21-01
SCALE	NONE WT

CRIMP TOOL  
 CONDUCTOR: 10 AWG, 5mm<sup>2</sup> & 6mm<sup>2</sup>  
 INSULATION: .150-.205  
 DTT-12-01  
 ENVELOPE

CP	EP 101	MATL. CODE
<b>The Deutsch Company</b> DEUTSCH I.P.D. 3850 INDUSTRIAL AVE. HEMET, CALIF. 92545		
<b>B</b> DTT-12-01		
DWG SIZE	CODE 11139	SHEET   OF

## X-ON Electronics

Largest Supplier of Electrical and Electronic Components

*Click to view similar products for [Crimpers / Crimping Tools](#) category:*

*Click to view products by [TE Connectivity](#) manufacturer:*

Other Similar products are found below :

[010-0096](#) [M225201-06](#) [M225202-37](#) [6-1579015-5](#) [CT150-2-D02](#) [622-6441LF](#) [63484-3701](#) [63800-8355](#) [63819-1875](#) [63819-2875](#) [63819-4475](#) [63827-5375](#) [64001-4175](#) [64005-0175](#) [662903-2](#) [690602-6](#) [7-23471-1](#) [762637-1](#) [811242-5](#) [91362-1](#) [999-50-020083](#) [1-21002-3](#) [1-21002-7](#) [12118040](#) [12085270](#) [1-21113-6](#) [1-22548-4](#) [125442-1](#) [DCE.91.073.BVC](#) [DCE.91.090.3MVM](#) [DCE.91.130.5MVU](#) [DCE.91.202.BVCM](#) [1-354003-0](#) [1338301-1](#) [DF62/RE-MD](#) [142321](#) [AP105-DF11-2428S\(64\)](#) [1456088-1](#) [1490794-1](#) [1-45804-6](#) [AX100749](#) [1-59619-7](#) [1596970-1](#) [1-59619-8](#) [1901238-2](#) [2119581-1](#) [2-1579016-2](#) [22488-5](#) [K761](#) [904139-1](#)