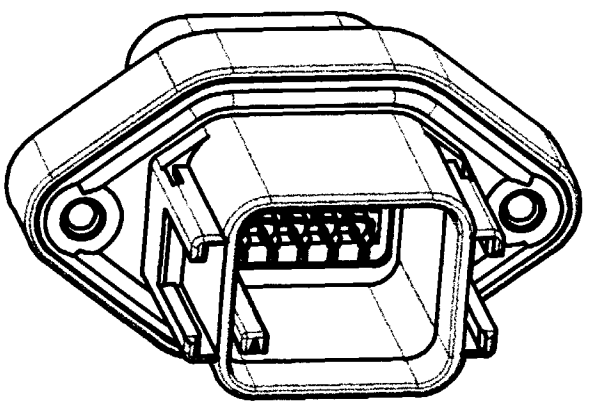


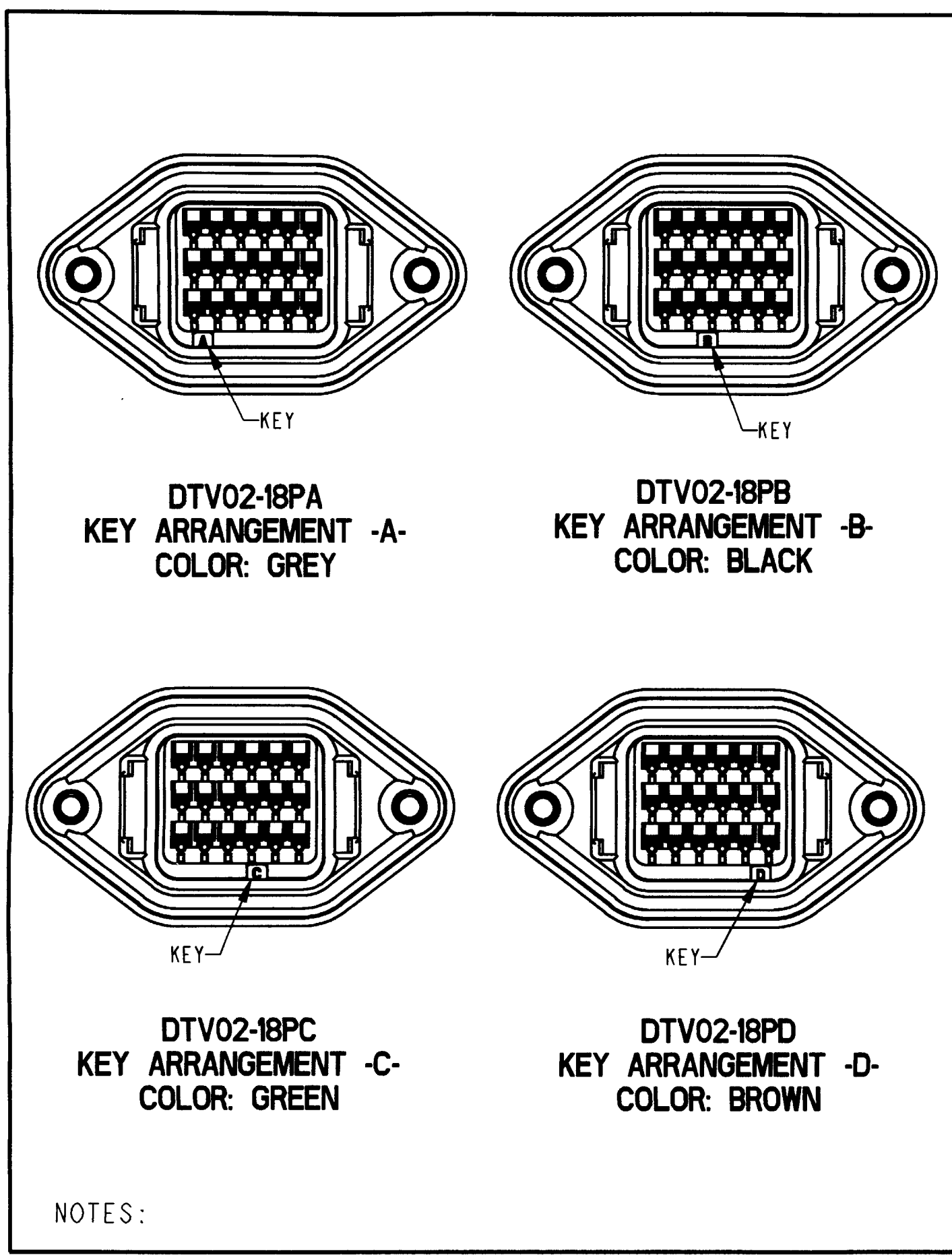
REV	DTV02-18P *	REVISIONS			
NC		SYM	DESCRIPTION	DATE	APPROVED
		NC	NEW RELEASE PER E.O. P17206	4-5-01	ADK

- 8. MATERIAL: HOUSING: PLASTIC; GROMMET/SEAL: RUBBER; THREADED INSERT: STEEL
 - 7. MAX. ACCEPTABLE THICKNESS OF MOUNTING WALL IS .195 [4.95 mm].
 - 6. RECOMMENDED TORQUE VALUE FOR SCREW: 19.91±2.21 IN/LB [2.25±0.25Nm]
 - 5. THIS RECEPTACLE MATES WITH DTV06-18S*-**** PLUG. (* = A,B,C,D KEYS; **** = ALL MODIFICATIONS). CONSULT FACTORY FOR MODS.
 - 4. FOR CONTACT AND WIRE PERFORMANCE AND APPLICATION CHARACTERISTICS SEE ENVELOPE DRAWINGS 0425-015-0000.
 - 3. ITEMS SOLD SEPARATELY: SECONDARY WEDGE LOCK (WV-18P)
 - 2. DIMENSION TOLERANCE: ±.025 [.64].
 - 1. ALL DIMENSIONS ARE INCHES [mm].
- NOTES: UNLESS OTHERWISE SPECIFIED

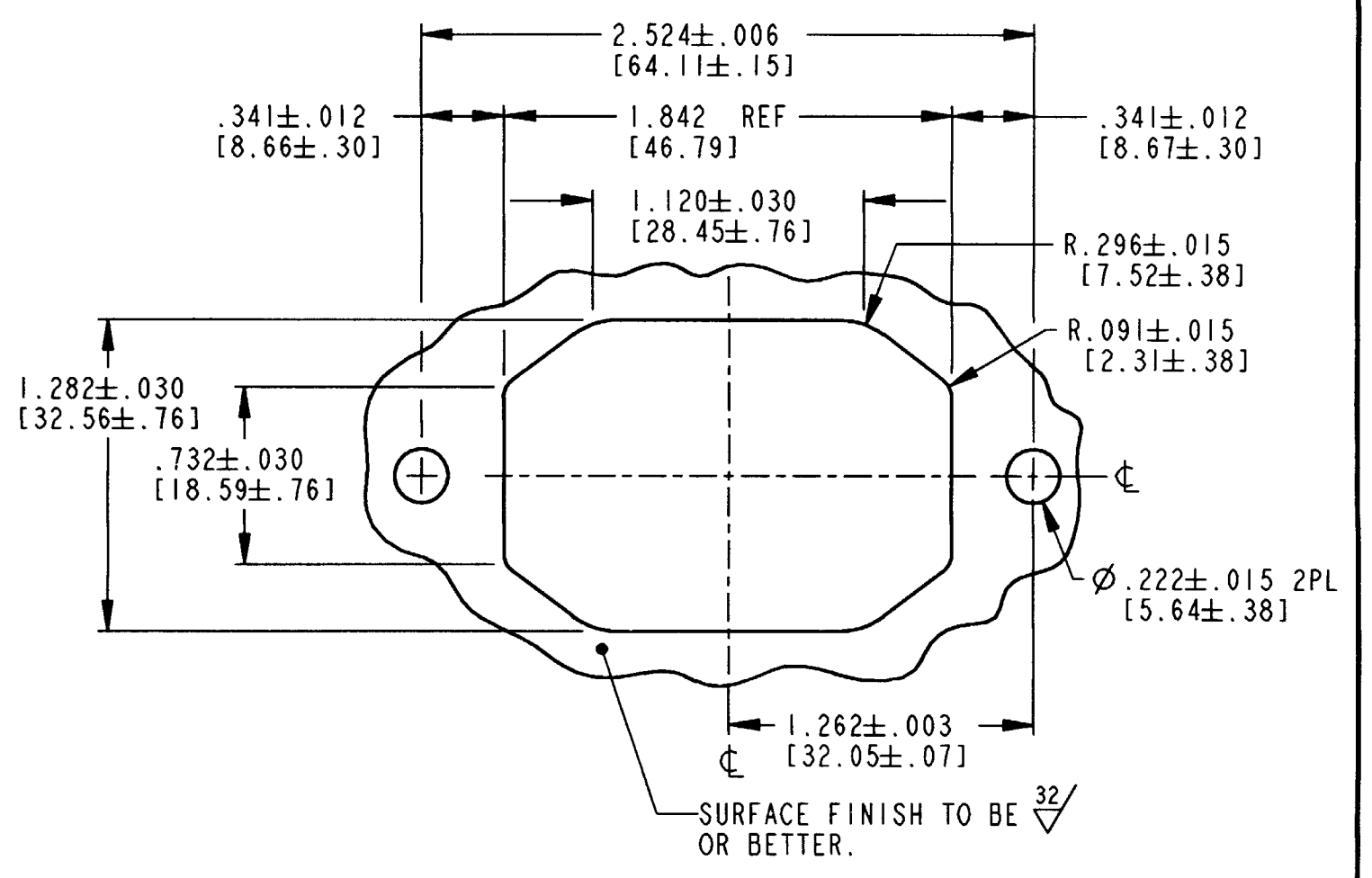


CONTACT SIZE	MIN. INSUL. O.D.	MAX. INSUL. O.D.	WIRE RANGE [mm ²] REF ONLY
16	.088 [2.23]	.145 [3.68]	14-20 AWG [2.0-0.5]

SIGNATURE & DATE		RECEPTACLE FLANGE MOUNT 18 CONTACTS, SIZE 16 KEYS A,B,C & D DTV SERIES ENVELOPE	CP 072	MATL. CODE
DR	S. PALLUTH 03/27/01		The Deutch Company DEUTSCH I.P.D. 3850 INDUSTRIAL AVE. HEMET, CALIF. 92545	
CHK	<i>[Signature]</i> 4/5/00		B DTV02-18P * DWG SIZE CODE 11139 SHEET 1 OF 2	
PE	<i>[Signature]</i> 4/2/01			
APPD	<i>[Signature]</i> 4/5/01			
SCALE	NONE 1:1			



REV	DTV02-18P *	REVISIONS			
NC		SYM	DESCRIPTION	DATE	APPROVED
			SEE SHEET 1	4-5-01	RDR



RECOMMENDED CUTOUT

SIGNATURE & DATE	
DR	S. PALLUTH 03/27/01
CHK	<i>R. Miller</i> 4/5/01
PE	<i>S. Palluth</i> 4/2/01
APPD	<i>D. May</i> 4/2/01
SCALE	NONE

RECEPTACLE
FLANGE MOUNT
18 CONTACTS, SIZE 16
KEYS A, B, C & D
DTV SERIES

ENVELOPE

CP 072	MATL. CODE
The Deutsch Company	
DEUTSCH I.P.D. 3850 INDUSTRIAL AVE. HEMET, CALIF. 92545	
B	DTV02-18P *
DWG SIZE	CODE 11139 SHEET 2 OF 2

X-ON Electronics

Largest Supplier of Electrical and Electronic Components

Click to view similar products for [Automotive Connectors](#) category:

Click to view products by [TE Connectivity](#) manufacturer:

Other Similar products are found below :

[003-018-000](#) [60403001](#) [60993906-B](#) [M902-2131](#) [M902-2161](#) [M902-2344](#) [72.330.1035.1](#) [73.353.4028.0](#) [F119300-B](#) [F166900](#) [F258300-B](#)
[F358300-B](#) [F407400](#) [F444110](#) [F487000](#) [F509500B-B](#) [827153-1](#) [8N1515-32-24P](#) [9-1326729-8](#) [925474-1](#) [928905-1](#) [964562-4](#) [968782-1](#)
[GT17SA-8DS-HU](#) [98891-1012](#) [98947-1016](#) [12004147](#) [12004475-L](#) [12010290](#) [12010309-B](#) [12015454](#) [12020219-B](#) [12041318-B](#) [12052225-](#)
[L](#) [12052466](#) [12064869](#) [12004327-B](#) [12015308](#) [12015384](#) [12015909](#) [1-21030-1](#) [12041254](#) [12041318](#) [12047946-B](#) [12047957](#) [12047957-L](#)
[12059473](#) [12066261](#) [12110546](#) [12110546-B](#)