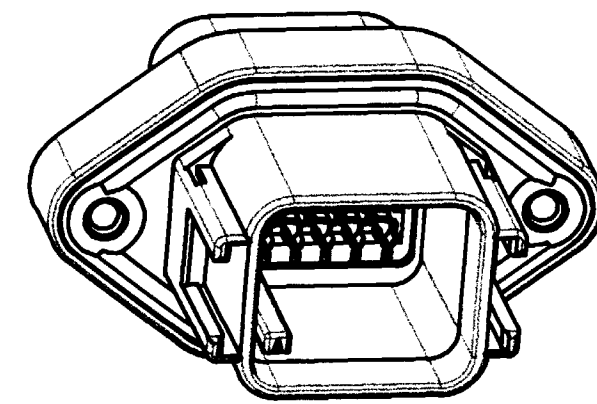


REV	DTV02-18P*	REVISIONS			
NC		SYM	DESCRIPTION	DATE	APPROVED
		NC	NEW RELEASE PER E.O. P17206	4-5-01	ADK

- 8. MATERIAL: HOUSING: PLASTIC; GROMMET/SEAL: RUBBER; THREADED INSERT: STEEL
  - 7. MAX. ACCEPTABLE THICKNESS OF MOUNTING WALL IS .195 [4.95 mm].
  - 6. RECOMMENDED TORQUE VALUE FOR SCREW: 19.91±2.21 IN/LB [2.25±0.25Nm]
  - 5. THIS RECEPTACLE MATES WITH DTV06-18S\*-\*\*\*\* PLUG. (\* = A,B,C,D KEYS; \*\*\*\* = ALL MODIFICATIONS). CONSULT FACTORY FOR MODS.
  - 4. FOR CONTACT AND WIRE PERFORMANCE AND APPLICATION CHARACTERISTICS SEE ENVELOPE DRAWINGS 0425-015-0000.
  - 3. ITEMS SOLD SEPARATELY: SECONDARY WEDGE LOCK (WV-18P)
  - 2. DIMENSION TOLERANCE: ±.025 [.64].
  - 1. ALL DIMENSIONS ARE INCHES [mm].
- NOTES: UNLESS OTHERWISE SPECIFIED



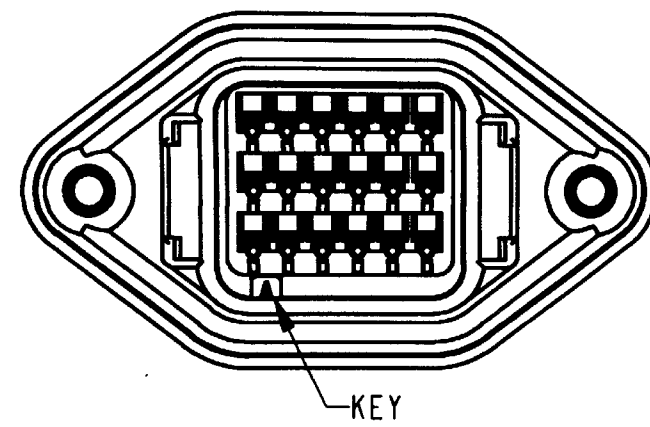
CONTACT SIZE	MIN. INSUL. O.D.	MAX. INSUL. O.D.	WIRE RANGE [mm <sup>2</sup> ] REF ONLY
16	.088 [2.23]	.145 [3.68]	14-20 AWG [2.0-0.5]

SIGNATURE & DATE	
DR	S. PALLUTH 03/27/01
CHK	ADK 4/5/01
PE	S. PALLUTH 4/2/01
APPD	ADK 4/5/01
SCALE	NONE 1:1

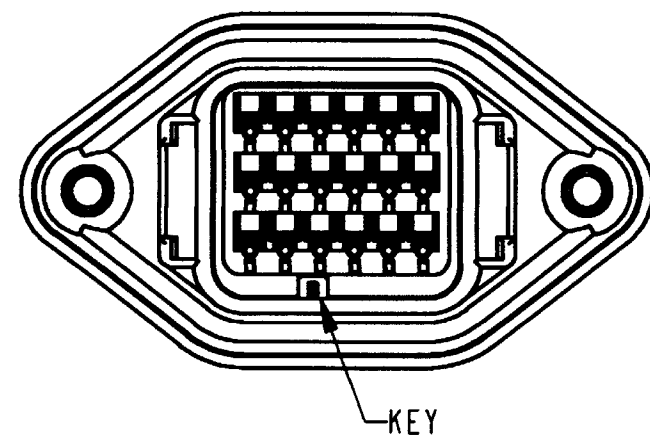
RECEPTACLE  
FLANGE MOUNT  
18 CONTACTS, SIZE 16  
KEYS A, B, C & D  
DTV SERIES

ENVELOPE

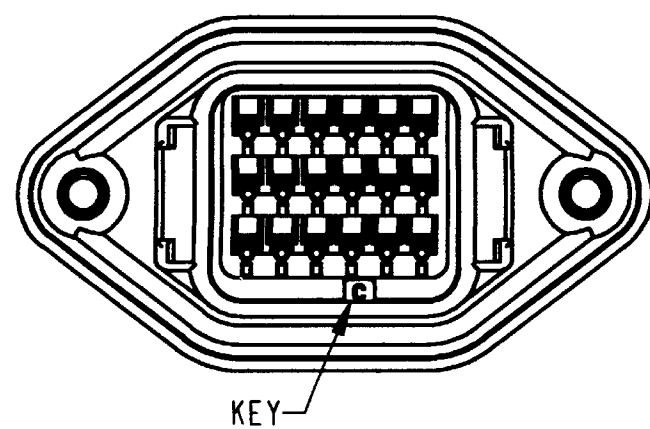
CP 072	MATL. CODE
<b>The Deutch Company</b> DEUTSCH I.P.D. 3850 INDUSTRIAL AVE. HEMET, CALIF. 92545	
<b>B</b>	<b>DTV02-18P*</b>
DWG SIZE	CODE 11139 SHEET 1 OF 2



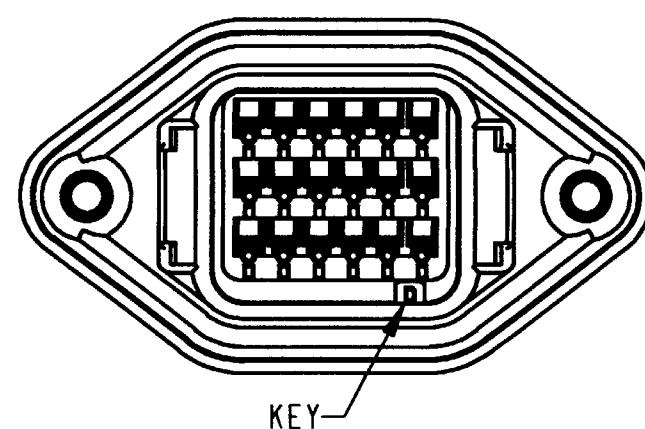
DTV02-18PA  
KEY ARRANGEMENT -A-  
COLOR: GREY



DTV02-18PB  
KEY ARRANGEMENT -B-  
COLOR: BLACK



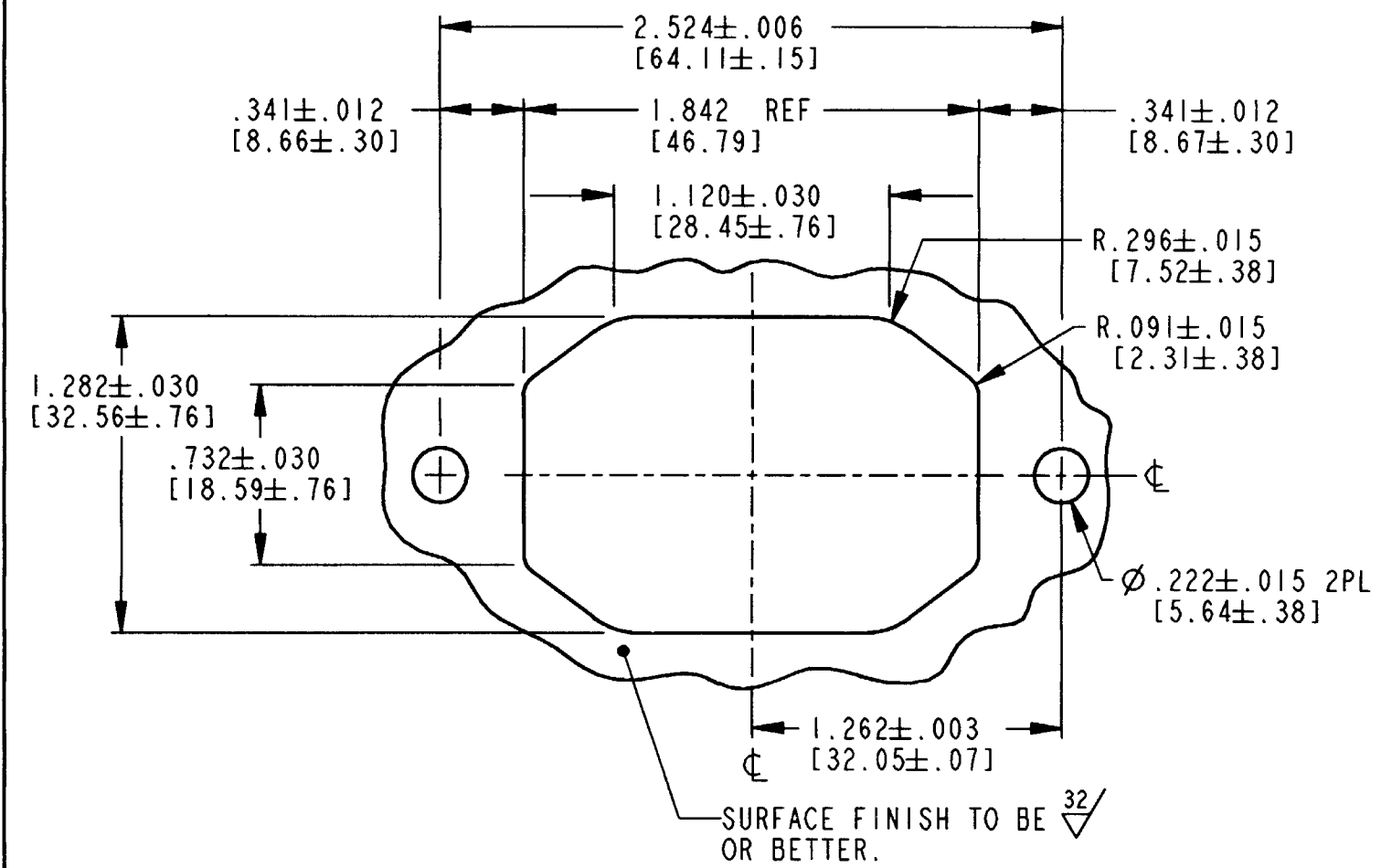
DTV02-18PC  
KEY ARRANGEMENT -C-  
COLOR: GREEN



DTV02-18PD  
KEY ARRANGEMENT -D-  
COLOR: BROWN

NOTES:

REV NC	DTV02-18P *	REVISIONS		
SYM	DESCRIPTION	DATE	APPROVED	
	SEE SHEET 1	4-5-01	RDR	



**RECOMMENDED CUTOUT**

SIGNATURE & DATE	
DR	S. PALLUTH 03/27/01
CHK	<i>[Signature]</i> 4/5/01
PE	<i>[Signature]</i> 4/2/01
APPD	<i>[Signature]</i> 4/2/01
SCALE	NONE

RECEPTACLE  
FLANGE MOUNT  
18 CONTACTS, SIZE 16  
KEYS A, B, C & D  
DTV SERIES

ENVELOPE

CP 072	MATL. CODE
<b>The Deutch Company</b> DEUTSCH I.P.D. 3850 INDUSTRIAL AVE. HEMET, CALIF. 92545	
<b>B</b>	<b>DTV02-18P *</b>
DWG SIZE	CODE 11139 SHEET 2 OF 2

## X-ON Electronics

Largest Supplier of Electrical and Electronic Components

*Click to view similar products for [Automotive Connectors](#) category:*

*Click to view products by [TE Connectivity](#) manufacturer:*

Other Similar products are found below :

[003-018-000](#) [60403001](#) [60993906-B](#) [M902-2131](#) [M902-2161](#) [72.330.1035.1](#) [73.353.4028.0](#) [F119300-B](#) [F166900](#) [F258300-B](#) [F358300-B](#)  
[F407400](#) [F444110](#) [F487000](#) [F509500B-B](#) [827153-1](#) [8N1515-32-24P](#) [9-1326729-8](#) [925474-1](#) [928905-1](#) [964562-4](#) [968782-1](#) [GT17SA-8DS-](#)  
[HU](#) [98891-1012](#) [98947-1016](#) [12004147](#) [12004475-L](#) [12010290](#) [12010309-B](#) [12015454](#) [12020219-B](#) [12020308](#) [12041318-B](#) [12052225-L](#)  
[12052466](#) [12059125](#) [12064869](#) [12004327-B](#) [12010503-B](#) [12015308](#) [12015384](#) [12015909](#) [1-21030-1](#) [12041254](#) [12041318](#) [12047946-B](#)  
[12047957](#) [12047957-L](#) [12059473](#) [12066261](#)