



Raychem | Raychem DWFR

TE Internal #: EH2288-000

Raychem DWFR, Heat Shrink Tubing, Black, Dual Wall Type, 3 Expanded Inside Diameter (Min) .118 Expanded Inside Diameter (Min)

[View on TE.com >](#)

Heat Shrink Tubing



Primary Product Color: **Black**

Wall Type: **Dual**

Expanded Inside Diameter (Min): **3 mm [.118 in]**

Recovered Inside Diameter (Max): **1 mm [.039 in]**

Shrink Ratio: **3:1**

Features

Product Type Features

Product Family	DWFR
Wall Type	Dual

Electrical Characteristics

Voltage (Max)	.6 kV
---------------	-------

Body Features

Primary Product Color	Black
Shrink Ratio	3:1
Primary Product Material	Irradiated Modified Polyolefin
Flexibility	Semi-Flexible

Dimensions

Recovered Wall Thickness (Tolerance)	.25 mm[.01 in]
Cut Length	1220 mm[48 in]
Recovered Wall Thickness (Nominal)	1.12 mm[.044 in]
Expanded Inside Diameter (Min)	3 mm[.118 in]
Recovered Inside Diameter (Max)	1 mm[.039 in]
Heat Shrink Tubing Size Range	1 – 3 mm[.039 – .118 in]

Usage Conditions



Shrink Temperature (Min)	60 °C
Fluid Resistance	Moisture/Spray Protection, Splash Protection
Heat Shrink Tubing Flammability	Highly Flame-Retardant
Operating Temperature Range	-40 – 110 °C
Heat Shrink Tubing Resistance	Fluids, Mechanical Damage, Strain Relief
Recovery Temperature	110 °C

Product Availability

Applicable Region	Global
-------------------	--------

Packaging Features

Packaging Method	Bag & Box
------------------	-----------

Other

Meets Low Outgassing Requirements	No
Product Source	US

Product Compliance

[For compliance documentation, visit the product page on TE.com>](#)

EU RoHS Directive 2011/65/EU	Compliant
EU ELV Directive 2000/53/EC	Compliant
China RoHS 2 Directive MIIT Order No 32, 2016	No Restricted Materials Above Threshold
EU REACH Regulation (EC) No. 1907/2006	Current ECHA Candidate List: JUL 2021 (219) Candidate List Declared Against: JUL 2021 (219) Does not contain REACH SVHC
Halogen Content	Not Low Halogen - contains Br or Cl > 900 ppm.
Solder Process Capability	Not applicable for solder process capability

Product Compliance Disclaimer

This information is provided based on reasonable inquiry of our suppliers and represents our current actual knowledge based on the information they provided. This information is subject to change. The part numbers that TE has identified as EU RoHS compliant have a maximum concentration of 0.1% by weight in homogenous materials for lead, hexavalent chromium, mercury, PBB, PBDE, DBP, BBP, DEHP, DIBP, and 0.01% for cadmium, or qualify for an exemption to these limits as defined in the Annexes of Directive 2011/65/EU (RoHS2). Finished electrical and electronic equipment products will be CE marked as required by Directive 2011/65/EU. Components may not be CE marked. Additionally, the part numbers that TE has identified as EU ELV compliant have a maximum concentration of 0.1% by weight in homogenous materials for lead, hexavalent chromium, and mercury, and 0.01% for cadmium, or qualify for an exemption to these limits as defined in the Annexes of Directive 2000/53/EC (ELV). Regarding the REACH Regulation, the information TE provides on SVHC in articles for this part number is based on the latest European Chemicals Agency (ECHA) 'Guidance on

requirements for substances in articles' posted at this URL: <https://echa.europa.eu/guidance-documents/guidance-on-reach>

Compatible Parts



TE Part # 1217384-1
AMVAR SPL 600-3000 7 SERR TPBR



TE Part # 280538-1
AMPLIVAR Splice, unplated version



TE Part # 2280355-1
220 V MODEL 17



TE Part # 529535-2
RBK ILS PROCESSOR MK 4



TE Part # 2234800-1
RBK-X1 STD



TE Part # 2234800-2
RBK-X1 CE STD



TE Part # 2280355-3
110 V MODEL 17



TE Part # 2280355-4
110 V MODEL 17 REVERSE



TE Part # 2326489-1
MODEL 105 TUNNEL OVEN, 36" ENTRY, STAND



TE Part # 2375310-1
XB17 Belt Heater, 220V



TE Part # 2375310-2
XB17 Belt Heater, 110V



TE Part # 2375320-1
XB19 Belt Heater, STD



TE Part # 2375320-2
XB19 Belt Heater, 150mm (6") Version



TE Part # 2376800-1
RBK-X1C STD



TE Part # 2376800-2
RBK-X1C CE STD



TE Part # 2394980-1
MOD 105 TUN OVEN, 69" ENTRY, STARDARD




TE Part # 529535-5
RBK-MK 4 EXTERNAL RELEASE + FRONT E-STOP



TE Part # 529535-6
RBK-MK 4 FRONT E-STOP

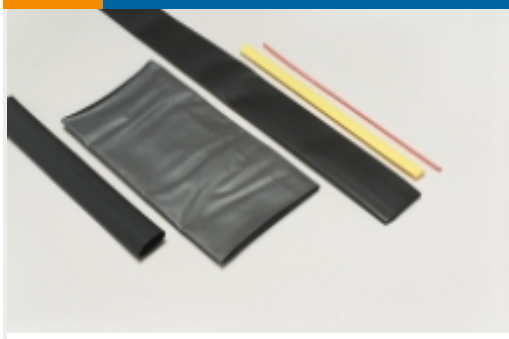


TE Part # 529535-7
RBK-MK 4 INCLUDED AIR COOLING



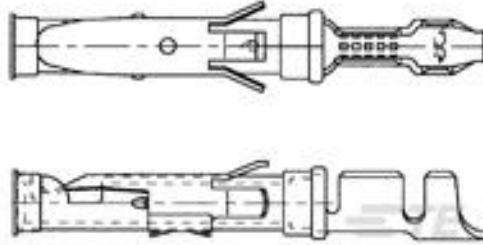
TE Part # 529535-8
RBK-MK 4 EXTERNAL RELEASE + AIR COOLING

Also in the Series | Raychem DWFR



Heat Shrink Tubing(16)

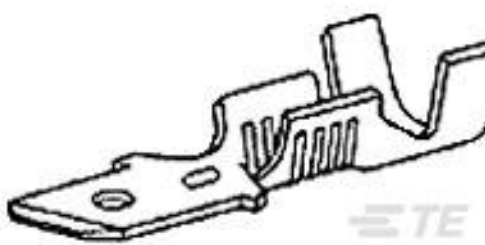
Customers Also Bought



TE Part #163084-2
062 SOC.ASS. TYP3+



TE Part #36921
TERMINAL,SOLIS R 2/0 1/4



TE Part #61687-2
FASTON .187 TAB 18-14 AWG TPBR



TE Part #W3S-P012
WEDGE LOCK, 3P, PLG, GRN, SL RET, DT




TE Part #1623894-4
416P 10K



TE Part #0243233002
44A0111-10-2



TE Part #NB07402001
HTAT-12/3-0-STK



TE Part #11031639-00

Documents

Product Drawings

DWFR-3/1-0-STK

English

Datasheets & Catalog Pages

DWFR Heat Shrink Tubing product flyer

English



[Measuring_Single_Wall_Tubing](#)

English

[Selecting_Correct_Tubing](#)

English

X-ON Electronics

Largest Supplier of Electrical and Electronic Components

Click to view similar products for [Heat Shrink Tubing and Sleeves](#) category:

Click to view products by [TE Connectivity](#) manufacturer:

Other Similar products are found below :

[5685710001](#) [CR9960-000](#) [5734012004](#) [607381P039](#) [611112-000](#) [6284592002](#) [CX4711-000](#) [CZ1420-000](#) [D-306-38](#) [770-006S302](#) [770-010Y106W1](#) [770-018S103](#) [770-018S202W1](#) [770-018S205W1](#) [770-020S704W1](#) [770-020S705](#) [MFP-3/64"-Clear](#) [790-3012](#) [MHHT-4-15K2-G-104](#) [8003012003](#) [MIL-LT-1-1/2-4-SP](#) [MIL-LT-1-1/2-9-STK](#) [MIL-LT-1/2-2-STK](#) [MIL-LT-3-0-SP](#) [MIL-LT-3/32-0-SP](#) [MIL-LT-3/32-6-SP](#) [MIL-LT-3/4-4-STK](#) [MIL-LT-3/4-6-SP](#) [839602-000](#) [8423-6](#) [FP301-116-48"-Clear](#) [FP301-12-6"-Clear](#) [FP301-1/4-48"-White-Hdr](#) [FP301-18-48"-Black-Hdr](#) [FP301-1/8-6"-Black](#) [FP301-18-6"-Black-Bulk](#) [FP301-316-48"-Blue-Hdr](#) [912229N002](#) [R280637030](#) [HDCW-5515-1000](#) [HDT-0300-48A-BLACK](#) [HDT-0400-48A-Black](#) [HDT-0800-48A-RED](#) [HDT1100-48A-BLK](#) [HDT1500-48A-BLK](#) [HDT-2000-48A-Black](#) [RHW-70/20-1200/ADH-0](#) [DWP-125-0.450-4-55MM-CS879](#) [156082-000](#) [MT5500-3/8-X-SP](#)