

DWFR-52/13-0-STK ✓ ACTIVE

Raychem | Raychem DWFR

TE Internal #: EH2301-000

Raychem DWFR, Heat Shrink Tubing, Black, Dual Wall Type, 52 Expanded Inside Diameter (Min) 2.047 Expanded Inside Diameter (Min)

[View on TE.com >](#)



Heat Shrink Tubing



Primary Product Color: **Black**

Wall Type: **Dual**

Expanded Inside Diameter (Min): **52 mm [2.047 in]**

Recovered Inside Diameter (Max): **13 mm [.512 in]**

Shrink Ratio: **4:1**

Features

Product Type Features

Product Family	DWFR
Wall Type	Dual

Electrical Characteristics

Voltage (Max)	.6 kV
---------------	-------

Body Features

Primary Product Color	Black
Shrink Ratio	4:1
Primary Product Material	Irradiated Modified Polyolefin
Flexibility	Semi-Flexible

Dimensions

Recovered Wall Thickness (Tolerance)	.5 mm[.02 in]
Cut Length	1220 mm[48 in]
Recovered Wall Thickness (Nominal)	2.54 mm[.1 in]
Expanded Inside Diameter (Min)	52 mm[2.047 in]
Recovered Inside Diameter (Max)	13 mm[.512 in]
Heat Shrink Tubing Size Range	13 – 52 mm[.512 – 2.047 in]

Usage Conditions



Shrink Temperature (Min)	60 °C
Fluid Resistance	Moisture/Spray Protection, Splash Protection
Heat Shrink Tubing Flammability	Highly Flame-Retardant
Operating Temperature Range	-40 – 110 °C
Heat Shrink Tubing Resistance	Fluids, Mechanical Damage, Strain Relief
Recovery Temperature	110 °C

Product Availability

Applicable Region	Global
-------------------	--------

Packaging Features

Packaging Method	Bag & Box
------------------	-----------

Other

Meets Low Outgassing Requirements	No
Product Source	US

Product Compliance

[For compliance documentation, visit the product page on TE.com>](#)

EU RoHS Directive 2011/65/EU	Compliant
EU ELV Directive 2000/53/EC	Compliant
China RoHS 2 Directive MIIT Order No 32, 2016	No Restricted Materials Above Threshold
EU REACH Regulation (EC) No. 1907/2006	Current ECHA Candidate List: JUL 2021 (219) Candidate List Declared Against: JUL 2021 (219) Does not contain REACH SVHC
Halogen Content	Not Low Halogen - contains Br or Cl > 900 ppm.
Solder Process Capability	Not applicable for solder process capability

Product Compliance Disclaimer

This information is provided based on reasonable inquiry of our suppliers and represents our current actual knowledge based on the information they provided. This information is subject to change. The part numbers that TE has identified as EU RoHS compliant have a maximum concentration of 0.1% by weight in homogenous materials for lead, hexavalent chromium, mercury, PBB, PBDE, DBP, BBP, DEHP, DIBP, and 0.01% for cadmium, or qualify for an exemption to these limits as defined in the Annexes of Directive 2011/65/EU (RoHS2). Finished electrical and electronic equipment products will be CE marked as required by Directive 2011/65/EU. Components may not be CE marked. Additionally, the part numbers that TE has identified as EU ELV compliant have a maximum concentration of 0.1% by weight in homogenous materials for lead, hexavalent chromium, and mercury, and 0.01% for cadmium, or qualify for an exemption to these limits as defined in the Annexes of Directive 2000/53/EC (ELV). Regarding the REACH Regulation, the information TE provides on SVHC in articles for this part number is based on the latest European Chemicals Agency (ECHA) 'Guidance on

requirements for substances in articles' posted at this URL: <https://echa.europa.eu/guidance-documents/guidance-on-reach>

Compatible Parts



TE Part # 2280355-1
220 V MODEL 17



TE Part # 529535-2
RBK ILS PROCESSOR MK 4



TE Part # 2234800-1
RBK-X1 STD



TE Part # 2234800-2
RBK-X1 CE STD



TE Part # 2280355-3
110 V MODEL 17



TE Part # 2280355-4
110 V MODEL 17 REVERSE



TE Part # 2326489-1
MODEL 105 TUNNEL OVEN, 36" ENTRY, STAND A



TE Part # 2375310-1
XB17 Belt Heater, 220V



TE Part # 2375310-2
XB17 Belt Heater, 110V



TE Part # 2375320-1
XB19 Belt Heater, STD



TE Part # 2375320-2
XB19 Belt Heater, 150mm (6") Version



TE Part # 2376800-1
RBK-X1C STD



TE Part # 2376800-2
RBK-X1C CE STD



TE Part # 2394980-1
MOD 105 TUN OVEN, 69" ENTRY, STANDARD



TE Part # 529535-5
RBK-MK 4 EXTERNAL RELEASE + FRONT E-STOP



TE Part # 529535-6
RBK-MK 4 FRONT E-STOP



TE Part # 529535-7
RBK-MK 4 INCLUDED AIR COOLING



TE Part # 529535-8
RBK-MK 4 EXTERNAL RELEASE + AIR COOLING

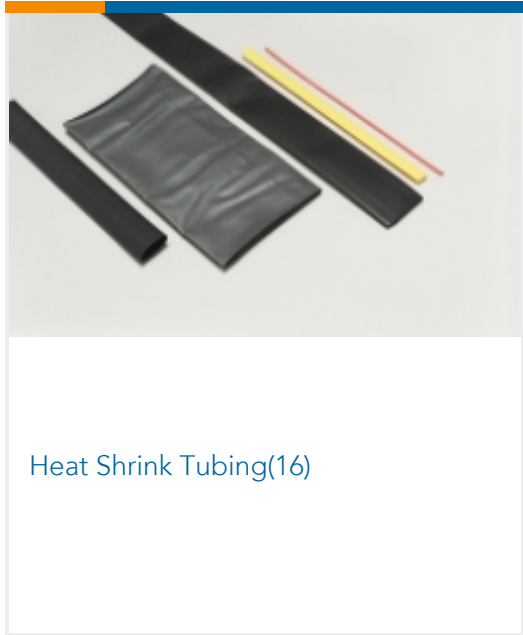


TE Part # 955018-000
CLTEQ-M105-TUNNEL-OVEN



TE Part # 714529-000
CLTEQ-M19-BELT-HTR

Also in the Series | Raychem DWFR



Heat Shrink Tubing(16)

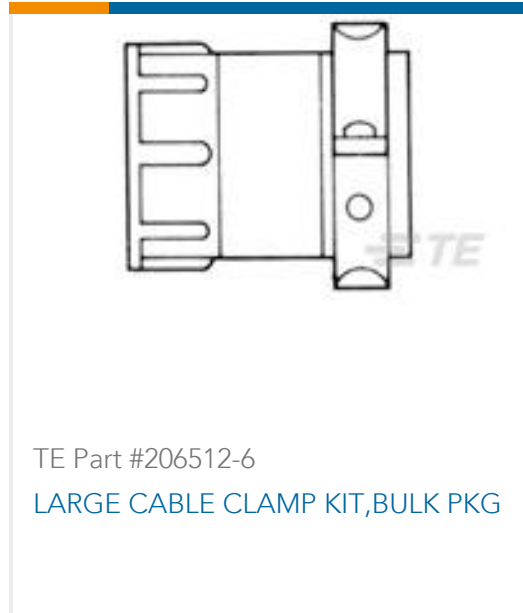
Customers Also Bought



TE Part #206438-1
CPC RECPT ASSEMBLY SIZE 23-57



TE Part #35316
TERMINAL,PIDG R 16-14HD 1/2



TE Part #206512-6
LARGE CABLE CLAMP KIT,BULK PKG



TE Part #794617-4
4POS,MICRO MNL,RCPT HSG



TE Part #205089-1
HD 20 PIN CONTACT



TE Part #205090-1
HD 20 SOCKET CONTACT



TE Part #DT04-12PB-BL04
REC, 12P, BLK, N, ENH KEY, FLANGE, B



TE Part #0462-201-1631
SOC, SOLID, SIZE 16, 16-20AWG, AU



TE Part #1062-16-0644
SOC, SF, SIZE 16, 16-20, AU/SN



TE Part #DT6S-BT-BK
BOOT, 6P, PLG, ST, BLK



Documents

Product Drawings

[DWFR-52/13-0-STK](#)

English

Datasheets & Catalog Pages

[DWFR Heat Shrink Tubing product flyer](#)

English

[Measuring_Single_Wall_Tubing](#)

English

[Selecting_Correct_Tubing](#)

English

X-ON Electronics

Largest Supplier of Electrical and Electronic Components

Click to view similar products for [Heat Shrink Tubing and Sleeves](#) category:

Click to view products by [TE Connectivity](#) manufacturer:

Other Similar products are found below :

[5685710001](#) [CR9960-000](#) [5734012004](#) [607381P039](#) [611112-000](#) [6284592002](#) [CX4711-000](#) [CZ1420-000](#) [D-306-38](#) [770-006S302](#) [770-010Y106W1](#) [770-018S103](#) [770-018S202W1](#) [770-018S205W1](#) [770-020S704W1](#) [770-020S705](#) [MFP-3/64"-Clear](#) [790-3012](#) [MHHT-4-15K2-G-104](#) [8003012003](#) [MIL-LT-1-1/2-4-SP](#) [MIL-LT-1-1/2-9-STK](#) [MIL-LT-1/2-2-STK](#) [MIL-LT-3-0-SP](#) [MIL-LT-3/32-0-SP](#) [MIL-LT-3/32-6-SP](#) [MIL-LT-3/4-4-STK](#) [MIL-LT-3/4-6-SP](#) [839602-000](#) [8423-6](#) [FP301-116-48"-Clear](#) [FP301-12-6"-Clear](#) [FP301-1/4-48"-White-Hdr](#) [FP301-18-48"-Black-Hdr](#) [FP301-1/8-6"-Black](#) [FP301-18-6"-Black-Bulk](#) [FP301-316-48"-Blue-Hdr](#) [912229N002](#) [R280637030](#) [HDCW-5515-1000](#) [HDT-0300-48A-BLACK](#) [HDT-0400-48A-Black](#) [HDT-0800-48A-RED](#) [HDT1100-48A-BLK](#) [HDT1500-48A-BLK](#) [HDT-2000-48A-Black](#) [RHW-70/20-1200/ADH-0](#) [DWP-125-0.450-4-55MM-CS879](#) [156082-000](#) [MT5500-3/8-X-SP](#)