

*** EACH SET CONTAINS :-
4 NOS WALL MOUNTING & ACCESSORIES AS PER BOM**

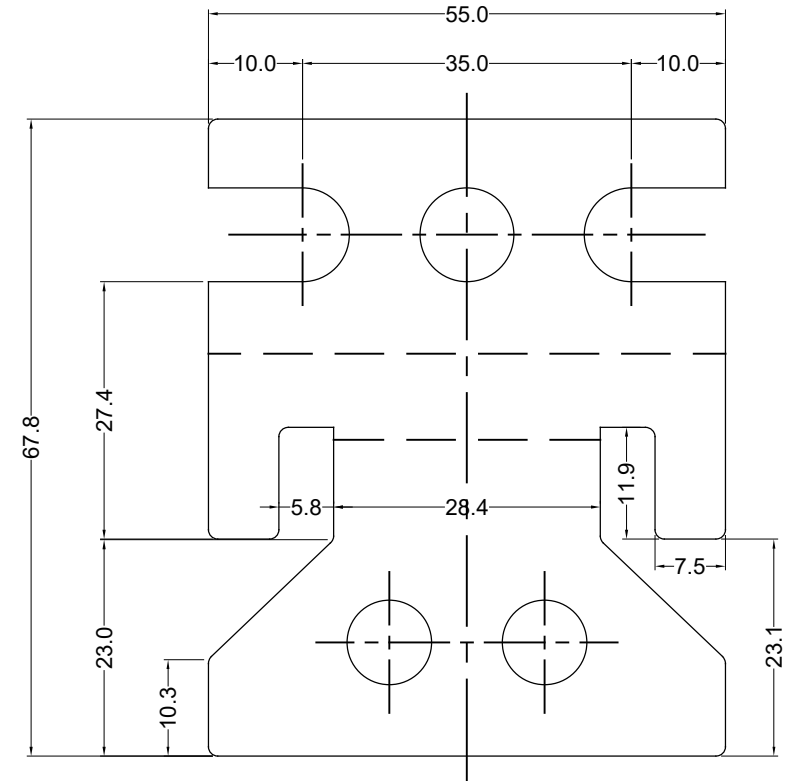
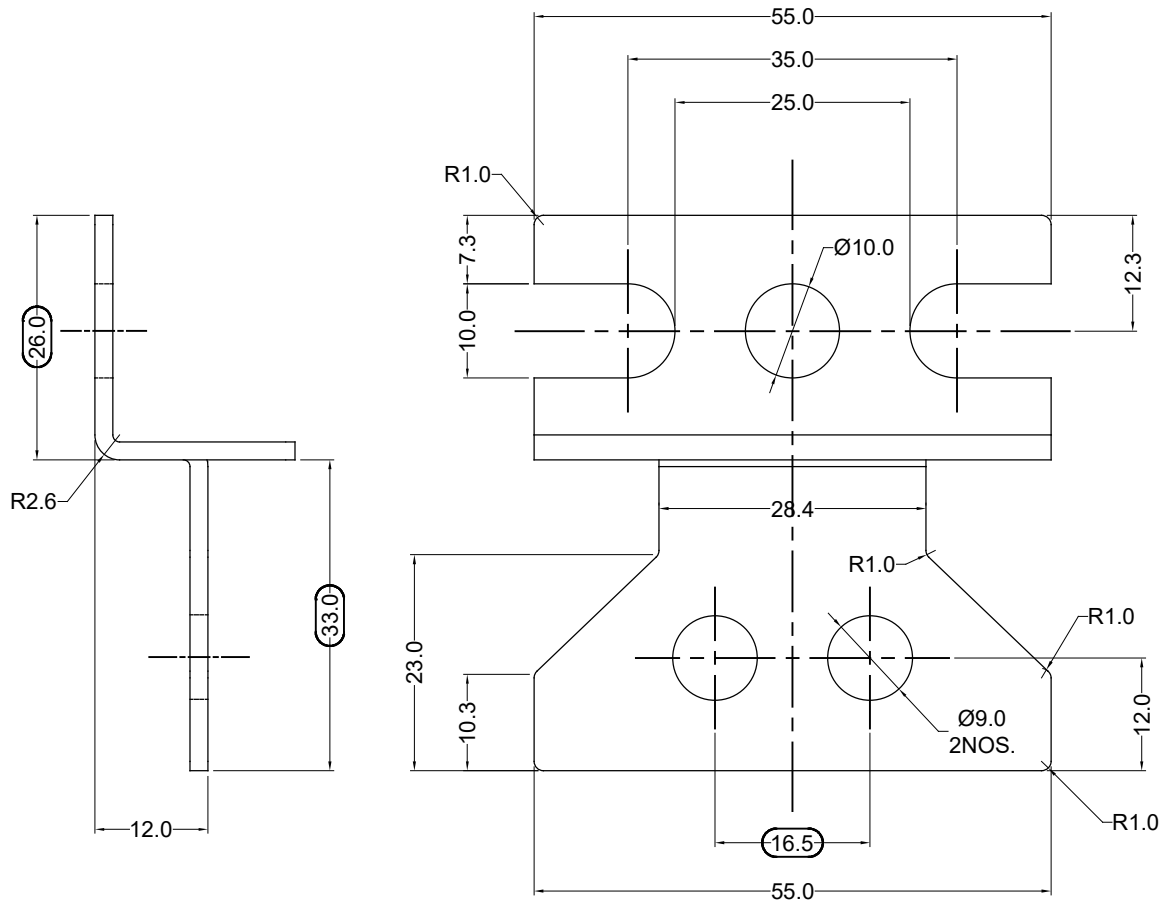
PACKAGING INSTRUCTION:

1. POLYBAG SIZE: 5" X 8"
2. FOLD THE ASSEMBLY INSTRUCTION SHEET IN HALF
3. PACK ALL B.O.M. ITEMS INTO THE POLYBAG

BOX SIZE FROM	BRACKET MATERIAL THICKNESS	FG PCN	
		S.S. 304	S.S. 316
SSJ1 - SSJ9	1.5MM THK.	DAA4101115	DAA4101152
SSJ10 - SSJ18	2.0MM THK.	DAA4101116	DAA4101153

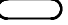
ITEM NO.	DESCRIPTION	MATERIAL	QTY	PCN
1	SSJB WALL MOUNTING BRACKET DWG. SSJB-EXTERNAL BRACKET	SS304 1.5 MM / SS304 2.0 MM	4	REFER DRW. SSJB-EXTERNAL BRACKET
2	FULL THREADED HEXAGONAL SCREW M8X16 (DIN 933)	A2 / SS 304	4	MAA0020249
3	HEXAGONAL PLAIN WASHER (DIN 125)	A2 / SS 304	4	MAE0020323
4	HEXAGONAL NUT (DIN 934)	A2 / SS 304	4	MAB0020228
5	NYLON IP WASHER ID-8.2 / OD-14.5 / 1.5THK	NYLON 6 WHITE	8	JAP0020299
6	ASSEMBLY INSTRUCTION SHEET	A5 SIZED PAPER	1	-

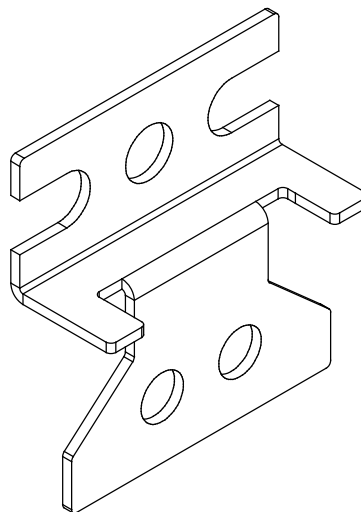
NO.	REV.NO.	DESCRIPTION	DATE	DRAWN	CHECKED
-	-	-	-	-	-
TITLE :-		SS STANDARD JUNCTION BOX WALL MOUNTING BRACKET	DATE	SIGN	NAME
					RRPL DESIGN
MATERIAL		FINISH	21/08/19		PRAN DRAWN
			21/08/19		PRAN CHECKED
					P.W. APPROVED
		Raychem RPG (P) Limited	SCALE	PART NO. (REFER FG PCN TABLE)	
ALL DIMENSION ARE IN MM		Ceat Mahal Annexe, Dr. Annie Besant Road , Worli , Mumbai 40030 Web : www.raychemrpg.com	REV	DRG. NO.	
			00	SSJB-EXTERNAL BRACKET-00	

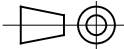


BOX SIZE	BRACKET MATERIAL THICKNESS	PCN	
		S.S. 304	S.S. 316
SSJ1 - SSJ9	1.5MM THK.	HAB0200239	---
SSJ10 - SSJ18	2.0MM THK.	HAB0200240	---

NOTE :-

- 1) ALL EDGES ARE BURR FREE
- 2) NON DIMENSIONAL RADIUS - 0.5mm
- 3) TOLERANCE AS PER DIN ISO 2768-m STD.
- 4)  =Functions-dimensions to be checked (TOLERANCE ±0.10mm)



NO.	REV.NO.	DESCRIPTION	DATE	DRAWN	CHECKED
-	-	-	-	-	-
TITLE :- SS JUNCTION BOX			DATE	SIGN	NAME
MATERIAL SHEET X5CrNi18-10 2 SS 304 / SS 316			12/09/14		RRPL DESIGN
			12/09/14		A.M. CHECKED
 Raychem RPG (P) Limited Ceat Mahal Annexe, Dr. Annie Besant Road , Worli , Mumbai 400030 Web : www.raychemrpg.com					M.S. APPROVED
			SCALE	PARTNO. (REFER PCN TABLE)	
ALL DIMENSION ARE IN MM			REV	DRG. NO.	
-			00	SSJB-EXTERNAL BRACKET	

X-ON Electronics

Largest Supplier of Electrical and Electronic Components

Click to view similar products for [Enclosures, Boxes & Cases](#) *category:*

Click to view products by [TE Connectivity](#) *manufacturer:*

Other Similar products are found below :

[585-R-WH-PK](#) [M-10-PLATED](#) [61000-510-000](#) [C-23 Black Kit](#) [M18-PLTD](#) [M-21-PLATED](#) [63310-01-000](#) [6711GSKT](#) [74257-510-000](#) [CNL-0004](#) [MDC-1183-PLAIN-ALUM](#) [MDC-1183-PTD](#) [MDC-13104-PTD](#) [MDC-973-PTD](#) [76](#) [77153-01-028](#) [FLX6030](#) [83535-01-508](#) [90026-501-000](#) [PS36-200](#) [116-508](#) [120-407](#) [120-910](#) [127-908](#) [130-008](#) [1301170079](#) [1322GSKTEP](#) [1325GSKT3](#) [138-PLAIN](#) [1434-1210](#) [1804RP-RB-PK](#) [190-005](#) [2202307](#) [KAB3321](#) [BLACK](#) [KAB3421](#) [2697466](#) [S52213](#) [2901123](#) [2901699](#) [A0645271](#) [A20P20](#) [2106-IR](#) [PERF-850-PLN](#) [G505025B](#) [2790318](#) [2792057](#) [2890386](#) [2906238](#) [2906241](#) [2906254](#) [2907981](#) [H5031](#) [M-10-LID-PLATED](#)