

| REVISIONS |     |                 |           |     |      |
|-----------|-----|-----------------|-----------|-----|------|
| P         | LTR | DESCRIPTION     | DATE      | DWN | APVD |
|           | 10  | INITIAL RELEASE | 11FEB2020 | GK  | AK   |

NOTES: -

1. CHARACTERS: -

0-9, A-Z, +, -, /, ~, ≡

0, 1, 6 & 9 FOLLOWED BY A FULL STOP.

HEIGHT 2.6 - 2.9 mm

TOLERANCE (AXIAL) ±0.75

(ROTATIONAL) ±5°

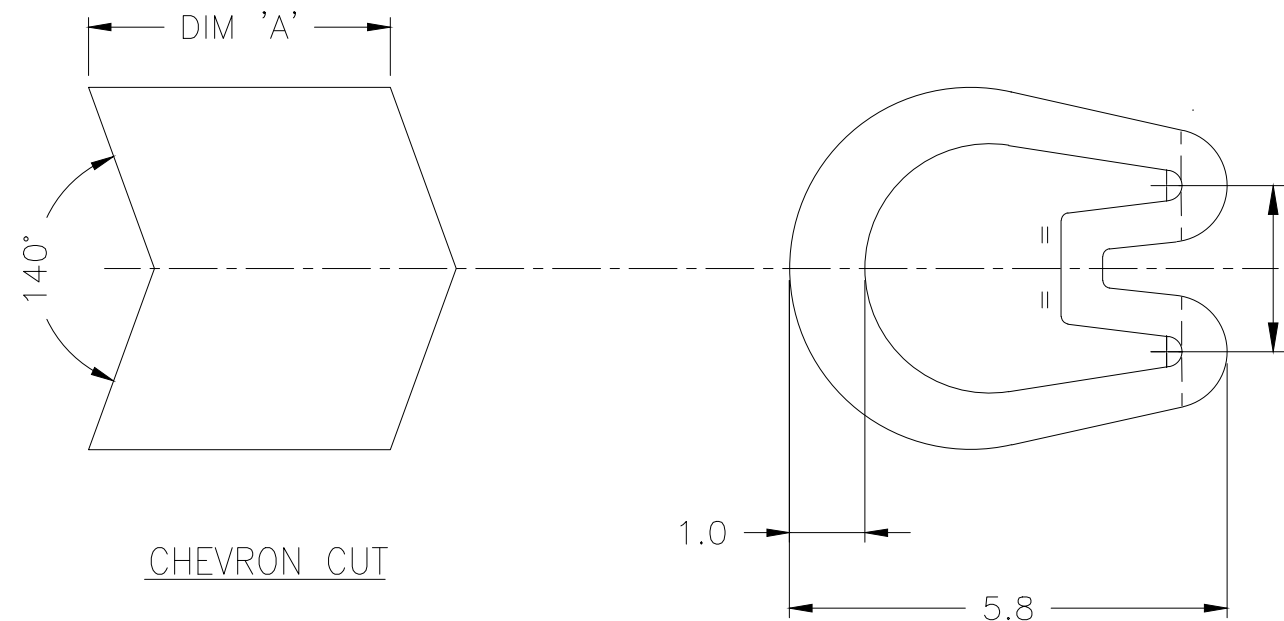
CHEVRON CUT MARKERS: -

CHARACTERS TO BE CENTRALLY DISPOSED ON MARKER FACE AND IN THE ATTITUDE SHOWN RELATIVE TO CHEVRON.

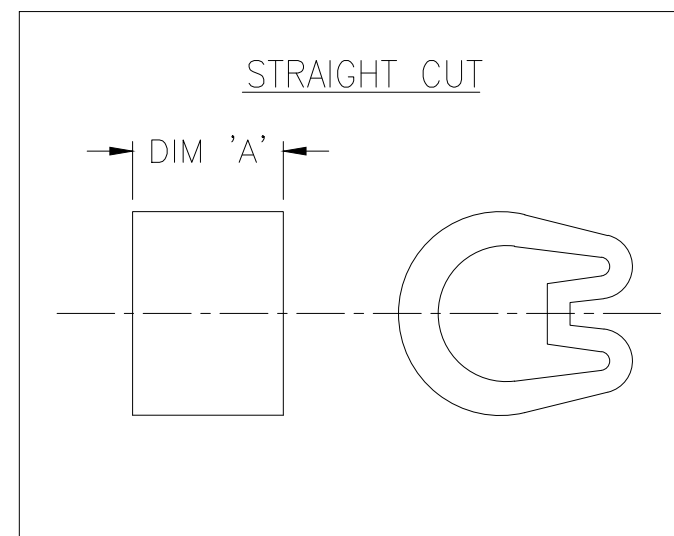
2. MARKER LENGTHS ( DIMENSION 'A'): -

WITH SINGLE MARK 4.00 - 4.75

WITH DOUBLE MARK 6.75 - 7.25



CHEVRON CUT



STRAIGHT CUT

|  |  |                                       |   |                    |                           |           |
|--|--|---------------------------------------|---|--------------------|---------------------------|-----------|
| THIS DRAWING IS A CONTROLLED DOCUMENT. |  | DWN<br>GOPALAKRISHNA H V<br>11FEB2020 | <b>STE</b> TE Connectivity                              |                    |                           |           |
|  |  | CHK<br>ALAN KEAN<br>11FEB2020         |   |                    |                           |           |
| DIMENSIONS:<br>mm                      |  | APVD<br>ALAN KEAN<br>11FEB2020        | NAME<br>MARKER Z TYPE SIZE 13<br>STRAIGHT / CHEVRON CUT |                    |                           |           |
|  |  | PRODUCT SPEC<br>-                     | RESTRICTED TO<br>-                                      |                    |                           |           |
|  |  | APPLICATION SPEC<br>-                 | SIZE<br>A3  | CAGE CODE<br>00779 | DRAWING NO<br>C-1601A0005 |           |
| MATERIAL<br>PVC<br>4.3 - 3.9g/250mm    |  | FINISH<br>-                           | WEIGHT<br>-   | SCALE<br>10:1      | SHEET<br>1 OF 1           | REV<br>10 |
| CUSTOMER DRAWING                       |  |                                       |   |                    |                           |           |

## X-ON Electronics

Largest Supplier of Electrical and Electronic Components

*Click to view similar products for [Wire Labels & Markers](#) category:*

*Click to view products by [TE Connectivity](#) manufacturer:*

Other Similar products are found below :

[89078GBEST](#) [89082GBESR](#) [89082GBEST](#) [PCL025-4](#) [5761-2SF](#) [58400](#) [586R734H02](#) [M1.040.0000.6](#) [CRS-CM5M](#) [CRS-M18M](#) [CS1836-000](#) [CS8626-000](#) [CU6337-000](#) [CU6342-000](#) [CU6343-000](#) [CWD01-0](#) [CWD012-0](#) [CWD012-7](#) [CWD015-3](#) [CWD015-7](#) [CWD02-0](#) [CWD02-3](#) [CWD02-4](#) [CWD02-6](#) [CWD02-8](#) [CWD02-A](#) [CWD02-D](#) [CWD02-H](#) [CWD02-K](#) [CWD02-L](#) [CWD02-M](#) [CWD02-P](#) [CWD02-Q](#) [CWD02-R](#) [CWD02-U](#) [CWD02-W](#) [CWD02-Y](#) [CWD03-+](#) [CWD03-0](#) [CWD03-P](#) [CWD06-0](#) [CWD06-8](#) [CWD06-9](#) [CWD06-L](#) [CWD06-N](#) [CWD09-0](#) [CWD09-5](#) [CWD09-7](#) [6806810001](#) [CZ2857-000](#)