

THIS DRAWING IS UNPUBLISHED.

RELEASED FOR PUBLICATION

© COPYRIGHT 2020 TE Connectivity Ltd.

ALL RIGHTS RESERVED.

REVISIONS

P	LTR	DESCRIPTION	DATE	DWN	APVD
	9	INITIAL CUSTOMER DRAWING	10FEB2020	AFK	LS

NOTES:-

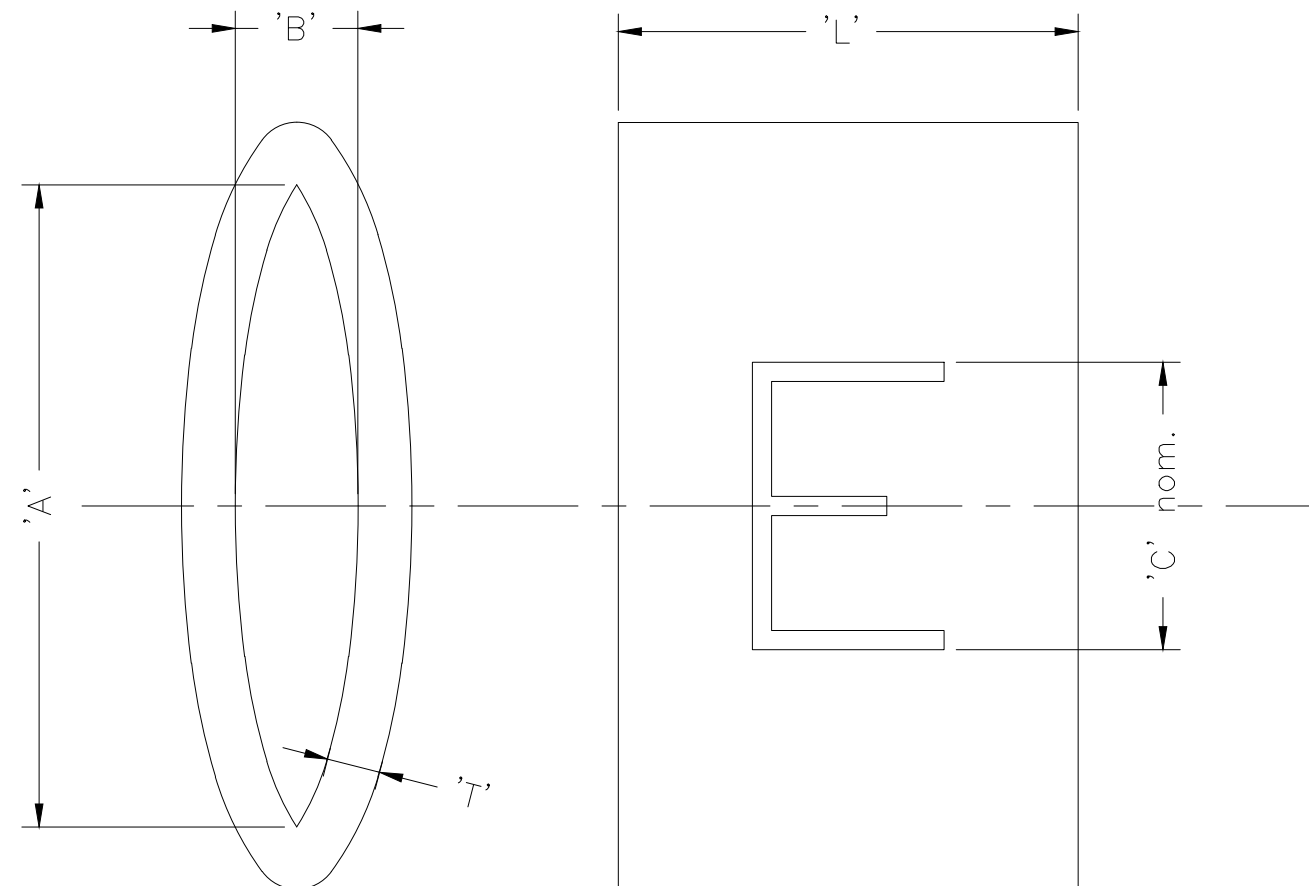
1. CHARACTERS:-

0-9, A-Z, +, -, /, ~ & ±


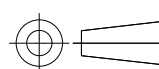
0, 1, 6 & 9 ARE FOLLOWED BY A FULL STOP

TOLERANCE (AXIAL) ±0.75

(ROTATIONAL) ±5°



DESCRIPTION (1st 4 DIGITS)	SIZE	"A"	"B"	CHARACTER HEIGHT "C"	"L"	"T"	WEIGHT / 250mm
1358	30	4.95 - 5.25	1.30 - 1.60	2.4	4.25 - 4.75	0.68 - 0.78	2.94 - 3.24
1361	65	9.90 - 10.2	2.90 - 3.20	4.0	5.50 - 6.00	1.18 - 1.28	9.57 - 10.57

THIS DRAWING IS A CONTROLLED DOCUMENT.		DWN AFK	07FEB2020	 TE Connectivity			
DIMENSIONS: mm		CHK -	-				
 TOLERANCES UNLESS OTHERWISE SPECIFIED: 0 PLC ± - 1 PLC ± - 2 PLC ± - 3 PLC ± - 4 PLC ± - ANGLES ± -		APVD -		PRODUCT SPEC RW-2535			
		MATERIAL PVC		FINISH -		APPLICATION SPEC -	
		WEIGHT SEE TABLE		SIZE A3	CAGE CODE 0198G	DRAWING NO C-1602A0001	SCALE -
		CUSTOMER DRAWING		SHEET 1 OF 1		REV 9	

X-ON Electronics

Largest Supplier of Electrical and Electronic Components

Click to view similar products for [Wire Labels & Markers](#) category:

Click to view products by [TE Connectivity](#) manufacturer:

Other Similar products are found below :

[89078GBEST](#) [89082GBESR](#) [89082GBEST](#) [PCL025-4](#) [5761-2SF](#) [58400](#) [586R734H02](#) [M1.040.0000.6](#) [CRS-CM5M](#) [CRS-M18M](#) [CS1836-000](#) [CS8626-000](#) [CU6337-000](#) [CU6342-000](#) [CU6343-000](#) [CWD01-0](#) [CWD012-0](#) [CWD012-7](#) [CWD015-3](#) [CWD015-7](#) [CWD02-0](#) [CWD02-3](#) [CWD02-4](#) [CWD02-6](#) [CWD02-8](#) [CWD02-A](#) [CWD02-D](#) [CWD02-H](#) [CWD02-K](#) [CWD02-L](#) [CWD02-M](#) [CWD02-P](#) [CWD02-Q](#) [CWD02-R](#) [CWD02-U](#) [CWD02-W](#) [CWD02-Y](#) [CWD03-+](#) [CWD03-0](#) [CWD03-P](#) [CWD06-0](#) [CWD06-8](#) [CWD06-9](#) [CWD06-L](#) [CWD06-N](#) [CWD09-0](#) [CWD09-5](#) [CWD09-7](#) [6806810001](#) [CZ2857-000](#)