

THIS DRAWING IS UNPUBLISHED.

RELEASED FOR PUBLICATION

REVISIONS

© COPYRIGHT 2020 TE Connectivity Ltd.

ALL RIGHTS RESERVED.

P	LTR	DESCRIPTION	DATE	DWN	APVD
	9	INITIAL CUSTOMER DRAWING	10FEB2020	AFK	LS

NOTES:-

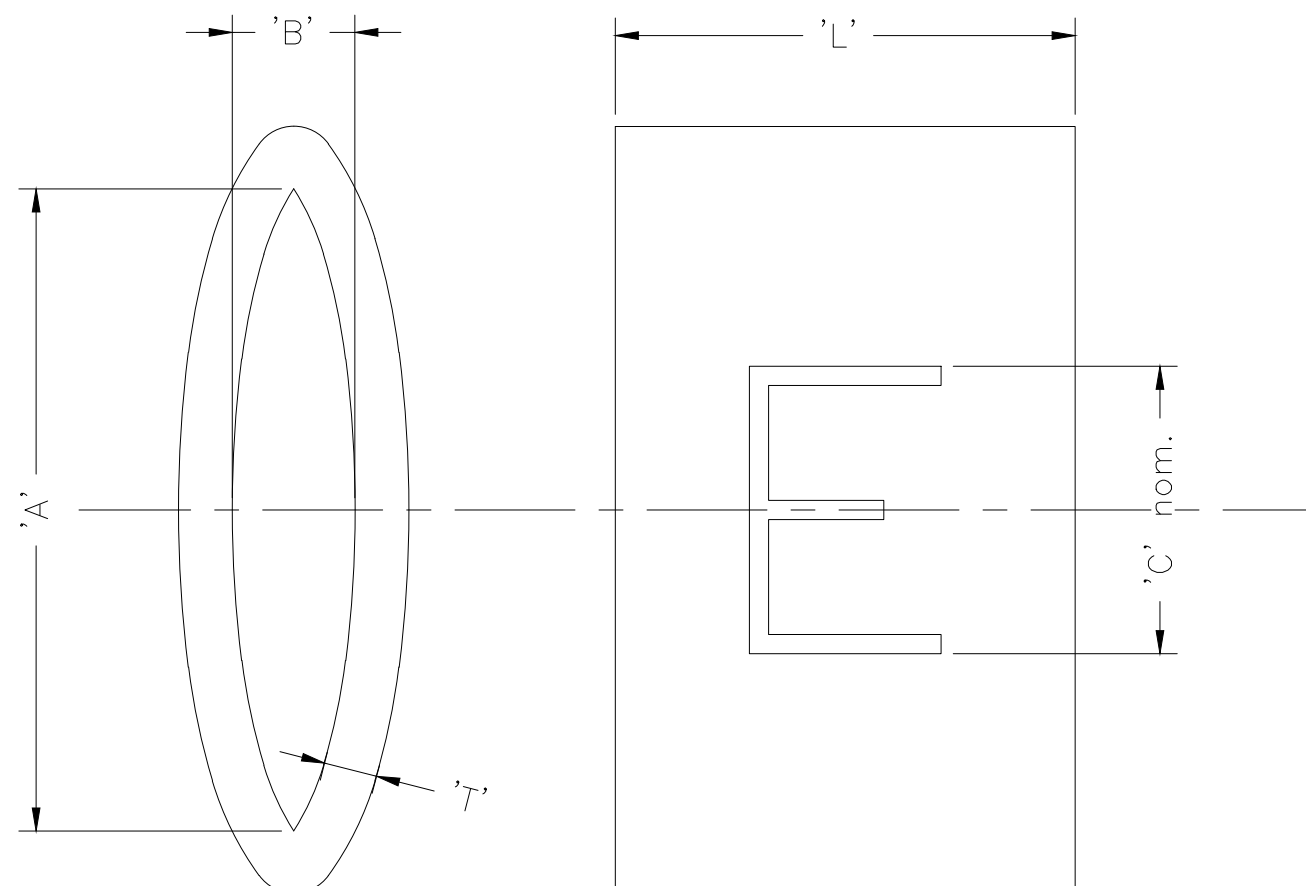
1. CHARACTERS:-

0-9, A-Z, +, -, /, ~ & ±


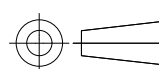
0, 1, 6 & 9 ARE FOLLOWED BY A FULL STOP

TOLERANCE (AXIAL) ±0.75

(ROTATIONAL) ±5°



DESCRIPTION (1st 4 DIGITS)	SIZE	"A"	"B"	CHARACTER HEIGHT "C"	"L"	"T"	WEIGHT / 250mm
1358	30	4.95 - 5.25	1.30 - 1.60	2.4	4.25 - 4.75	0.68 - 0.78	2.94 - 3.24
1361	65	9.90 - 10.2	2.90 - 3.20	4.0	5.50 - 6.00	1.18 - 1.28	9.57 - 10.57

THIS DRAWING IS A CONTROLLED DOCUMENT.		DWN AFK	07FEB2020	 TE Connectivity			
DIMENSIONS: mm		CHK -	-				
 TOLERANCES UNLESS OTHERWISE SPECIFIED: 0 PLC ± - 1 PLC ± - 2 PLC ± - 3 PLC ± - 4 PLC ± - ANGLES ± -		APVD -		PRODUCT SPEC RW-2535			
		MATERIAL PVC		FINISH -		APPLICATION SPEC -	
		WEIGHT SEE TABLE		SIZE A3	CAGE CODE 0198G	DRAWING NO C-1602A0001	SCALE -
		CUSTOMER DRAWING		SHEET 1 OF 1		REV 9	

X-ON Electronics

Largest Supplier of Electrical and Electronic Components

Click to view similar products for [Wire Identification](#) category:

Click to view products by [TE Connectivity](#) manufacturer:

Other Similar products are found below :

[CU6337-000](#) [CU6342-000](#) [FCA-410-12](#) [11631010](#) [1-1768037-1](#) [1-1768037-2](#) [1-1768050-0](#) [PXLK-VI](#) [Q62184-1](#) [A64304-000](#)
[HK032WE1NF038B](#) [1330-0519-10](#) [1395200-1](#) [1395202-1](#) [DMVF050WE-300S6](#) [D-SCE-1K-2.4-50-4-CS7834](#) [1538738-1](#) [E90935-000](#)
[EC1238-000](#) [EC1465-000](#) [EC1855-000](#) [EC1859-000](#) [EC1863-000](#) [EC5415-000](#) [EC7277-000](#) [EC7352-000](#) [EC7603-000](#) [EC7707-000](#)
[EC7735-000](#) [EC7768-000](#) [EC7828-000](#) [EC7854-000](#) [EC7952-000](#) [EC8128-000](#) [1768037-8](#) [1768041-7](#) [NC-127191-10-9](#)
[HS048WE2NF038B](#) [C03232-000](#) [HTCM-SCE-14-4H-9](#) [HTMS-3/16-9](#) [HT-SCE-1/4-2.0-4](#) [HT-SCE-3/16-2.0-4](#) [HTTMS-1/2-1.50-9](#) [HTTMS-](#)
[CM-1/2-4H-9](#) [HX-SCE-19.0-50-9](#) [HX-SCE-6.4-50-4](#) [C25254-000](#) [CA5939-000](#) [CA7155-000](#)