

THIS DRAWING IS UNPUBLISHED.

RELEASED FOR PUBLICATION

© COPYRIGHT 2020 TE Connectivity Ltd.

ALL RIGHTS RESERVED.

REVISIONS

| P | LTR | DESCRIPTION | DATE | DWN | APVD |
|---|-----|--------------------------|-----------|-----|------|
| | 9 | INITIAL CUSTOMER DRAWING | 10FEB2020 | AFK | LS |

NOTES:-

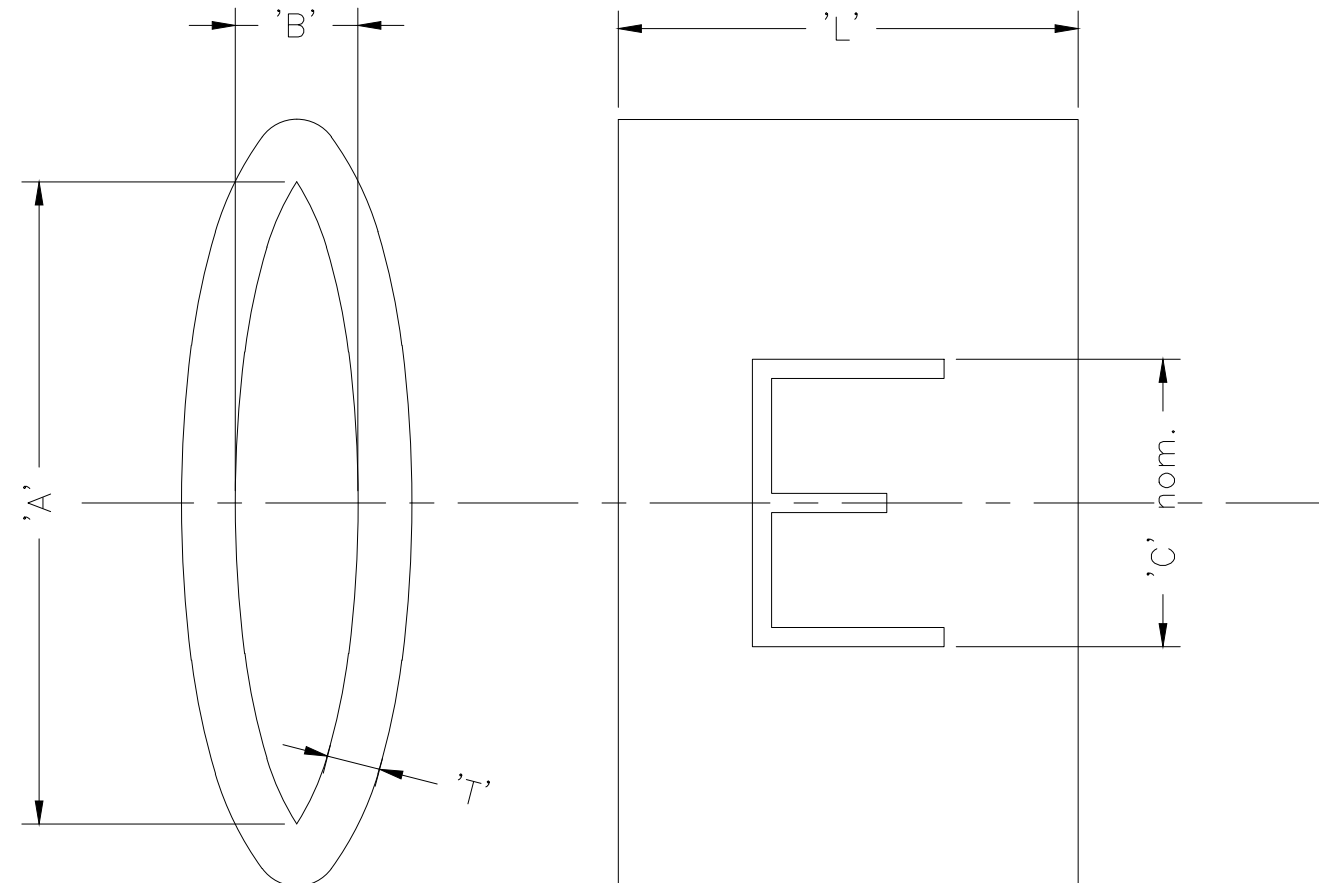
1. CHARACTERS:-

0-9, A-Z, +, -, /, ~ & ±


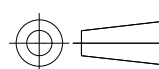
0, 1, 6 & 9 ARE FOLLOWED BY A FULL STOP

TOLERANCE (AXIAL) ±0.75

(ROTATIONAL) ±5°



| DESCRIPTION (1st 4 DIGITS) | SIZE | "A" | "B" | CHARACTER HEIGHT "C" | "L" | "T" | WEIGHT / 250mm |
|----------------------------|------|-------------|-------------|----------------------|-------------|-------------|----------------|
| 1358 | 30 | 4.95 - 5.25 | 1.30 - 1.60 | 2.4 | 4.25 - 4.75 | 0.68 - 0.78 | 2.94 - 3.24 |
| 1361 | 65 | 9.90 - 10.2 | 2.90 - 3.20 | 4.0 | 5.50 - 6.00 | 1.18 - 1.28 | 9.57 - 10.57 |

| | | | | | | | | | |
|---|--|---------------------|-----------|---|--------------------|---------------------------|------------|------------------------|----------|
| THIS DRAWING IS A CONTROLLED DOCUMENT. | | DWN AFK | 07FEB2020 |  TE Connectivity | | | | | |
| DIMENSIONS: mm | | CHK - | - | | | | | NAME MARKER, K TYPE | |
|  TOLERANCES UNLESS OTHERWISE SPECIFIED: 0 PLC ± - 1 PLC ± - 2 PLC ± - 3 PLC ± - 4 PLC ± - ANGLES ± - | | APVD - | | PRODUCT SPEC RW-2535 | | | | | |
| | | MATERIAL PVC | | FINISH - | | APPLICATION SPEC - | | RESTRICTED TO - | |
| | | WEIGHT SEE TABLE | | SIZE A3 | CAGE CODE 0198G | DRAWING NO C-1602A0001 | SCALE - | SHEET 1 OF 1 | REV 9 |
| CUSTOMER DRAWING | | | | | | | | | |

X-ON Electronics

Largest Supplier of Electrical and Electronic Components

Click to view similar products for [Wire Identification category](#):

Click to view products by [TE Connectivity manufacturer](#):

Other Similar products are found below :

[CU6337-000](#) [CU6342-000](#) [FCA-410-12](#) [11631010](#) [1-1768037-1](#) [1-1768037-2](#) [1-1768050-0](#) [PXLK-VI](#) [Q62184-1](#) [A64304-000](#)
[HK032WE1NF038B](#) [1330-0519-10](#) [1395200-1](#) [1395202-1](#) [DMVF050WE-300S6](#) [D-SCE-1K-2.4-50-4-CS7834](#) [1538738-1](#) [E90935-000](#)
[EC1238-000](#) [EC1465-000](#) [EC1855-000](#) [EC1859-000](#) [EC1863-000](#) [EC5415-000](#) [EC7277-000](#) [EC7352-000](#) [EC7603-000](#) [EC7707-000](#)
[EC7735-000](#) [EC7768-000](#) [EC7828-000](#) [EC7854-000](#) [EC7952-000](#) [EC8128-000](#) [1768037-8](#) [1768041-7](#) [NC-127191-10-9](#)
[HS048WE2NF038B](#) [C03232-000](#) [HTCM-SCE-14-4H-9](#) [HTMS-3/16-9](#) [HT-SCE-1/4-2.0-4](#) [HT-SCE-3/16-2.0-4](#) [HTTMS-1/2-1.50-9](#) [HTTMS-](#)
[CM-1/2-4H-9](#) [HX-SCE-19.0-50-9](#) [HX-SCE-6.4-50-4](#) [C25254-000](#) [CA5939-000](#) [CA7155-000](#)