

THIS DRAWING IS UNPUBLISHED.

RELEASED FOR PUBLICATION

ALL RIGHTS RESERVED.

© COPYRIGHT 2020 TE Connectivity Ltd.

REVISIONS

| P | LTR | DESCRIPTION              | DATE      | DWN | APVD |
|---|-----|--------------------------|-----------|-----|------|
|   | 9   | INITIAL CUSTOMER DRAWING | 10FEB2020 | AFK | LS   |

NOTES:-

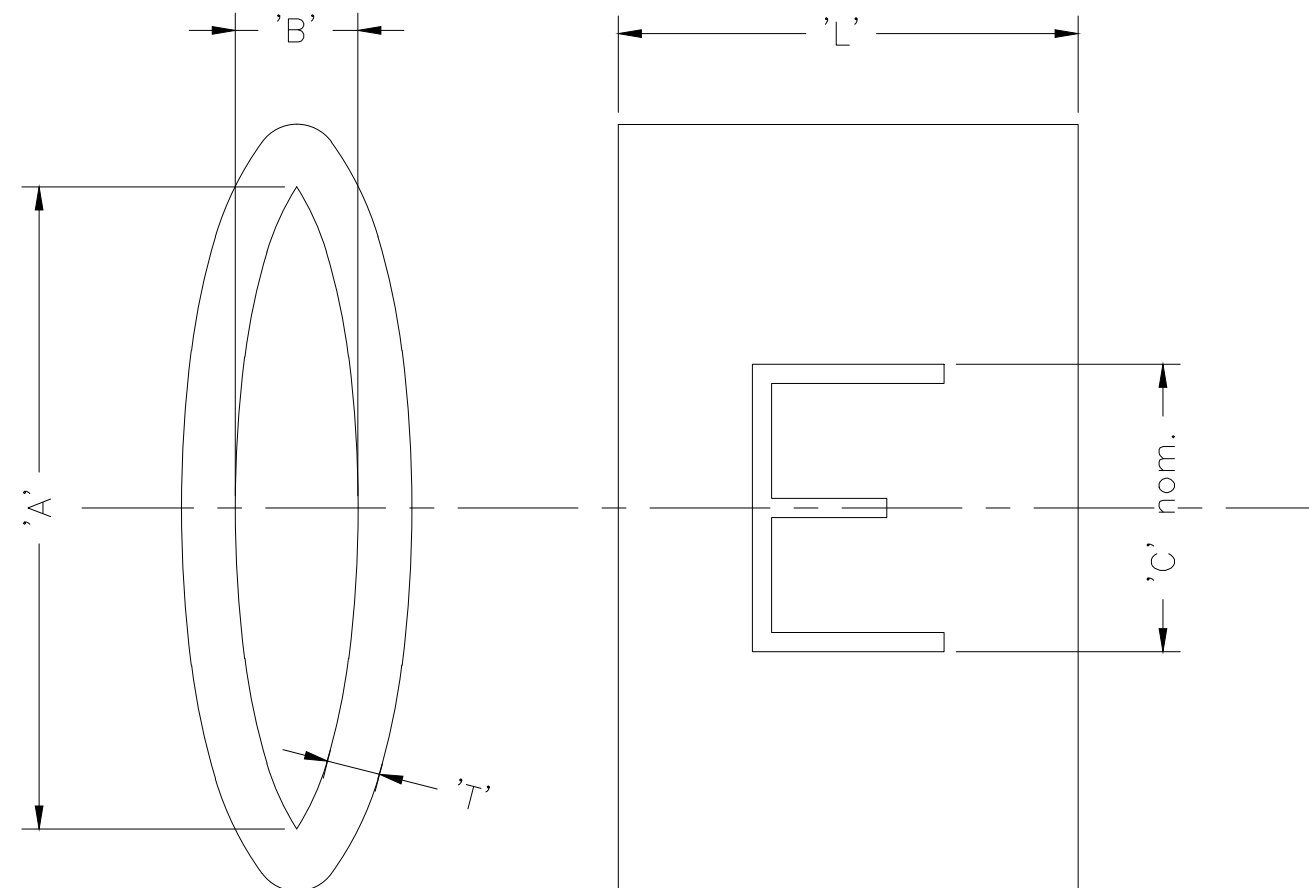
1. CHARACTERS:-

0-9, A-Z, +, -, /, ~ & ±


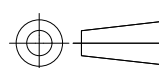
0, 1, 6 & 9 ARE FOLLOWED BY A FULL STOP

TOLERANCE (AXIAL) ±0.75

(ROTATIONAL) ±5°



| DESCRIPTION (1st 4 DIGITS) | SIZE | "A"         | "B"         | CHARACTER HEIGHT "C" | "L"         | "T"         | WEIGHT / 250mm |
|----------------------------|------|-------------|-------------|----------------------|-------------|-------------|----------------|
| 1358                       | 30   | 4.95 - 5.25 | 1.30 - 1.60 | 2.4                  | 4.25 - 4.75 | 0.68 - 0.78 | 2.94 - 3.24    |
| 1361                       | 65   | 9.90 - 10.2 | 2.90 - 3.20 | 4.0                  | 5.50 - 6.00 | 1.18 - 1.28 | 9.57 - 10.57   |

|   |  |                     |           |   |                    |                           |            |
|---|--|---------------------|-----------|---|--------------------|---------------------------|------------|
| THIS DRAWING IS A CONTROLLED DOCUMENT.  |  | DWN<br>AFK          | 07FEB2020 |  TE Connectivity |                    |                           |            |
| DIMENSIONS:<br>mm   |  | CHK<br>-            | -         |   |                    |                           |            |
|  TOLERANCES UNLESS OTHERWISE SPECIFIED:<br>0 PLC ± -<br>1 PLC ± -<br>2 PLC ± -<br>3 PLC ± -<br>4 PLC ± -<br>ANGLES ± - |  | APVD<br>-           |           | PRODUCT SPEC<br>RW-2535   |                    |                           |            |
|   |  | MATERIAL<br>PVC     |           | FINISH<br>-   |                    | APPLICATION SPEC<br>-     |            |
|   |  | WEIGHT<br>SEE TABLE |           | SIZE<br>A3  | CAGE CODE<br>0198G | DRAWING NO<br>C-1602A0001 | SCALE<br>- |
|   |  | CUSTOMER DRAWING    |           | SHEET<br>1 OF 1   |                    | REV<br>9                  |            |

## X-ON Electronics

Largest Supplier of Electrical and Electronic Components

*Click to view similar products for [Wire Identification](#) category:*

*Click to view products by [TE Connectivity](#) manufacturer:*

Other Similar products are found below :

[CU6337-000](#) [CU6342-000](#) [FCA-410-12](#) [11631010](#) [1-1768037-1](#) [1-1768037-2](#) [1-1768050-0](#) [PXLK-VI](#) [Q62184-1](#) [A64304-000](#)

[HK032WE1NF038B](#) [1330-0519-10](#) [1395200-1](#) [1395202-1](#) [DMVF050WE-300S6](#) [D-SCE-1K-2.4-50-4-CS7834](#) [1538738-1](#) [E90935-000](#)

[EC1238-000](#) [EC1465-000](#) [EC1855-000](#) [EC1859-000](#) [EC1863-000](#) [EC5415-000](#) [EC7277-000](#) [EC7352-000](#) [EC7603-000](#) [EC7707-000](#)

[EC7735-000](#) [EC7768-000](#) [EC7828-000](#) [EC7854-000](#) [EC7952-000](#) [EC8128-000](#) [1768037-8](#) [1768041-7](#) [NC-127191-10-9](#)

[HS048WE2NF038B](#) [C03232-000](#) [HTCM-SCE-14-4H-9](#) [HTMS-3/16-9](#) [HT-SCE-1/4-2.0-4](#) [HT-SCE-3/16-2.0-4](#) [HTTMS-1/2-1.50-9](#) [HTTMS-](#)

[CM-1/2-4H-9](#) [HX-SCE-19.0-50-9](#) [HX-SCE-6.4-50-4](#) [C25254-000](#) [CA5939-000](#) [CA7155-000](#)