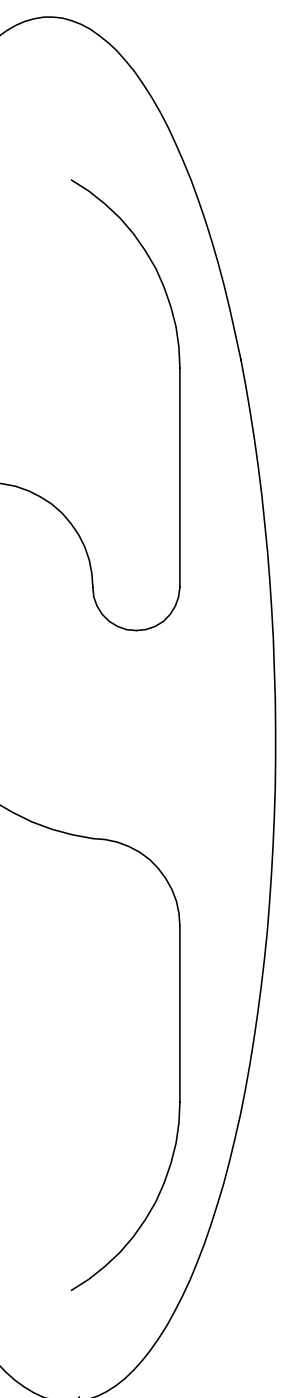
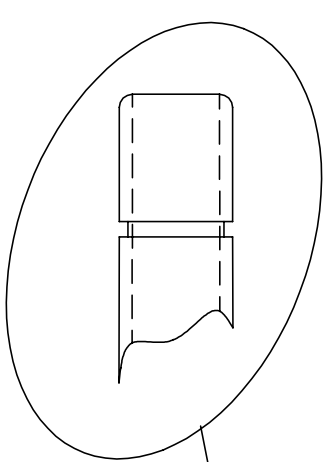


REVISIONS

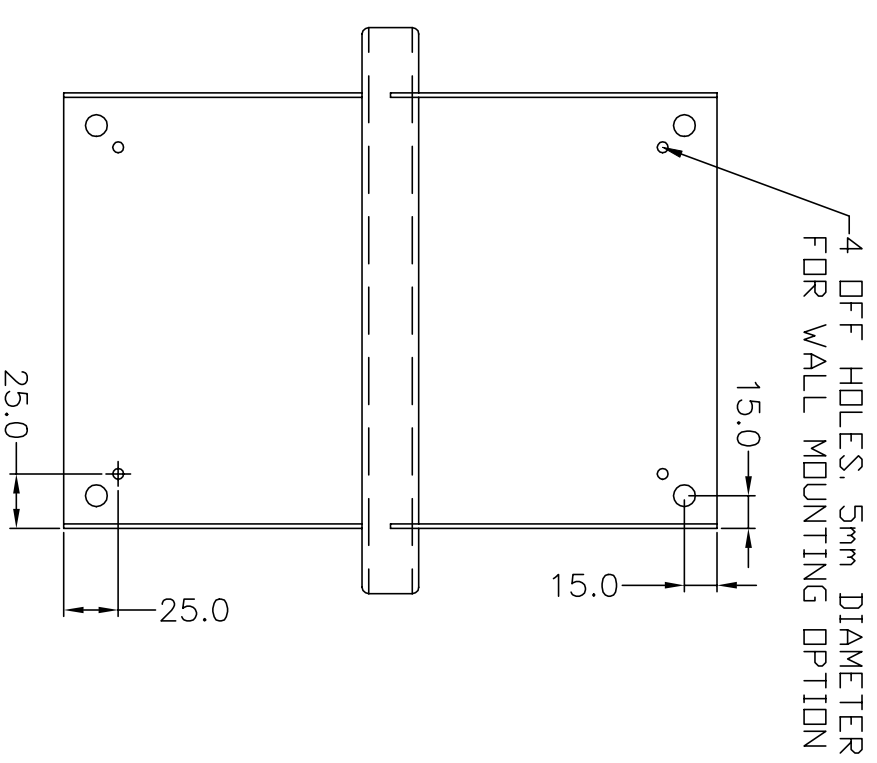
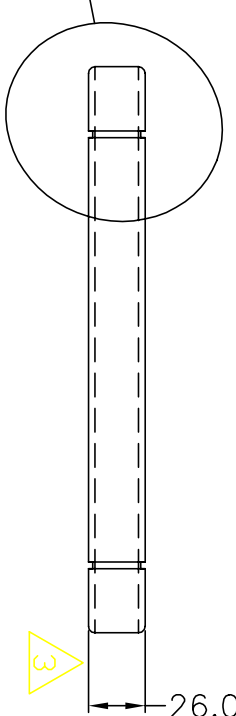
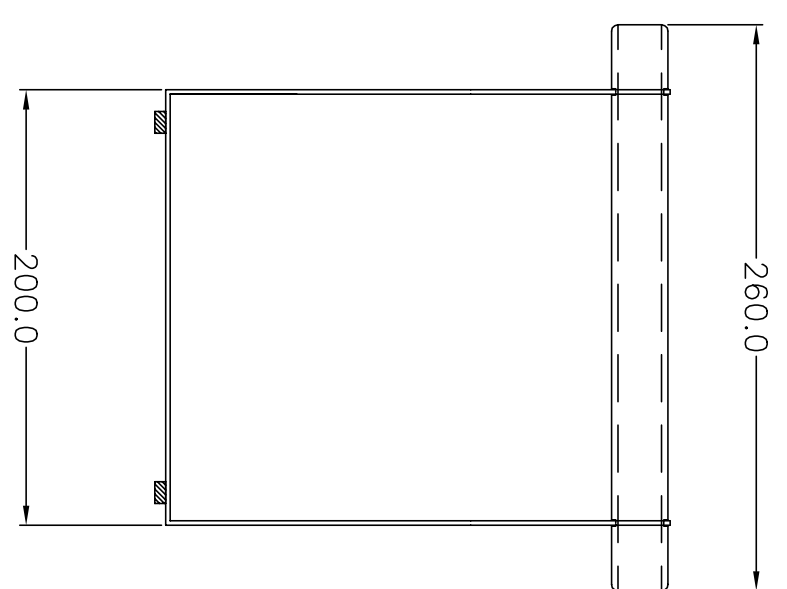
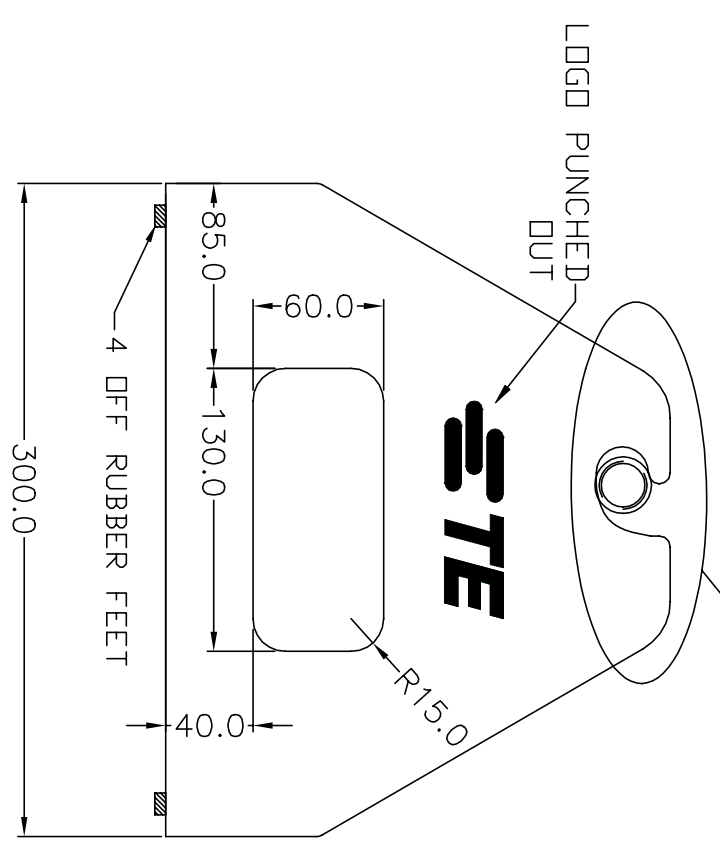
| P | LTR | DESCRIPTION              | DATE      | DMN | APVD |
|---|-----|--------------------------|-----------|-----|------|
| 5 |     | INITIAL CUSTOMER DRAWING | 15MAY2020 | AFK | LS   |



SPINDLE HOLDER DETAIL



SPINDLE LOCATOR DETAIL



4 DFF HOLES, 5mm DIAMETER FOR WALL MOUNTING OPTION

- NOTES: 1, TE PART NO. EC9926-000  
 2, REEL HOLDER COLOR ORANGE  
 3, SPINDLE MAYBE TUBULAR AS SHOWN OR SOLID

THIS DRAWING IS A CONTROLLED DOCUMENT.

|                 |  |  |        |                               |           |            |                 |
|-----------------|--|--|--------|-------------------------------|-----------|------------|-----------------|
| DIMENSIONS:     |  | TOLERANCES UNLESS OTHERWISE SPECIFIED: |        | DMN                           |           | NAME       |                 |
| mm              |  | 0 PLC                                  | ±      | AFK                           | 15MAY2020 | SIZE       | TE Connectivity |
|                 |  | 1 PLC                                  | ± 0.50 | LS                            | 15MAY2020 | CAGE CODE  |                 |
|                 |  | 2 PLC                                  | ±      | PRODUCT SPEC                  |           | DRAWING NO |                 |
|                 |  | 3 PLC                                  | ±      | APPLICATION SPEC              |           |            |                 |
|                 |  | 4 PLC                                  | ±      | WEIGHT                        | 2530g     |            |                 |
|                 |  | ANGLES                                 | ±      | CUSTOMER DRAWING              |           |            |                 |
| MATERIAL        |  | FINISH                                 |        | APVD                          |           | SCALE      |                 |
| 2mm SHEET METAL |  | -                                      |        | LS                            |           | NTS        |                 |
|                 |  |  |        | NAME                          |           | SHEET      |                 |
|                 |  |  |        | PRINTER-UNIVERSAL-REEL-HOLDAR |           | 1 of 1     |                 |
|                 |  |  |        |                               |           | REV        |                 |
|                 |  |  |        |                               |           | 5          |                 |

## X-ON Electronics

Largest Supplier of Electrical and Electronic Components

*Click to view similar products for [Printers category](#):*

*Click to view products by [TE Connectivity manufacturer](#):*

Other Similar products are found below :

[897252-000](#) [CU0620-000](#) [F39639-000](#) [FTP-648MCL570](#) [PTMBL1912A](#) [PWC-L07A1-W1-E](#) [DPU-V445-10B-E](#) [D-SCE-12-50-S1-4](#) [D-SCE-3.2-50-S1-4](#) [IF2302-01UK-E](#) [IF9001-01P-E](#) [IFC-001K](#) [2000P-RIBBON-4AG-MED](#) [206868-000](#) [OP-LH200A-E](#) [LB1256-E](#) [LM-1/4-TUBE-WE](#) [308-LE](#) [SMS-V-19-9](#) [ACUH205A-E](#) [1813390001](#) [FTP-040P001](#) [FTP-628CU601R](#) [PW-C0725-W2-U](#) [HANDHELD-TMS-3.9-9](#) [3045950001](#) [351013-000](#) [RH-48-00-E](#) [4775630001](#) [TSK-508406-2.5CS8982](#) [TTC-PRINTER-PRINthead-300](#) [HW-762254-5-9](#) [IF2301-01B](#) [IFC-001K-E](#) [IFH001-01B](#) [LM-1/2-TUBE-WE](#) [DPU-D3-01A-E](#) [D-SCE-12-50-9](#) [D-SCE-4.8-50-4](#) [094514-000](#) [E64127-000](#) [ED4839-000](#) [T200-IDENT-DR4-DRIVEROLLER](#) [CP3963-000](#) [2000P-RIBBON-4AG-NAR](#) [2000P-RIBBON-WH-MED](#) [U001023895X1](#) [FTP-624Y002](#) [ED4098-000](#) [NC-LSC05](#)