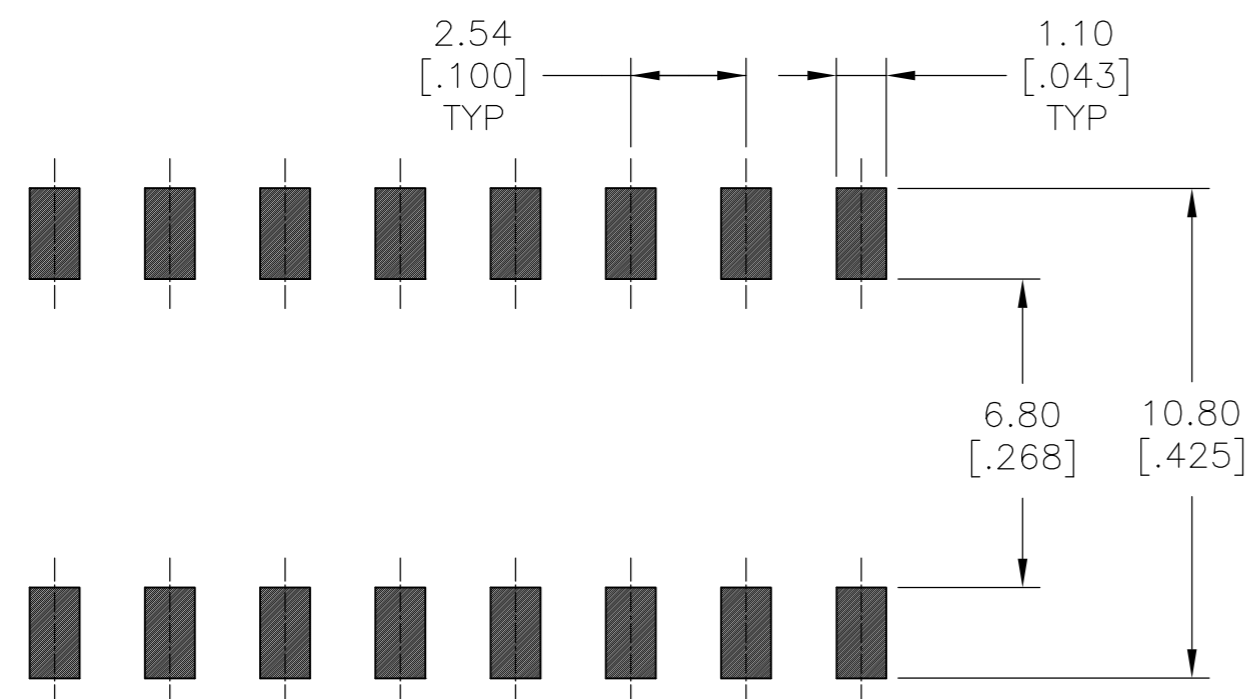
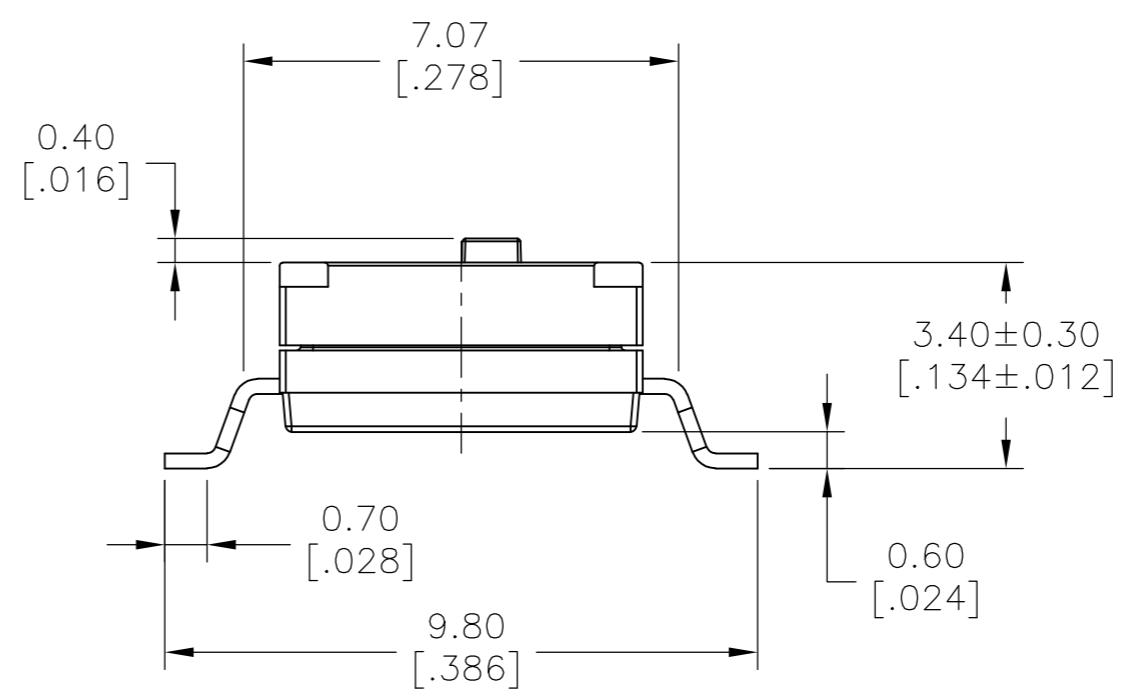
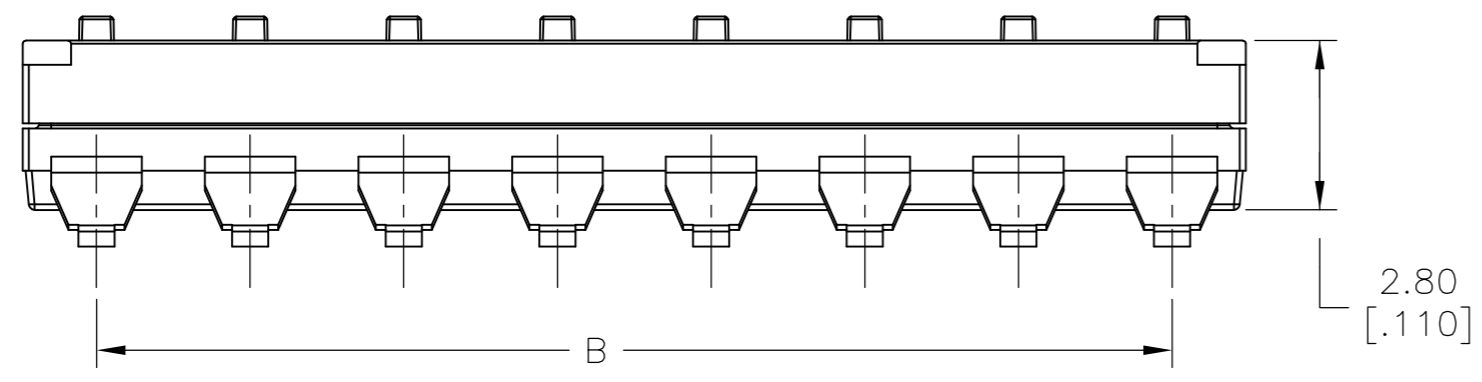
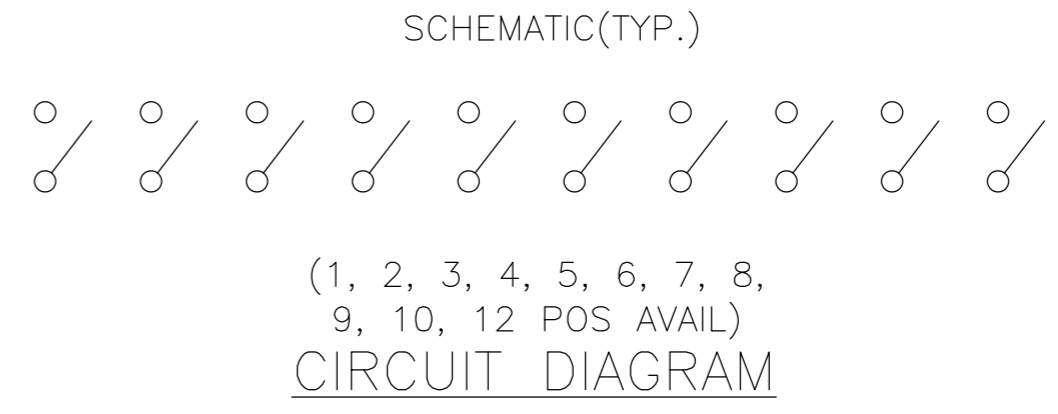
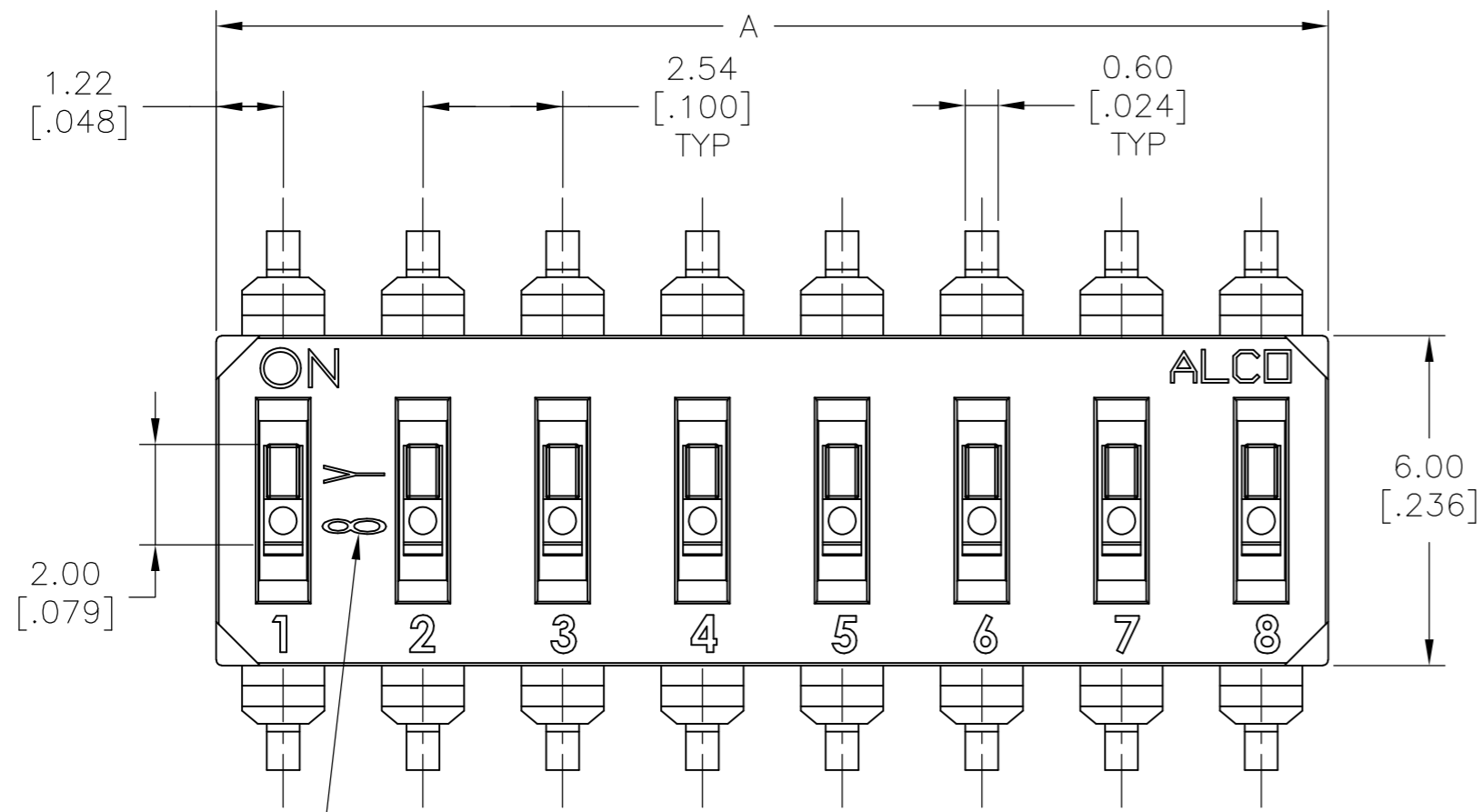


THIS DRAWING IS UNPUBLISHED. RELEASED FOR PUBLICATION
 © COPYRIGHT - TE Connectivity ALL RIGHTS RESERVED.

M SERIES RAISED ACTUATOR

REVISIONS				
P	LTR	DESCRIPTION	DATE	APVD
A		INITIAL RELEASE	29MAY2017	SK AS



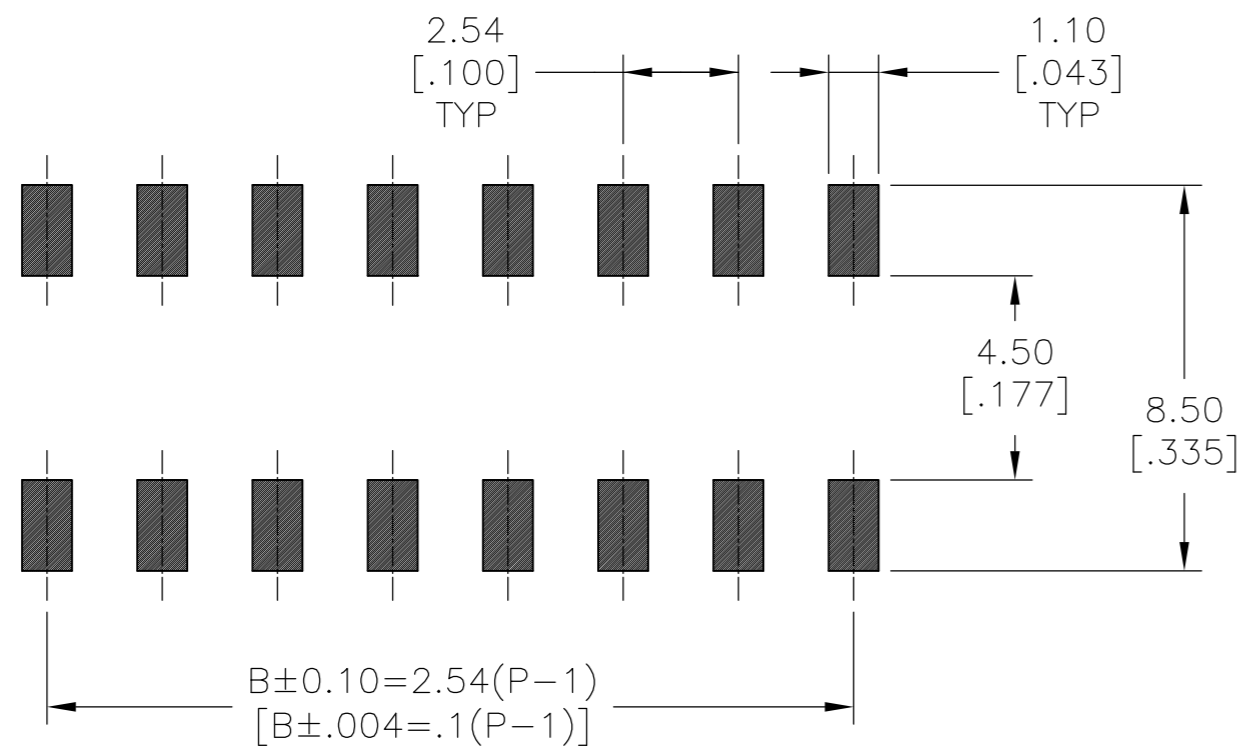
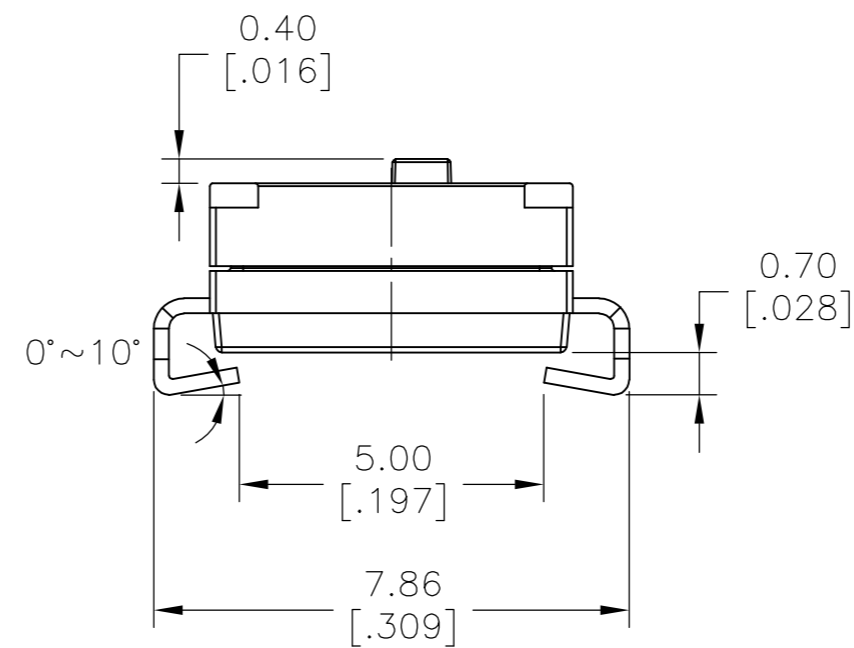
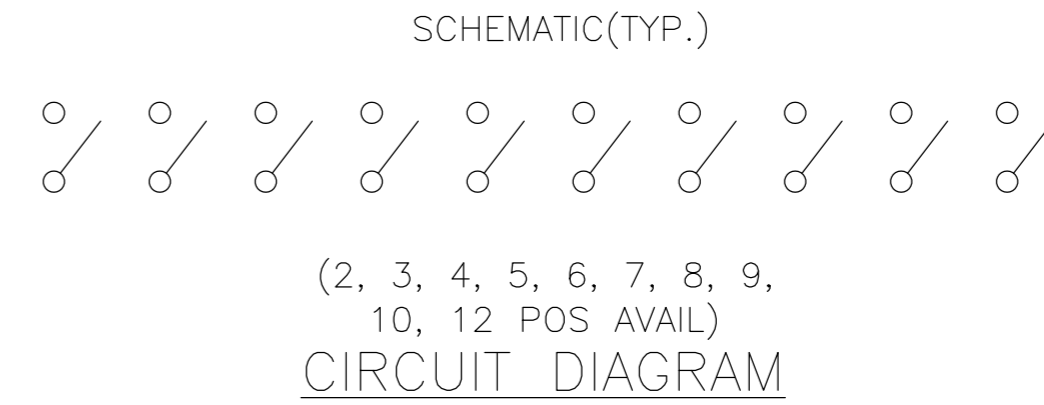
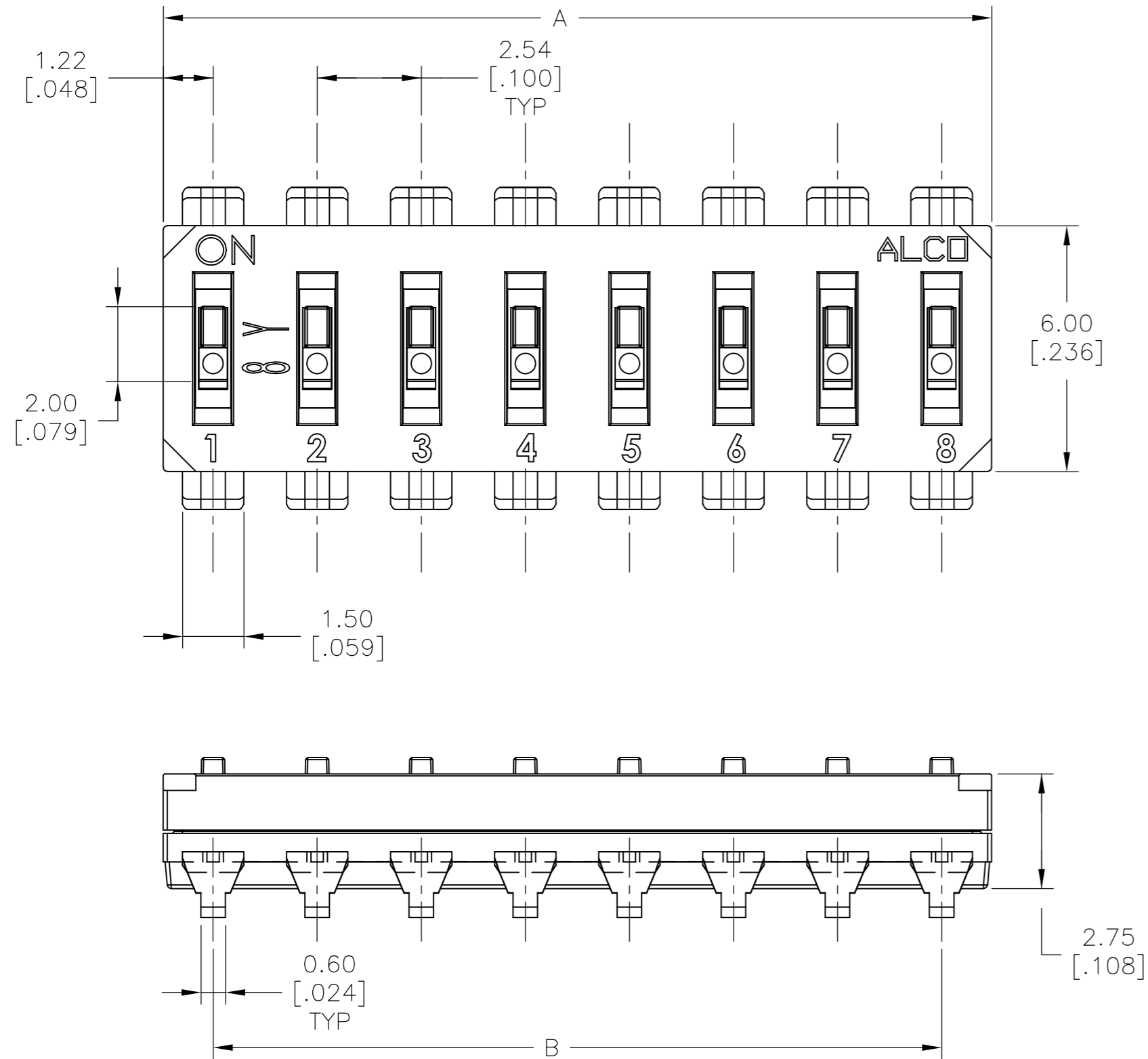
- EDS
- 04Q
- POSITIONS: 01,02,03,04,05,06, 07,08,09,10,12
- HALOGEN FREE
- ROHS COMPLIANT
- SMT: SG=GULL WING, SN=J STYLE
- PACKAGING: TU=TUBE, TR=TAPE AND REEL
- ACTUATOR: N=RAISED, R=RECESSED
- SEAL: N=NONE, S=TOP SEAL

THIS DRAWING IS A CONTROLLED DOCUMENT.		DWN: SHIVAKUMAR S S	TE Connectivity	
DIMENSIONS: mm[INCHES]		CHK: ALEXANDER SHARPE	NAME: END STACKABLE DIP SWITCHES RAISED ACTUATOR	
TOLERANCES UNLESS OTHERWISE SPECIFIED:		APVD: ALEXANDER SHARPE	SIZE: A2	
0 PLC ± -		PRODUCT SPEC	CAGE CODE: 00779	DRAWING NO: C=2319847
1 PLC ± -		APPLICATION SPEC	RESTRICTED TO	
2 PLC ± 0.20[.008]			SCALE: 1:1	SHEET: 1 of 4
3 PLC ± -			REV: A	
4 PLC ± -				
ANGLES ± -				
FINISH		WEIGHT		
MATERIAL		CUSTOMER DRAWING		

THIS DRAWING IS UNPUBLISHED. RELEASED FOR PUBLICATION
 © COPYRIGHT - TE Connectivity ALL RIGHTS RESERVED.

REVISIONS					
P	LTR	DESCRIPTION	DATE	DWN	APVD
-	-	SEE SHEET 1	-	-	-

J SERIES RAISED ACTUATOR



P.C.B. LAYOUT


THIS DRAWING IS A CONTROLLED DOCUMENT.		DWN 29MAY2017 SHIVAKUMAR S S		
DIMENSIONS: mm[INCHES]		CHK 12MAY2017 ALEXANDER SHARPE		
TOLERANCES UNLESS OTHERWISE SPECIFIED:		APVD 29MAY2017 ALEXANDER SHARPE	NAME END STACKABLE DIP SWITCHES RAISED ACTUATOR	
0 PLC ± - 1 PLC ± - 2 PLC ± 0.20[.008] 3 PLC ± - 4 PLC ± - ANGLES ± -		PRODUCT SPEC -	SIZE A2	
MATERIAL -		FINISH -	CAGE CODE 00779	DRAWING NO C=2319847
		WEIGHT	RESTRICTED TO -	
		CUSTOMER DRAWING	SCALE 1:1	SHEET 2 OF 4
			REV A	

THIS DRAWING IS UNPUBLISHED. RELEASED FOR PUBLICATION
 © COPYRIGHT - TE Connectivity ALL RIGHTS RESERVED.

REVISIONS					
P	LTR	DESCRIPTION	DATE	DWN	APVD
-	-	SEE SHEET 1	-	-	-

NOTES	SERIES	B	A	No OF POSITION	TE DESCRIPTIVE PART NUMBER	TE PART NUMBER
		DIM				
3	J	27.94 [1.100]	30.38 [1.196]	12	EDS12SNNNTR04Q	4-2319847-2
		22.86 [.900]	25.3 [.996]	10	EDS10SNNNTR04Q	4-2319847-1
		20.32 [.800]	22.76 [.896]	09	EDS09SNNNTR04Q	4-2319847-0
		17.78 [.700]	20.22 [.796]	08	EDS08SNNNTR04Q	3-2319847-9
		15.24 [.600]	17.68 [.696]	07	EDS07SNNNTR04Q	3-2319847-8
		12.70 [.500]	15.14 [.596]	06	EDS06SNNNTR04Q	3-2319847-7
		10.16 [.400]	12.60 [.496]	05	EDS05SNNNTR04Q	3-2319847-6
		7.62 [.300]	10.06 [.396]	04	EDS04SNNNTR04Q	3-2319847-5
		5.08 [.200]	7.52 [.296]	03	EDS03SNNNTR04Q	3-2319847-4
	2.54 [.100]	4.98 [.196]	02	EDS02SNNNTR04Q	3-2319847-3	
	M	27.94 [1.100]	30.38 [1.196]	12	EDS12SGNNTR04Q	3-2319847-2
		22.86 [.900]	25.3 [.996]	10	EDS10SGNNTR04Q	3-2319847-1
		20.32 [.800]	22.76 [.896]	09	EDS09SGNNTR04Q	3-2319847-0
		17.78 [.700]	20.22 [.796]	08	EDS08SGNNTR04Q	2-2319847-9
		15.24 [.600]	17.68 [.696]	07	EDS07SGNNTR04Q	2-2319847-8
		12.70 [.500]	15.14 [.596]	06	EDS06SGNNTR04Q	2-2319847-7
		10.16 [.400]	12.60 [.496]	05	EDS05SGNNTR04Q	2-2319847-6
		7.62 [.300]	10.06 [.396]	04	EDS04SGNNTR04Q	2-2319847-5
		5.08 [.200]	7.52 [.296]	03	EDS03SGNNTR04Q	2-2319847-4
2.54 [.100]		4.98 [.196]	02	EDS02SGNNTR04Q	2-2319847-3	
-	2.44 [.096]	01	EDS01SGNNTR04Q	2-2319847-2		
	27.94 [1.100]	30.38 [1.196]	12	EDS12SNNNTU04Q	2-2319847-1	

NOTES	SERIES	B	A	No OF POSITION	TE DESCRIPTIVE PART NUMBER	TE PART NUMBER
		DIM				
2	J	22.86 [.900]	25.3 [.996]	10	EDS10SNNNTU04Q	2-2319847-0
		20.32 [.800]	22.76 [.896]	09	EDS09SNNNTU04Q	1-2319847-9
		17.78 [.700]	20.22 [.796]	08	EDS08SNNNTU04Q	1-2319847-8
		15.24 [.600]	17.68 [.696]	07	EDS07SNNNTU04Q	1-2319847-7
		12.70 [.500]	15.14 [.596]	06	EDS06SNNNTU04Q	1-2319847-6
		10.16 [.400]	12.60 [.496]	05	EDS05SNNNTU04Q	1-2319847-5
		7.62 [.300]	10.06 [.396]	04	EDS04SNNNTU04Q	1-2319847-4
		5.08 [.200]	7.52 [.296]	03	EDS03SNNNTU04Q	1-2319847-3
		2.54 [.100]	4.98 [.196]	02	EDS02SNNNTU04Q	1-2319847-2
	M	27.94 [1.100]	30.38 [1.196]	12	EDS12SGNNTU04Q	1-2319847-1
		22.86 [.900]	25.3 [.996]	10	EDS10SGNNTU04Q	1-2319847-0
		20.32 [.800]	22.76 [.896]	09	EDS09SGNNTU04Q	2319847-9
		17.78 [.700]	20.22 [.796]	08	EDS08SGNNTU04Q	2319847-8
		15.24 [.600]	17.68 [.696]	07	EDS07SGNNTU04Q	2319847-7
		12.70 [.500]	15.14 [.596]	06	EDS06SGNNTU04Q	2319847-6
		10.16 [.400]	12.60 [.496]	05	EDS05SGNNTU04Q	2319847-5
		7.62 [.300]	10.06 [.396]	04	EDS04SGNNTU04Q	2319847-4
		5.08 [.200]	7.52 [.296]	03	EDS03SGNNTU04Q	2319847-3
		2.54 [.100]	4.98 [.196]	02	EDS02SGNNTU04Q	2319847-2
-	2.44 [.096]	01	EDS01SGNNTU04Q	2319847-1		

THIS DRAWING IS A CONTROLLED DOCUMENT.		DWN 29MAY2017 SHIVAKUMAR S S	 TE Connectivity	
DIMENSIONS: mm[INCHES]		CHK 12MAY2017 ALEXANDER SHARPE		
TOLERANCES UNLESS OTHERWISE SPECIFIED:		APVD 29MAY2017 ALEXANDER SHARPE	NAME	
0 PLC ± - 1 PLC ± - 2 PLC ± 0.20[.008] 3 PLC ± - 4 PLC ± - ANGLES ± -		PRODUCT SPEC	END STACKABLE DIP SWITCHES RAISED ACTUATOR	
MATERIAL		APPLICATION SPEC	SIZE	CAGE CODE
FINISH		WEIGHT	A2	00779
		CUSTOMER DRAWING	DRAWING NO	RESTRICTED TO
			C=2319847	-
		SCALE 1:1	SHEET 3 of 4	REV A

REVISIONS					
P	LTR	DESCRIPTION	DATE	DWN	APVD
-	-	SEE SHEET 1	-	-	-

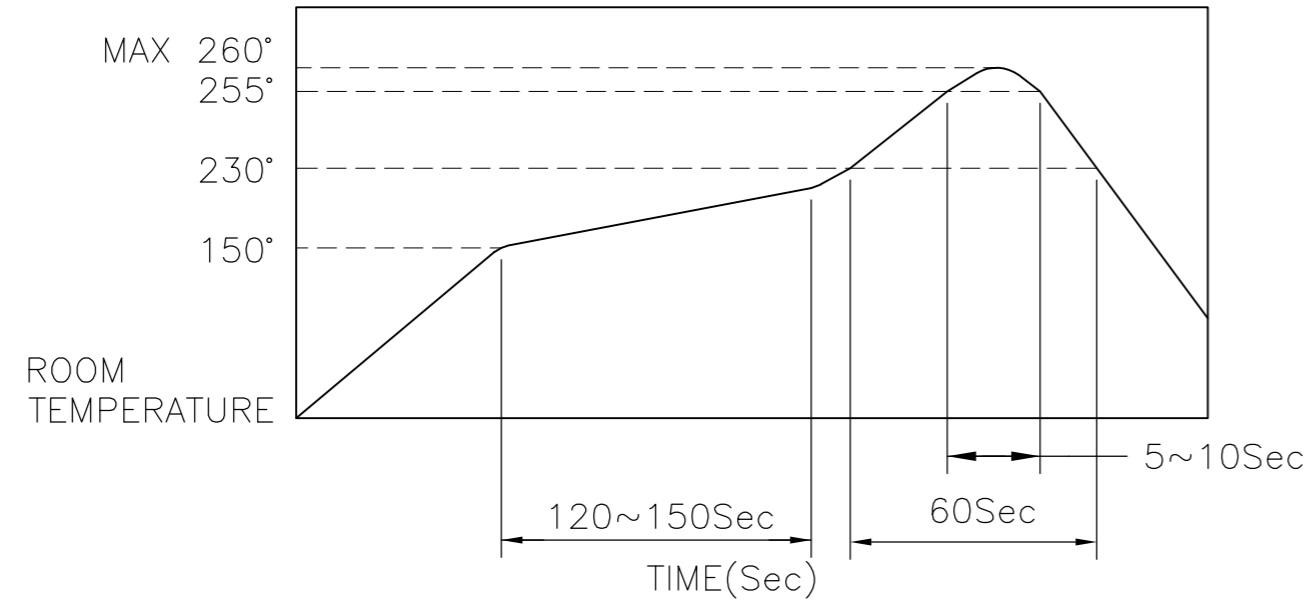
SOLDERING CONDITIONS:

THE CONDITIONS MENTIONED BELOW IS THE TEMPERATURE ON THE CU FOIL OF THE P.C.B SURFACE. DO NOT ALLOW THE SWITCH'S SURFACE TEMPERATURE TO EXCEED 260°C.

MANUAL SOLDERING

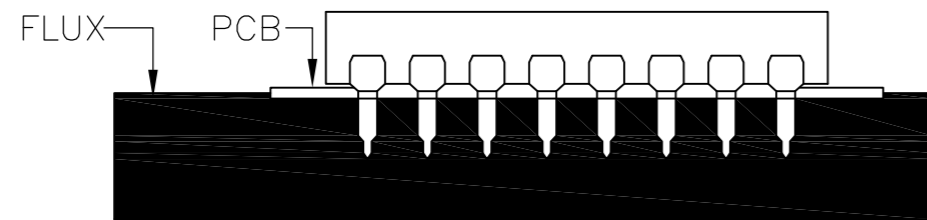
SOLDERING TEMPERATURE	MAX. 350°C.
CONTINUOUS SOLDERING TIME	MAX. 5 SECONDS.

REFLOW SOLDERING



HANDLING PRECAUTIONS

1. CARE SHOULD BE EXERCISED SO THAT FLUX FROM THE UPPER PART OF THE PRINTED CIRCUIT BOARD DOES NOT ADHERE TO THE SWITCH.
2. DON'T CLEAN THE SWITCH BODY EXCEPT WITH TOP TAPE SEALED TYPE, WHICH CAN ONLY SPRAY OF CLEANING METHOD FROM TOP OF S/W.
3. ENSURE FLUX DOES NOT RISE ABOVE THE TOP SURFACE OF THE PCB.



SPECIFICATIONS:

MATERIALS:

BASE: PA (HIGH-TEMP. NYLON) UL94V-0
 COVER: PA (HIGH-TEMP. NYLON) UL94V-0
 ACTUATOR: LCP UL94V-0
 CONTACT: COPPER ALLOY, GOLD (in contact area)
 OVER NICKEL PLATE
 TERMINAL: BRASS ALLOY, GOLD PLATE
 TAPE: POLYAMIDE.

ELECTRICAL:

CONTACT RATING: NON-SWITCHING 100mA @ 50 VDC.
 SWITCHING: 25mA @ 24 VDC.
 INITIAL CONTACT RESISTANCE: 100mΩ MAX. @ 2 VDC. 10mA.
 INSULATION RESISTANCE: 100 MEGOHMS MIN. @ 500 VDC,
 1 MINUTE +/- 5 SECONDS.
 DIELECTRIC STRENGTH: 500 VAC (50 OR 60 HZ), 1 MINUTE.
 DURABILITY: 2,000 CYCLES.
 CAPACITANCE: 5 pF MAX @ 1 MHz +/- 10 KHz.

MECHANICAL:

OPERATING FORCE: 1000gf MAX.

ENVIRONMENTAL:

OPERATING TEMPERATURE: -20°C TO +85°C.
 STORAGE TEMPERATURE: -40°C TO +85°C.
 SOLDER HEAT RESISTANCE PER 109-201, CONDITION B.
 SOLDERABILITY PER JIS C 0050 & JIS C 0053.

NOTES:

- 1 ALL MATERIALS AND FINISHES SHALL COMPLY WITH EU DIRECTIVE 2002/95/EC OF 27 JAN 2003 (ROHS).



2 TUBE PACKAGING.



3 TAPE AND REEL PACKAGING.

THIS DRAWING IS A CONTROLLED DOCUMENT.		DWN 29MAY2017 SHIVAKUMAR S S		
DIMENSIONS: mm[INCHES]		CHK 12MAY2017 ALEXANDER SHARPE		
TOLERANCES UNLESS OTHERWISE SPECIFIED:		APVD 29MAY2017 ALEXANDER SHARPE	NAME	
0 PLC ± -		PRODUCT SPEC	END STACKABLE DIP SWITCHES RAISED ACTUATOR	
1 PLC ± -		APPLICATION SPEC	SIZE	RESTRICTED TO
2 PLC ± 0.20[.008]		WEIGHT	A2	-
3 PLC ± -		CUSTOMER DRAWING	CAGE CODE	DRAWING NO
4 PLC ± -		SCALE	00779	2319847
ANGLES ± -		SCALE 1:1	SHEET 4 OF 4	REV A
FINISH				

X-ON Electronics

Largest Supplier of Electrical and Electronic Components

Click to view similar products for [TE Connectivity](#) manufacturer:

Other Similar products are found below :

[AA-400-128-MK3-EL-KIT-120](#) [D38999/20JD19PN](#) [9013-3-0702](#) [5-1814821-1](#) [8-1393129-7](#) [6334-206-13336](#) [2302789-2](#) [V23136-A0004-X075](#) [D38999/24MA35AN](#) [194-8002-00](#) [1954656-2](#) [8-1474653-5](#) [5-1814825-1](#) [1-1355222-8](#) [9-1474653-9](#) [351053-000](#) [9-1474653-5](#) [3-2176307-0](#) [6-5435802-3](#) [M83519/2-7](#) [892583-000](#) [894645-000](#) [568176-6](#) [568176-7](#) [5-690482-4](#) [570831-000](#) [CRB-48-70060](#) [5747840-2](#) [5749197-1](#) [5767006-7](#) [576723](#) [58061-1](#) [58062-1](#) [58284-1](#) [582843-6](#) [583785-000](#) [58380-1](#) [58380-2](#) [58435-1](#) [58443-1](#) [585435-000](#) [586863-000](#) [59170](#) [013750-000](#) [59826-1](#) [59909-7](#) [5JO-1000LG-SIL](#) [5JO-1000CD-SIL](#) [018598-000](#) [5R4-SS-PAL](#)