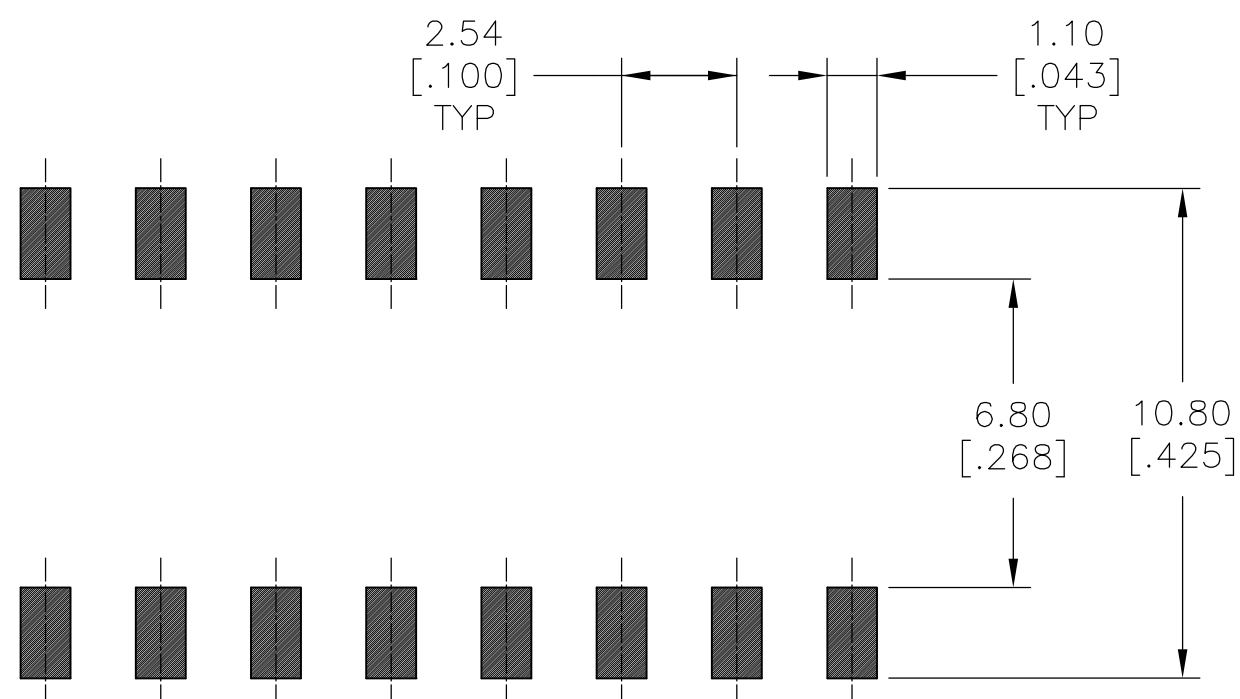
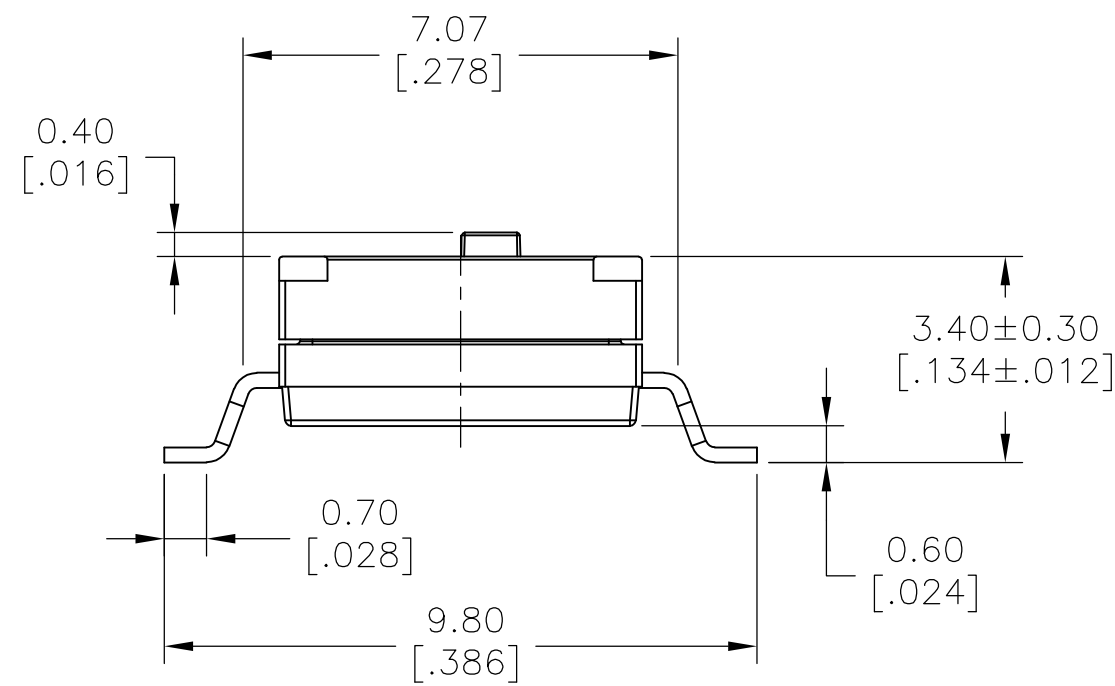
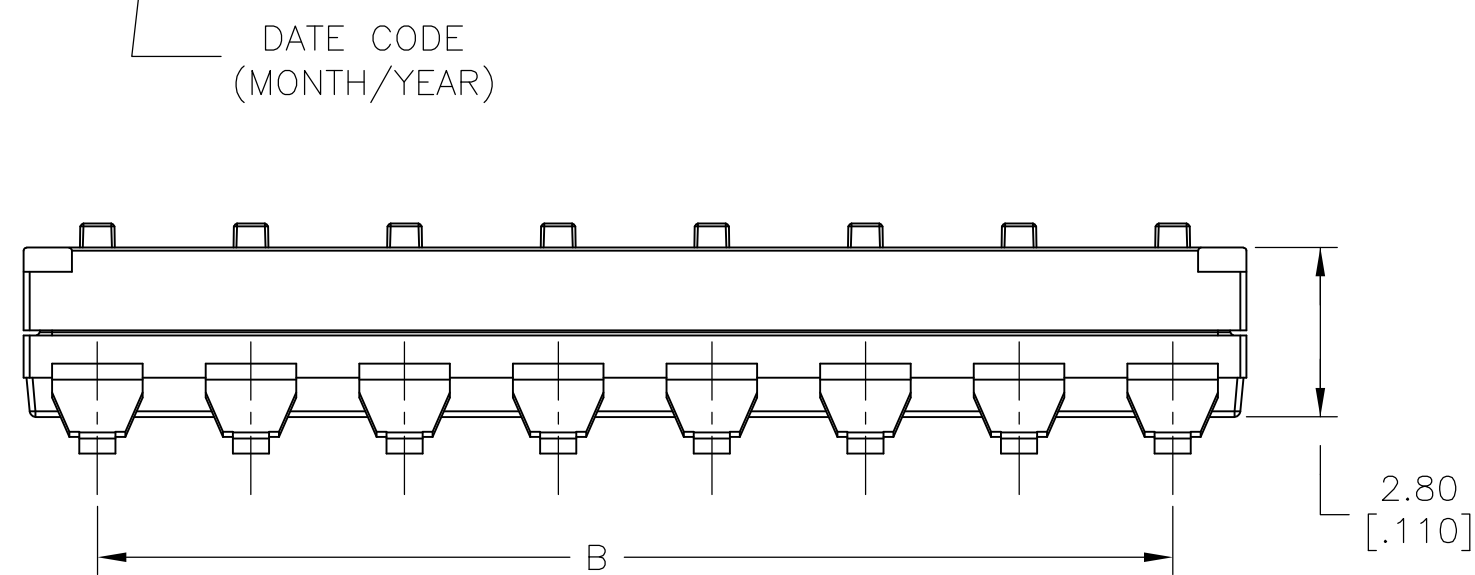
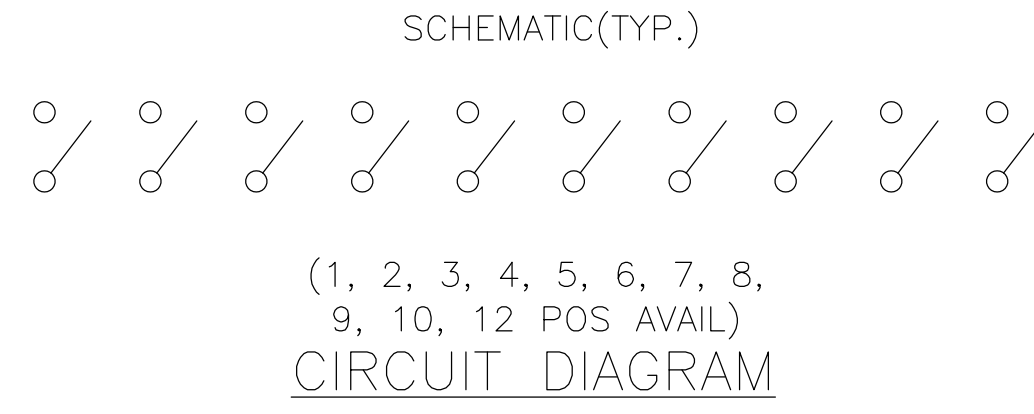
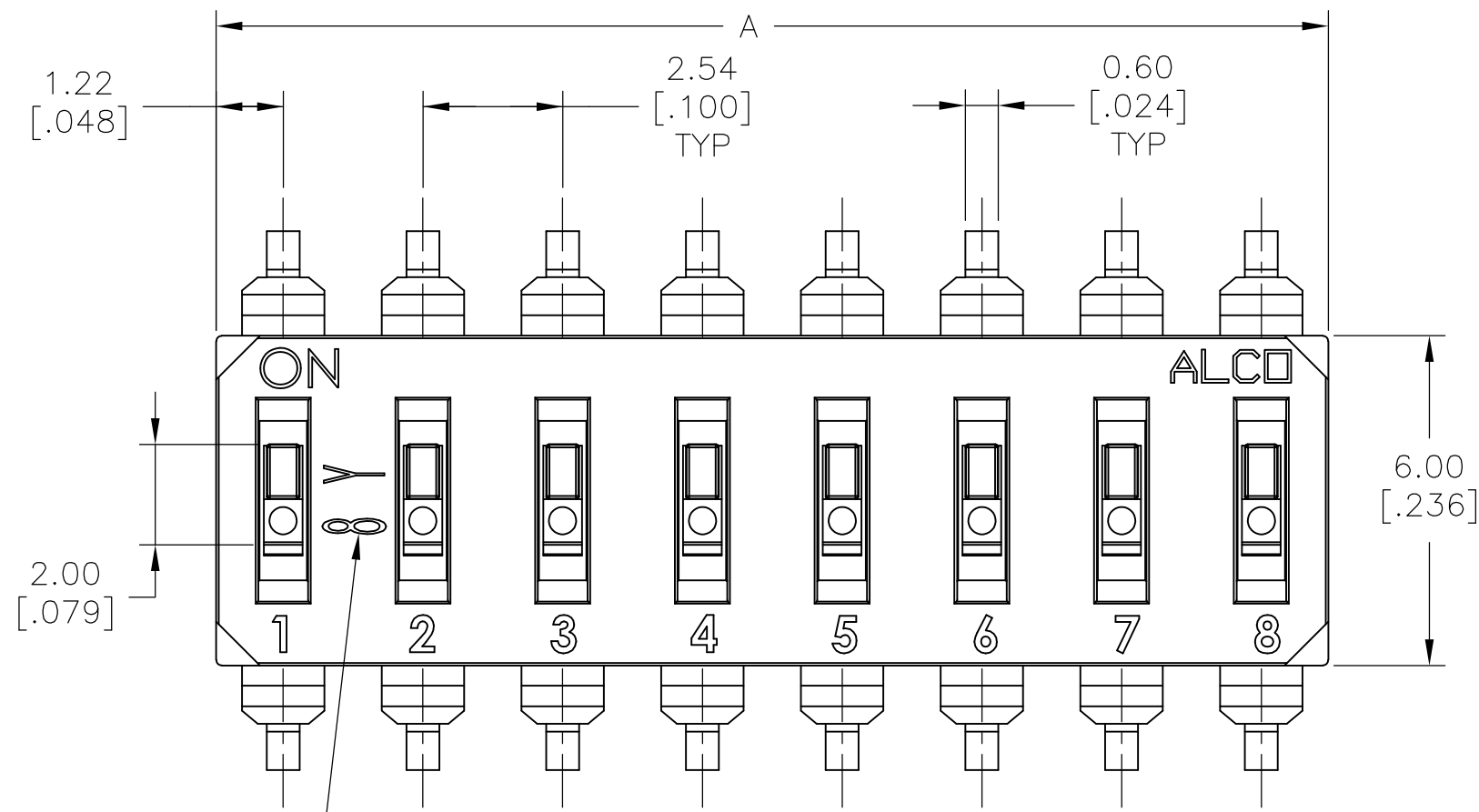


THIS DRAWING IS UNPUBLISHED. RELEASED FOR PUBLICATION
 © COPYRIGHT - TE Connectivity ALL RIGHTS RESERVED.

M SERIES RAISED ACTUATOR

REVISIONS				
P	LTR	DESCRIPTION	DATE	APVD
A		INITIAL RELEASE	29MAY2017	SK AS



$B \pm 0.10 = 2.54(P-1)$
 $[B \pm 0.004 = .1(P-1)]$

P.C.B. LAYOUT

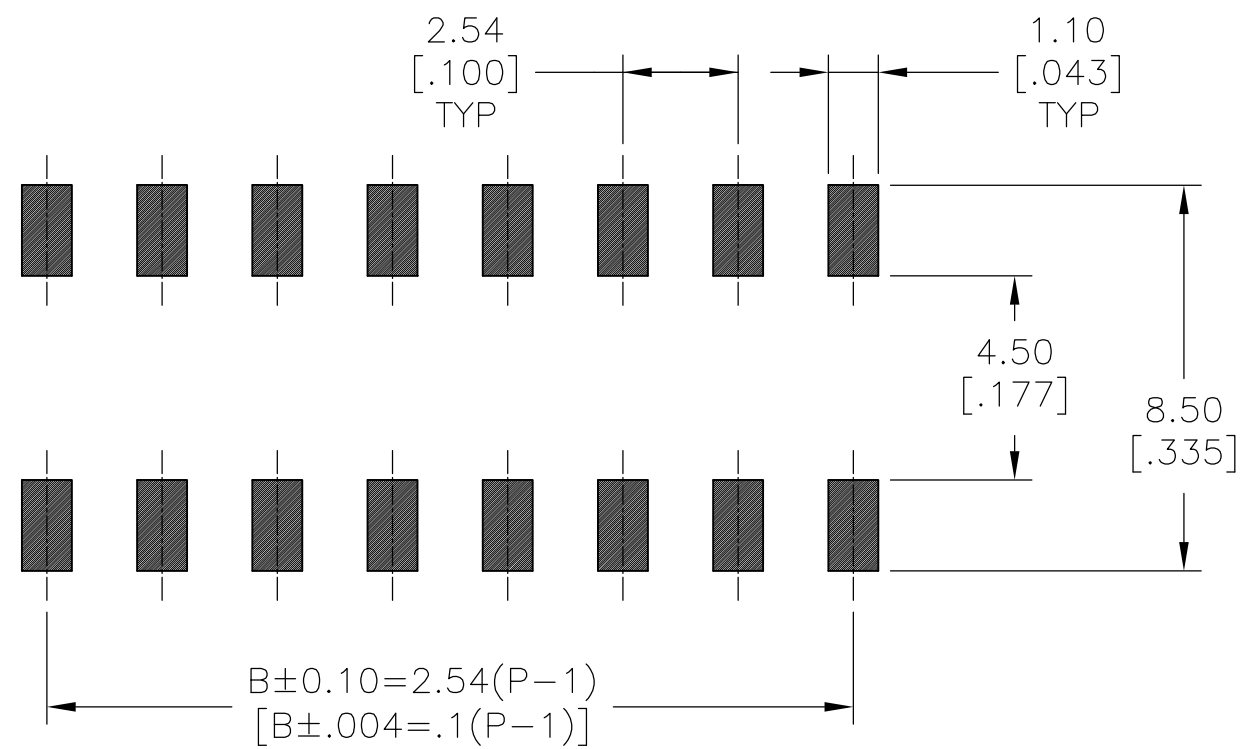
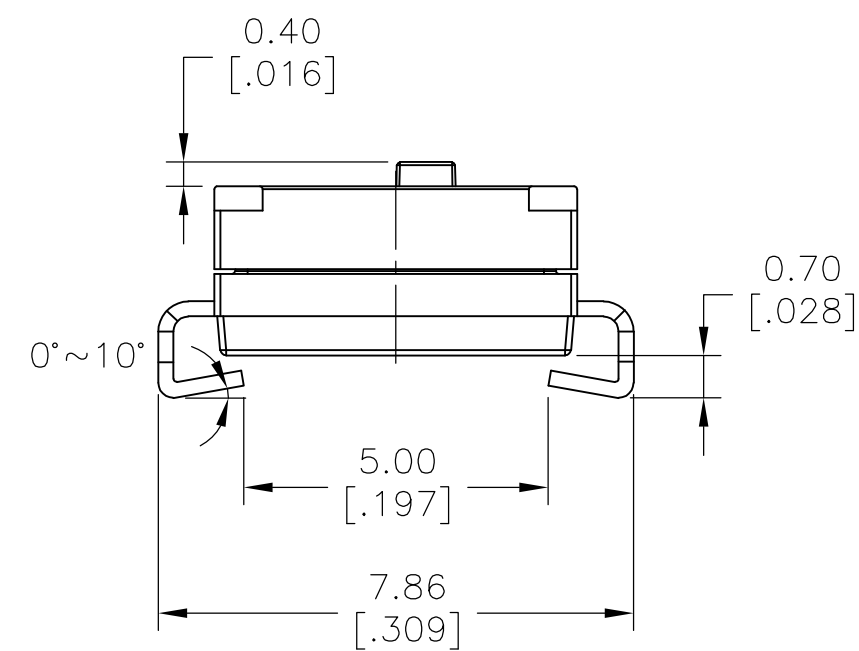
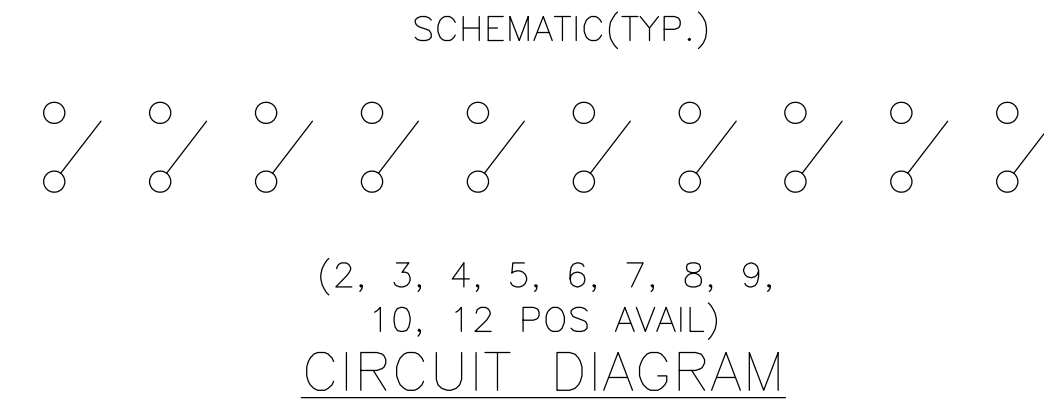
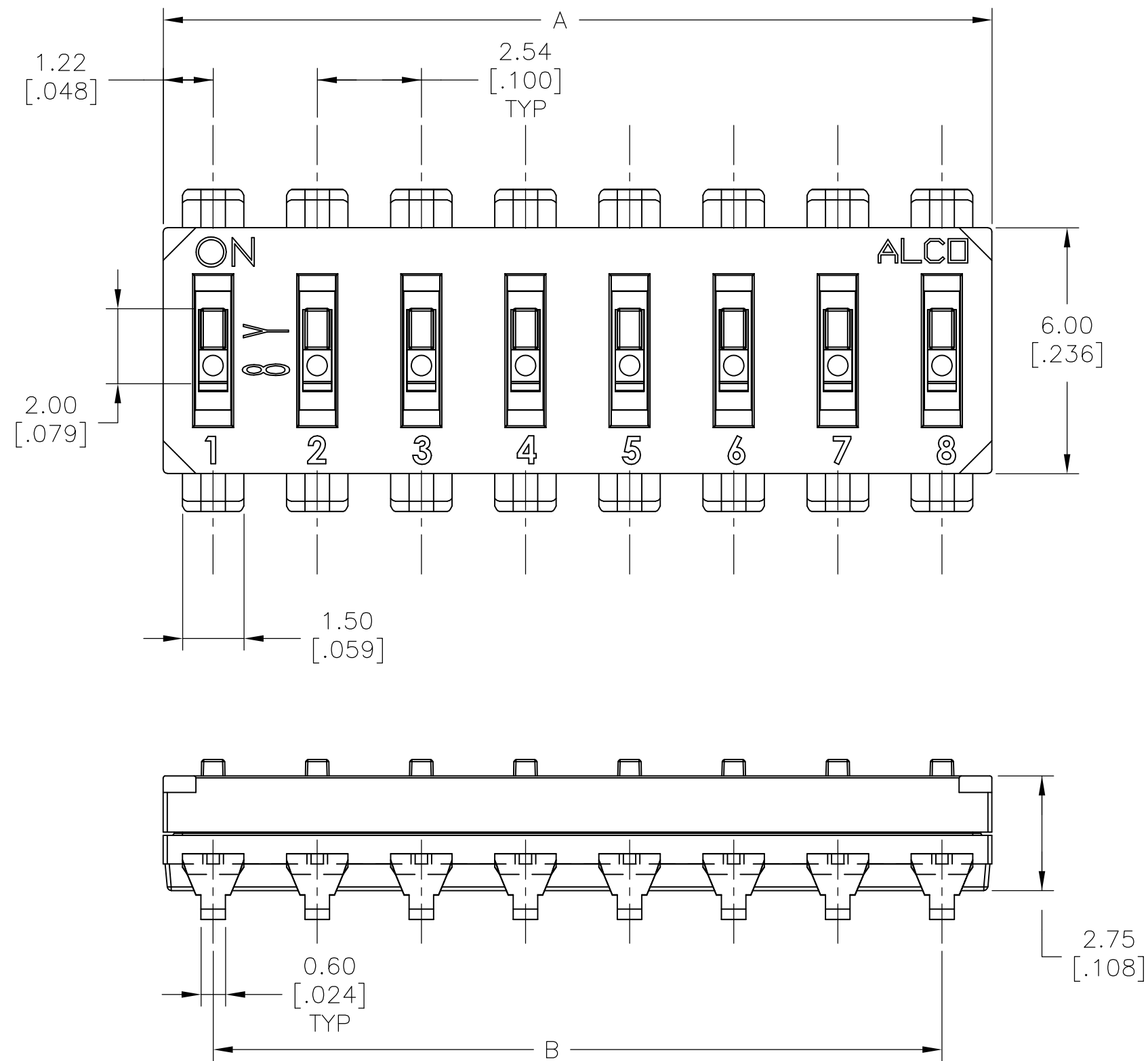
- EDS
- 04Q
- POSITIONS: 01,02,03,04,05,06, 07,08,09,10,12
- HALOGEN FREE
- ROHS COMPLIANT
- SMT: SG=GULL WING, SN=J STYLE
- PACKAGING: TU=TUBE, TR=TAPE AND REEL
- ACTUATOR: N=RAISED, R=RECESSED
- SEAL: N=NONE, S=TOP SEAL

THIS DRAWING IS A CONTROLLED DOCUMENT.		DWN: SHIVAKUMAR S S	TE Connectivity	
DIMENSIONS: mm[INCHES]		CHK: ALEXANDER SHARPE	NAME: END STACKABLE DIP SWITCHES RAISED ACTUATOR	
TOLERANCES UNLESS OTHERWISE SPECIFIED:		APVD: ALEXANDER SHARPE	SIZE: A2	
0 PLC ± -		PRODUCT SPEC	CAGE CODE: 00779	DRAWING NO: C=2319847
1 PLC ± -		APPLICATION SPEC	RESTRICTED TO	
2 PLC ± 0.20[.008]			SCALE: 1:1	SHEET: 1 of 4
3 PLC ± -			REV: A	
4 PLC ± -				
ANGLES ± -				
FINISH		WEIGHT		
MATERIAL		CUSTOMER DRAWING		

THIS DRAWING IS UNPUBLISHED. RELEASED FOR PUBLICATION
 © COPYRIGHT - TE Connectivity ALL RIGHTS RESERVED.

REVISIONS					
P	LTR	DESCRIPTION	DATE	DWN	APVD
-	-	SEE SHEET 1	-	-	-

J SERIES RAISED ACTUATOR



P.C.B. LAYOUT


THIS DRAWING IS A CONTROLLED DOCUMENT.		DWN 29MAY2017 SHIVAKUMAR S S		
DIMENSIONS: mm[INCHES]		CHK 12MAY2017 ALEXANDER SHARPE		
TOLERANCES UNLESS OTHERWISE SPECIFIED:		APVD 29MAY2017 ALEXANDER SHARPE	NAME	
0 PLC ± -		PRODUCT SPEC	END STACKABLE DIP SWITCHES RAISED ACTUATOR	
1 PLC ± -		APPLICATION SPEC	SIZE	CAGE CODE
2 PLC ± 0.20[.008]		WEIGHT	A2	00779
3 PLC ± -		CUSTOMER DRAWING	DRAWING NO	
4 PLC ± -		SCALE 1:1	C=2319847	
ANGLES ± -		SHEET 2 OF 4	RESTRICTED TO	
FINISH		REV A		

THIS DRAWING IS UNPUBLISHED. RELEASED FOR PUBLICATION
 © COPYRIGHT - TE Connectivity ALL RIGHTS RESERVED.

REVISIONS					
P	LTR	DESCRIPTION	DATE	DWN	APVD
-	-	SEE SHEET 1	-	-	-

NOTES	SERIES	B	A	No OF POSITION	TE DESCRIPTIVE PART NUMBER	TE PART NUMBER
		DIM				
3	J	27.94 [1.100]	30.38 [1.196]	12	EDS12SNNNTR04Q	4-2319847-2
		22.86 [.900]	25.3 [.996]	10	EDS10SNNNTR04Q	4-2319847-1
		20.32 [.800]	22.76 [.896]	09	EDS09SNNNTR04Q	4-2319847-0
		17.78 [.700]	20.22 [.796]	08	EDS08SNNNTR04Q	3-2319847-9
		15.24 [.600]	17.68 [.696]	07	EDS07SNNNTR04Q	3-2319847-8
		12.70 [.500]	15.14 [.596]	06	EDS06SNNNTR04Q	3-2319847-7
		10.16 [.400]	12.60 [.496]	05	EDS05SNNNTR04Q	3-2319847-6
		7.62 [.300]	10.06 [.396]	04	EDS04SNNNTR04Q	3-2319847-5
		5.08 [.200]	7.52 [.296]	03	EDS03SNNNTR04Q	3-2319847-4
	2.54 [.100]	4.98 [.196]	02	EDS02SNNNTR04Q	3-2319847-3	
	M	27.94 [1.100]	30.38 [1.196]	12	EDS12SGNNTR04Q	3-2319847-2
		22.86 [.900]	25.3 [.996]	10	EDS10SGNNTR04Q	3-2319847-1
		20.32 [.800]	22.76 [.896]	09	EDS09SGNNTR04Q	3-2319847-0
		17.78 [.700]	20.22 [.796]	08	EDS08SGNNTR04Q	2-2319847-9
		15.24 [.600]	17.68 [.696]	07	EDS07SGNNTR04Q	2-2319847-8
		12.70 [.500]	15.14 [.596]	06	EDS06SGNNTR04Q	2-2319847-7
		10.16 [.400]	12.60 [.496]	05	EDS05SGNNTR04Q	2-2319847-6
		7.62 [.300]	10.06 [.396]	04	EDS04SGNNTR04Q	2-2319847-5
5.08 [.200]		7.52 [.296]	03	EDS03SGNNTR04Q	2-2319847-4	
2.54 [.100]	4.98 [.196]	02	EDS02SGNNTR04Q	2-2319847-3		
-	2.44 [.096]	01	EDS01SGNNTR04Q	2-2319847-2		
	27.94 [1.100]	30.38 [1.196]	12	EDS12SNNNTU04Q	2-2319847-1	

NOTES	SERIES	B	A	No OF POSITION	TE DESCRIPTIVE PART NUMBER	TE PART NUMBER
		DIM				
2	J	22.86 [.900]	25.3 [.996]	10	EDS10SNNNTU04Q	2-2319847-0
		20.32 [.800]	22.76 [.896]	09	EDS09SNNNTU04Q	1-2319847-9
		17.78 [.700]	20.22 [.796]	08	EDS08SNNNTU04Q	1-2319847-8
		15.24 [.600]	17.68 [.696]	07	EDS07SNNNTU04Q	1-2319847-7
		12.70 [.500]	15.14 [.596]	06	EDS06SNNNTU04Q	1-2319847-6
		10.16 [.400]	12.60 [.496]	05	EDS05SNNNTU04Q	1-2319847-5
		7.62 [.300]	10.06 [.396]	04	EDS04SNNNTU04Q	1-2319847-4
		5.08 [.200]	7.52 [.296]	03	EDS03SNNNTU04Q	1-2319847-3
		2.54 [.100]	4.98 [.196]	02	EDS02SNNNTU04Q	1-2319847-2
	M	27.94 [1.100]	30.38 [1.196]	12	EDS12SGNNTU04Q	1-2319847-1
		22.86 [.900]	25.3 [.996]	10	EDS10SGNNTU04Q	1-2319847-0
		20.32 [.800]	22.76 [.896]	09	EDS09SGNNTU04Q	2319847-9
		17.78 [.700]	20.22 [.796]	08	EDS08SGNNTU04Q	2319847-8
		15.24 [.600]	17.68 [.696]	07	EDS07SGNNTU04Q	2319847-7
		12.70 [.500]	15.14 [.596]	06	EDS06SGNNTU04Q	2319847-6
		10.16 [.400]	12.60 [.496]	05	EDS05SGNNTU04Q	2319847-5
		7.62 [.300]	10.06 [.396]	04	EDS04SGNNTU04Q	2319847-4
		5.08 [.200]	7.52 [.296]	03	EDS03SGNNTU04Q	2319847-3
2.54 [.100]	4.98 [.196]	02	EDS02SGNNTU04Q	2319847-2		
-	2.44 [.096]	01	EDS01SGNNTU04Q	2319847-1		

THIS DRAWING IS A CONTROLLED DOCUMENT.		DWN 29MAY2017 SHIVAKUMAR S S	 TE Connectivity	
DIMENSIONS: mm[INCHES]		CHK 12MAY2017 ALEXANDER SHARPE		
TOLERANCES UNLESS OTHERWISE SPECIFIED:		APVD 29MAY2017 ALEXANDER SHARPE	NAME	
0 PLC ± - 1 PLC ± - 2 PLC ± 0.20[.008] 3 PLC ± - 4 PLC ± - ANGLES ± -		PRODUCT SPEC	END STACKABLE DIP SWITCHES RAISED ACTUATOR	
MATERIAL		APPLICATION SPEC	SIZE	CAGE CODE
FINISH		WEIGHT	A2	00779
		CUSTOMER DRAWING	DRAWING NO	RESTRICTED TO
		SCALE 1:1	SHEET 3 of 4	REV A

THIS DRAWING IS UNPUBLISHED. RELEASED FOR PUBLICATION
 © COPYRIGHT - TE Connectivity ALL RIGHTS RESERVED.

REVISIONS					
P	LTR	DESCRIPTION	DATE	DWN	APVD
-	-	SEE SHEET 1	-	-	-

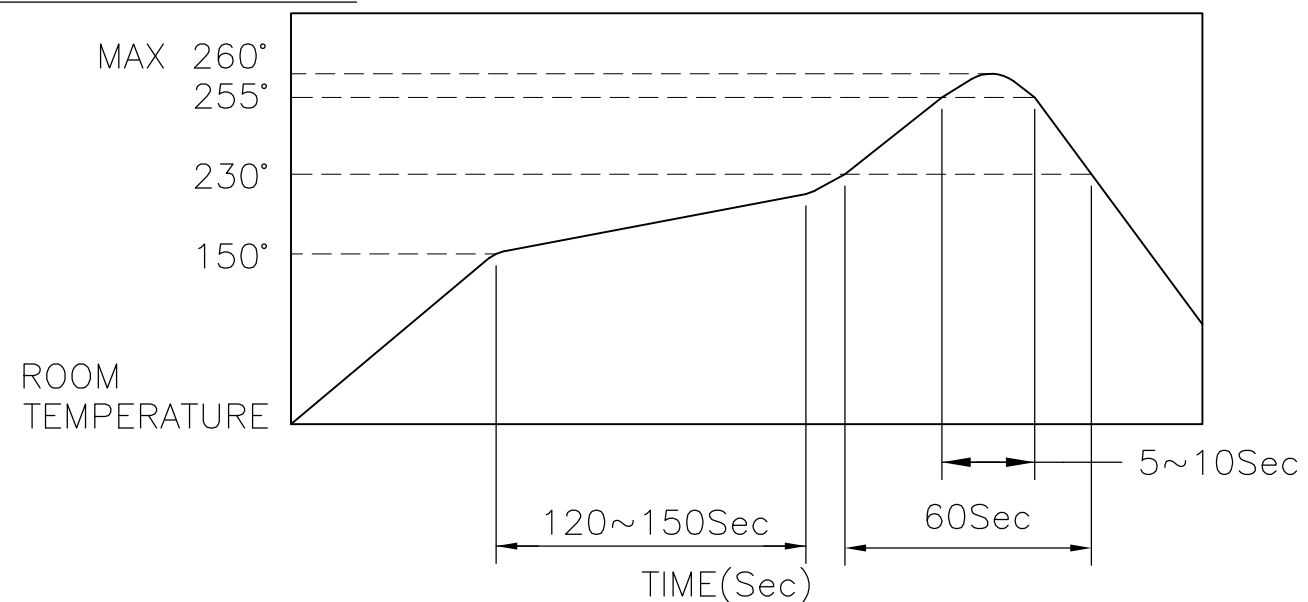
SOLDERING CONDITIONS:

THE CONDITIONS MENTIONED BELOW IS THE TEMPERATURE ON THE CU FOIL OF THE P.C.B SURFACE. DO NOT ALLOW THE SWITCH'S SURFACE TEMPERATURE TO EXCEED 260°C.

MANUAL SOLDERING

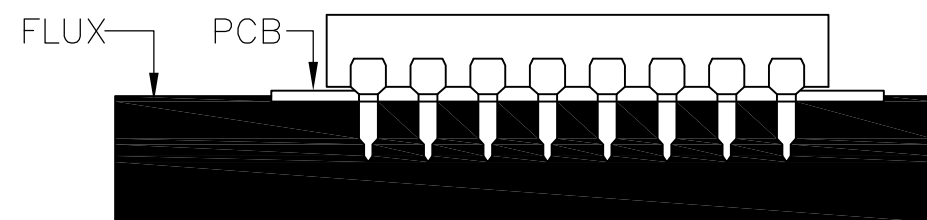
SOLDERING TEMPERATURE	MAX. 350°C.
CONTINUOUS SOLDERING TIME	MAX. 5 SECONDS.

REFLOW SOLDERING



HANDLING PRECAUTIONS

- CARE SHOULD BE EXERCISED SO THAT FLUX FROM THE UPPER PART OF THE PRINTED CIRCUIT BOARD DOES NOT ADHERE TO THE SWITCH.
- DON'T CLEAN THE SWITCH BODY EXCEPT WITH TOP TAPE SEALED TYPE, WHICH CAN ONLY SPRAY OF CLEANING METHOD FROM TOP OF S/W.
- ENSURE FLUX DOES NOT RISE ABOVE THE TOP SURFACE OF THE PCB.



SPECIFICATIONS:

MATERIALS:

BASE: PA (HIGH-TEMP. NYLON) UL94V-0
 COVER: PA (HIGH-TEMP. NYLON) UL94V-0
 ACTUATOR: LCP UL94V-0
 CONTACT: COPPER ALLOY, GOLD (in contact area)
 OVER NICKEL PLATE
 TERMINAL: BRASS ALLOY, GOLD PLATE
 TAPE: POLYAMIDE.

ELECTRICAL:

CONTACT RATING: NON-SWITCHING 100mA @ 50 VDC.
 SWITCHING: 25mA @ 24 VDC.
 INITIAL CONTACT RESISTANCE: 100mΩ MAX. @ 2 VDC. 10mA.
 INSULATION RESISTANCE: 100 MEGOHMS MIN. @ 500 VDC,
 1 MINUTE +/- 5 SECONDS.
 DIELECTRIC STRENGTH: 500 VAC (50 OR 60 HZ), 1 MINUTE.
 DURABILITY: 2,000 CYCLES.
 CAPACITANCE: 5 pF MAX @ 1 MHz +/- 10 KHz.

MECHANICAL:

OPERATING FORCE: 1000gf MAX.

ENVIRONMENTAL:

OPERATING TEMPERATURE: -20°C TO +85°C.
 STORAGE TEMPERATURE: -40°C TO +85°C.
 SOLDER HEAT RESISTANCE PER 109-201, CONDITION B.
 SOLDERABILITY PER JIS C 0050 & JIS C 0053.

NOTES:

1 ALL MATERIALS AND FINISHES SHALL COMPLY WITH EU DIRECTIVE 2002/95/EC OF 27 JAN 2003 (ROHS).



2 TUBE PACKAGING.



3 TAPE AND REEL PACKAGING.

THIS DRAWING IS A CONTROLLED DOCUMENT.		DWN 29MAY2017 SHIVAKUMAR S S		
DIMENSIONS: mm[INCHES]		CHK 12MAY2017 ALEXANDER SHARPE		
TOLERANCES UNLESS OTHERWISE SPECIFIED:		APVD 29MAY2017 ALEXANDER SHARPE	NAME	
0 PLC ± -		PRODUCT SPEC	END STACKABLE DIP SWITCHES RAISED ACTUATOR	
1 PLC ± -		APPLICATION SPEC	SIZE	CAGE CODE
2 PLC ± 0.20[.008]		WEIGHT	A2	00779
3 PLC ± -		CUSTOMER DRAWING	SCALE	1:1
4 PLC ± -			SHEET	4 OF 4
ANGLES ± -			REV	A
FINISH			DRAWING NO	2319847
MATERIAL			RESTRICTED TO	-

X-ON Electronics

Largest Supplier of Electrical and Electronic Components

Click to view similar products for [DIP Switches/SIP Switches](#) category:

Click to view products by [TE Connectivity](#) manufacturer:

Other Similar products are found below :

[79B10T](#) [8136-475G4T](#) [G7G-1A2-CB-DC12](#) [DRR60016](#) [DRS4016](#) [1825444-1](#) [200183](#) [206002](#) [219-6LPSTRF](#) [25.350.0653.0](#) [SBS 5004 TG](#)
[SDA10H1BDA](#) [97R06ST](#) [A2C-2A5](#) [1825444-7](#) [ADE08SA04](#) [ADE12S04](#) [192960010](#) [206005RAS](#) [206007](#) [2-1825058-8](#) [25.352.0353.0](#)
[CXDRIVEV2X](#) [LA2-002-DC24](#) [DSR02T](#) [E2FMX2D1M1TGJ03M](#) [NDI10H](#) [219-9MSTP](#) [EPM02FV](#) [206010RAST](#) [76SB05](#) [TD06H0SK1](#)
[Z7.255.9027.0](#) [1-1825058-3](#) [1825428-4](#) [219-10LPSTF](#) [E3ZG6111D03M](#) [G4D212PUSTV2DC5](#) [HARW0002](#) [EPG301BT06](#) [1-1825058-6](#)
[E3TSL23M5J03M](#) [Y5795](#) [7R0060](#) [HARW0001](#) [ADE07S04](#) [432220096](#) [206005](#) [206006](#) [206010](#)