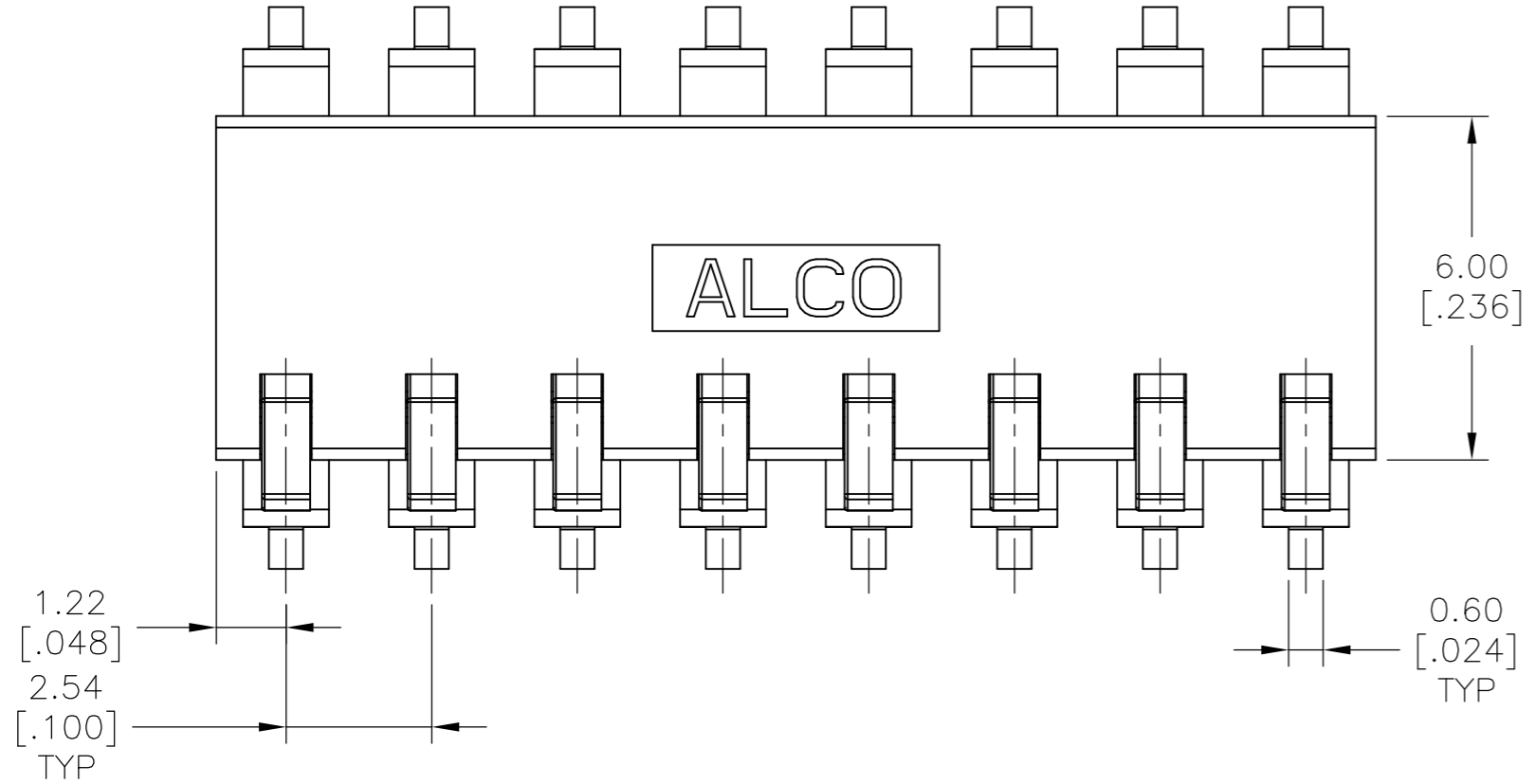
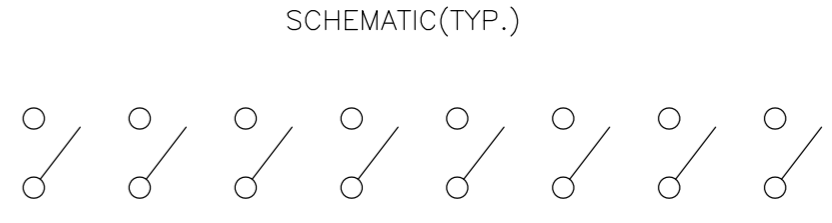
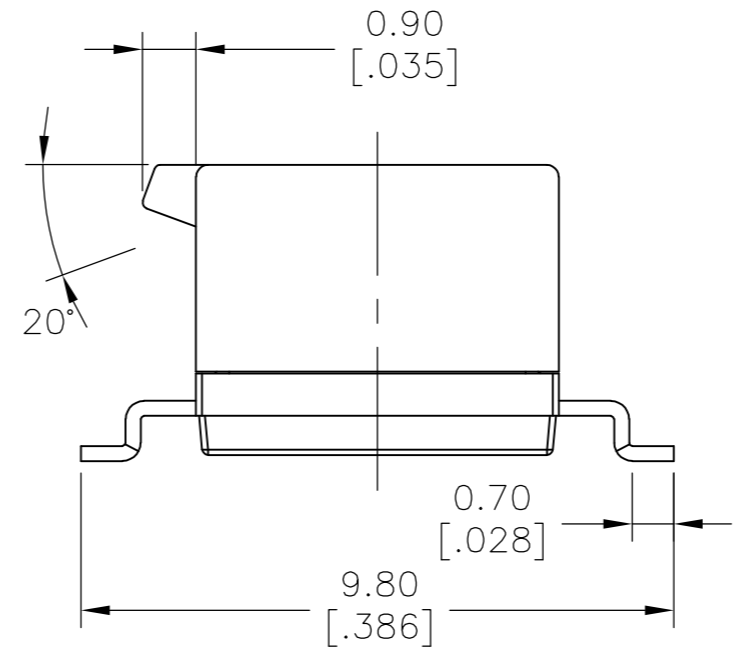
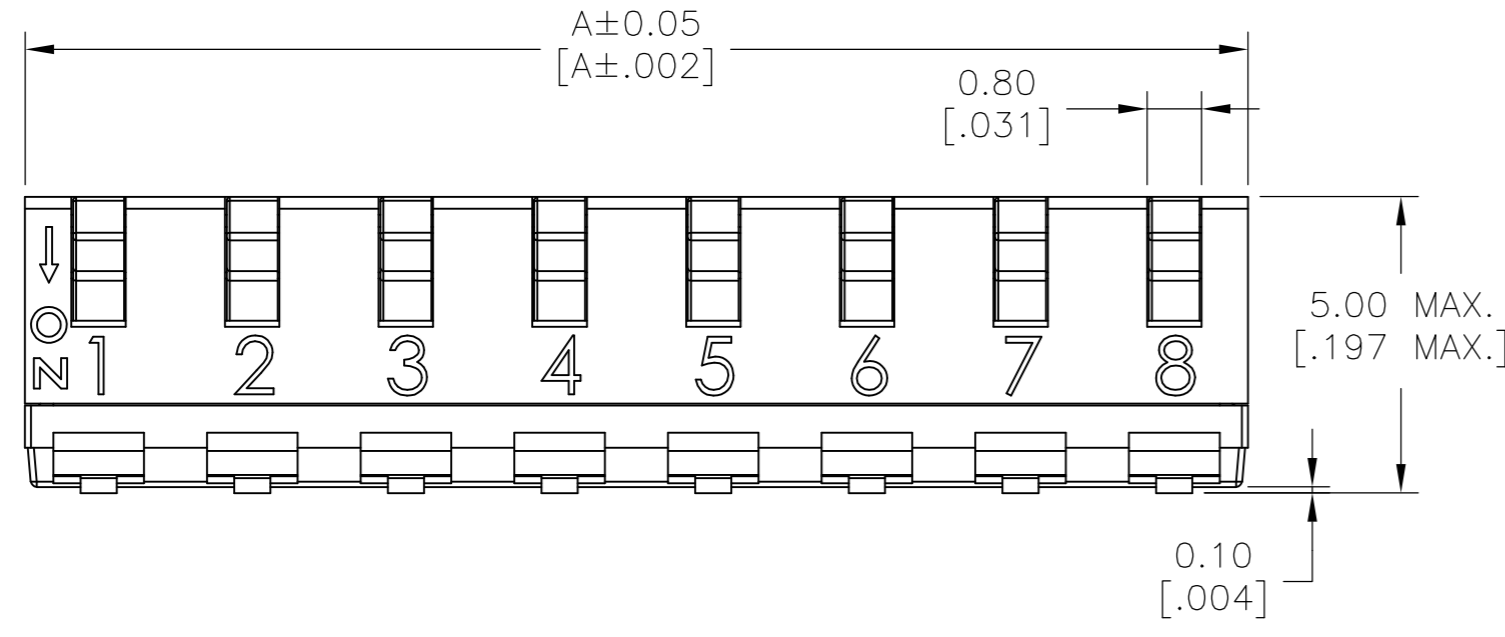
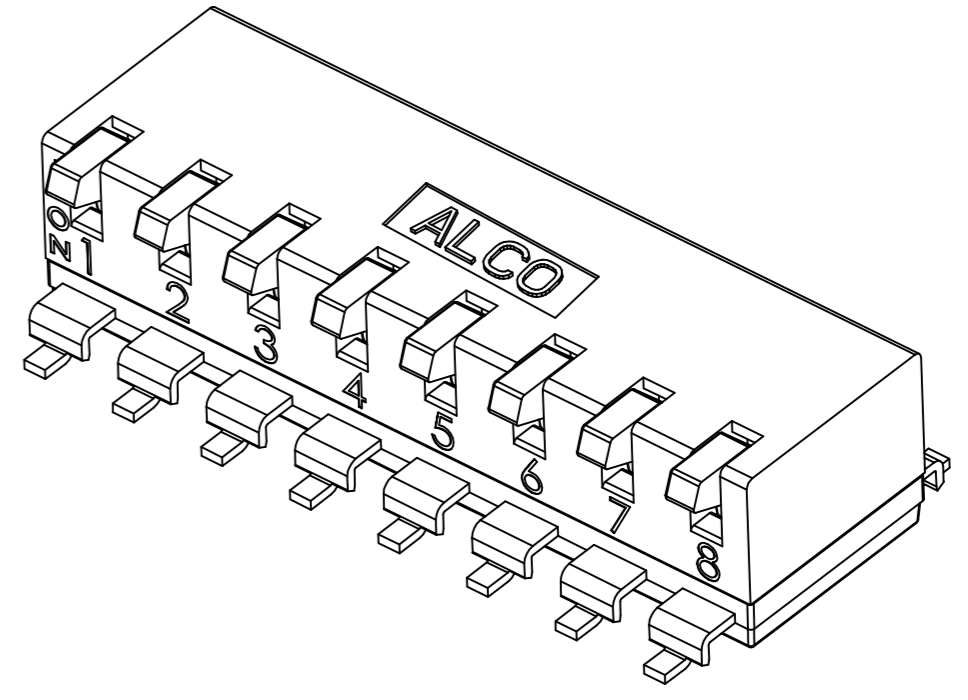


THIS DRAWING IS UNPUBLISHED. RELEASED FOR PUBLICATION
 © COPYRIGHT - TE Connectivity ALL RIGHTS RESERVED.

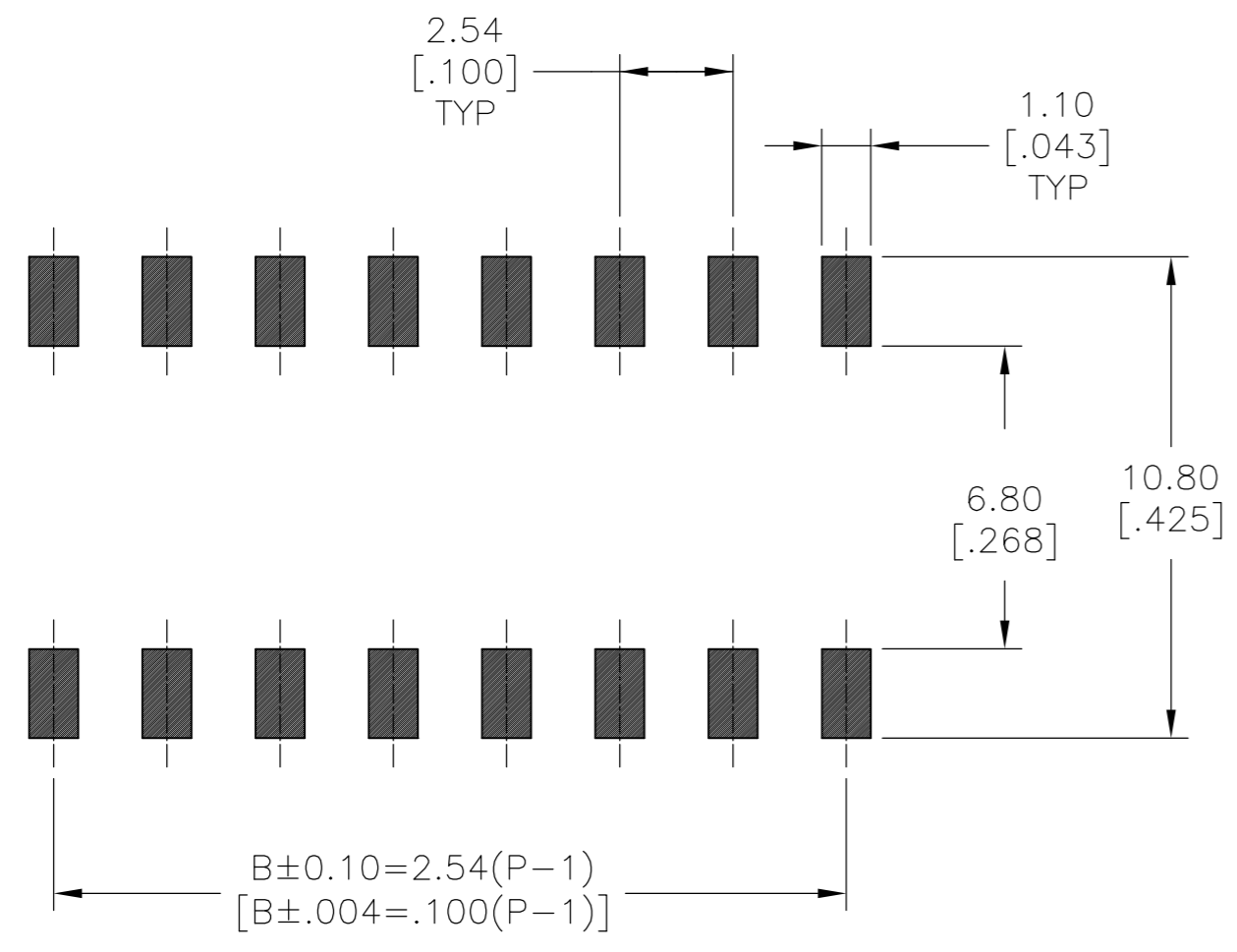
REVISIONS					
P	LTR	DESCRIPTION	DATE	DWN	APVD
A		INITIAL RELEASE	29MAY2017	SK	AS



LONG ACTUATOR
 PUSH DOWN ON



(2, 4, 6, 8, 10 POS AVAIL)
 CIRCUIT DIAGRAM



P.C.B. LAYOUT

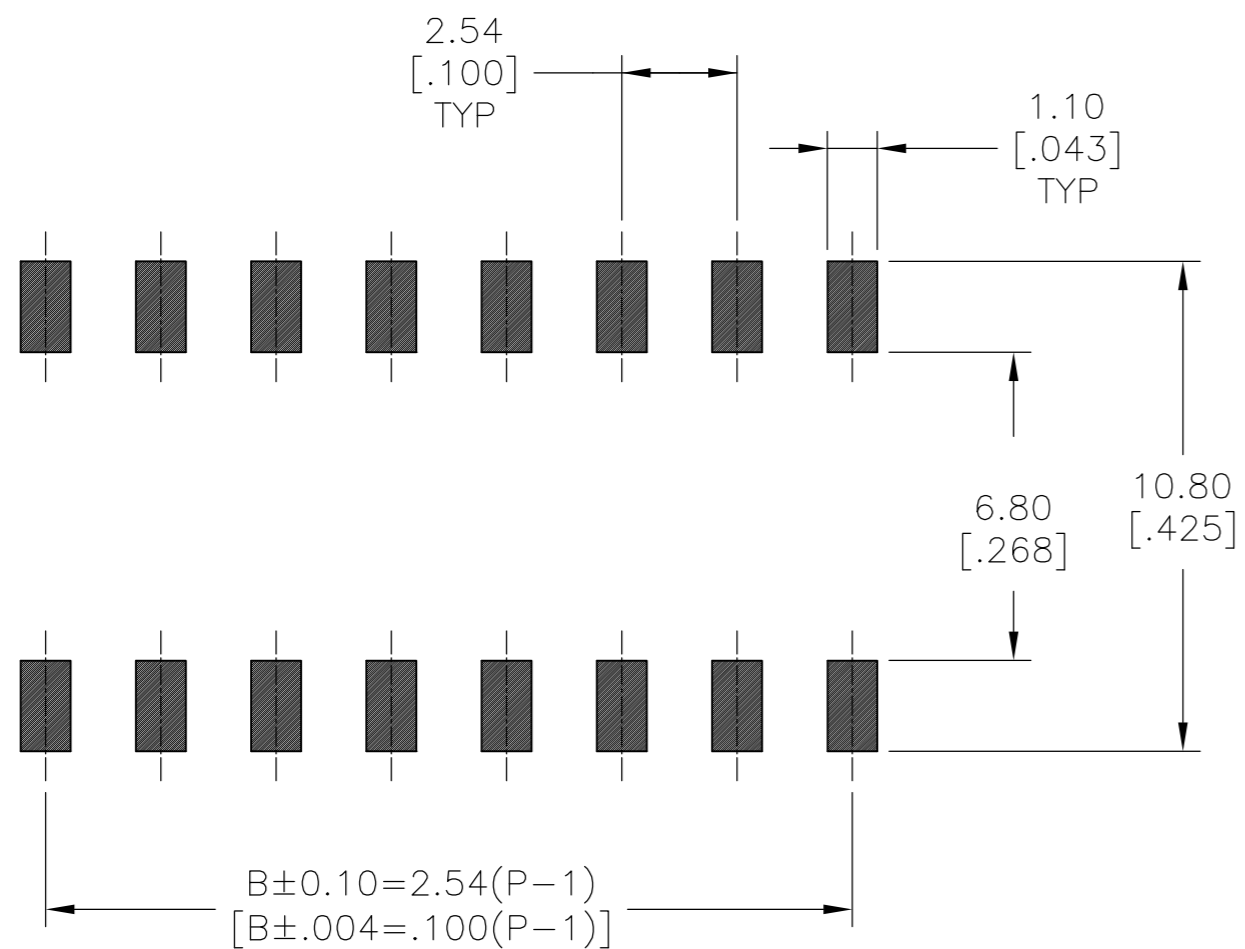
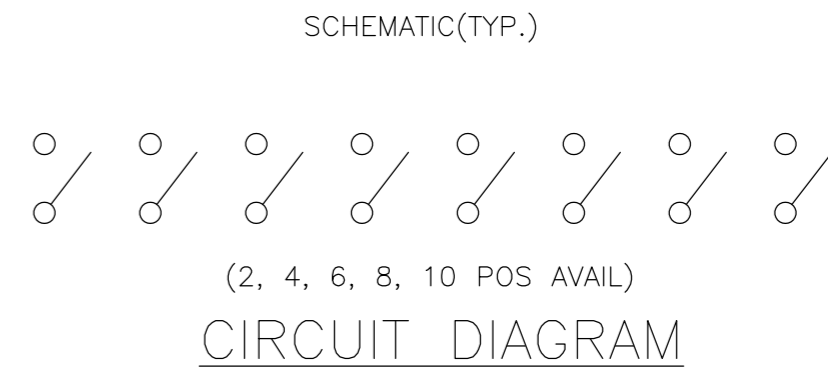
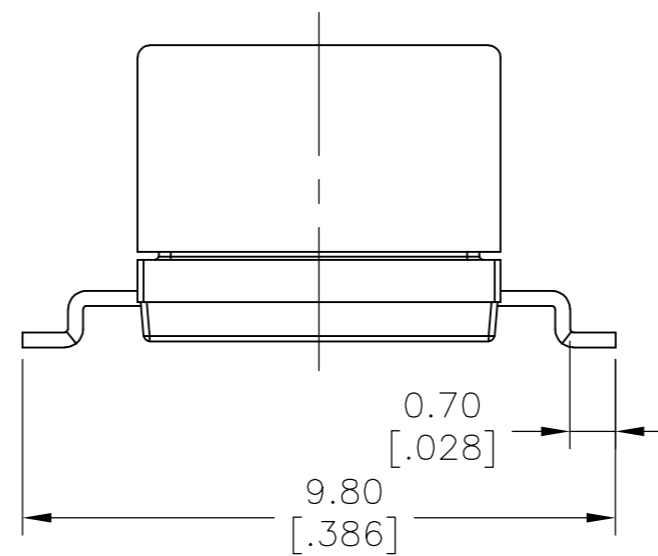
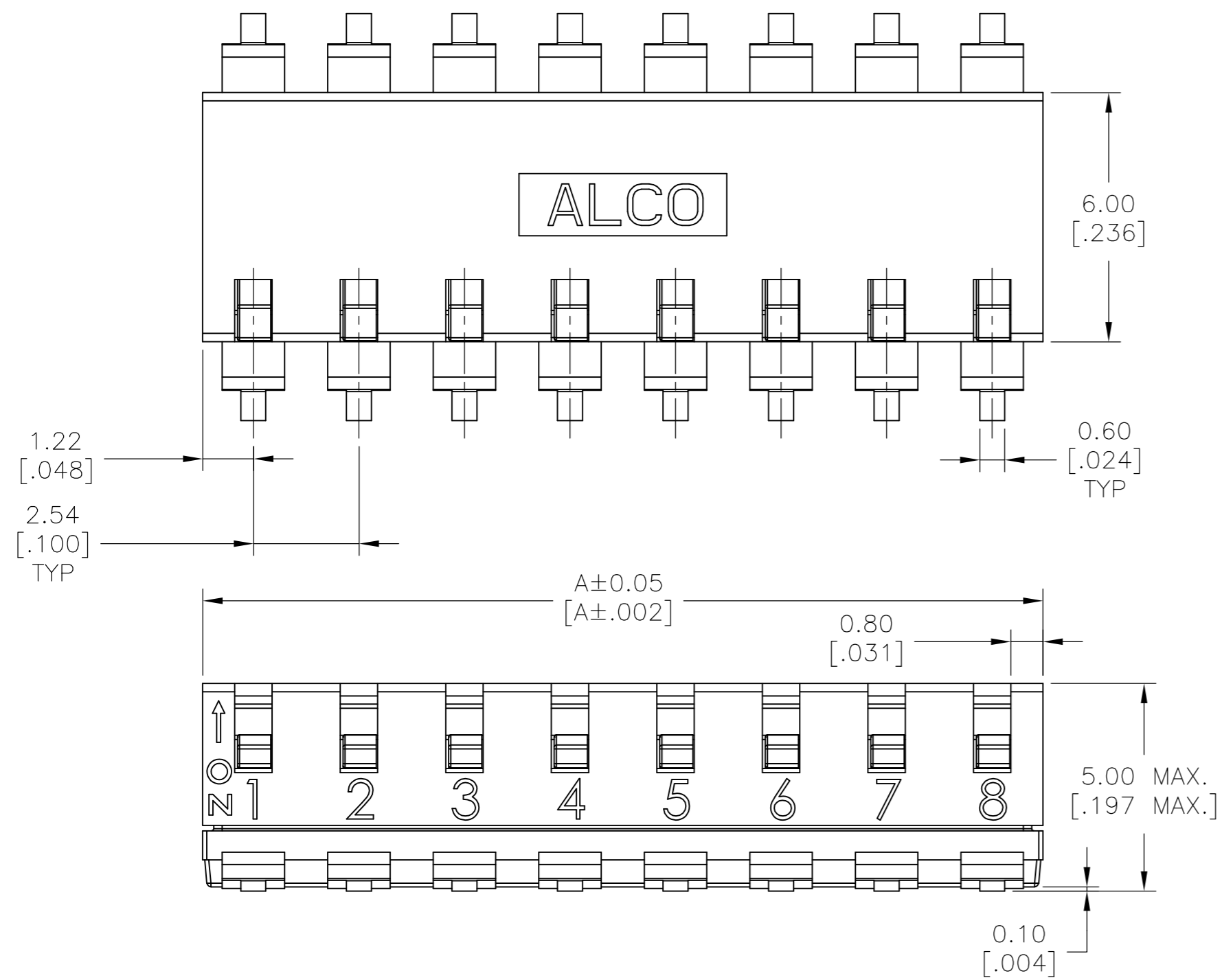
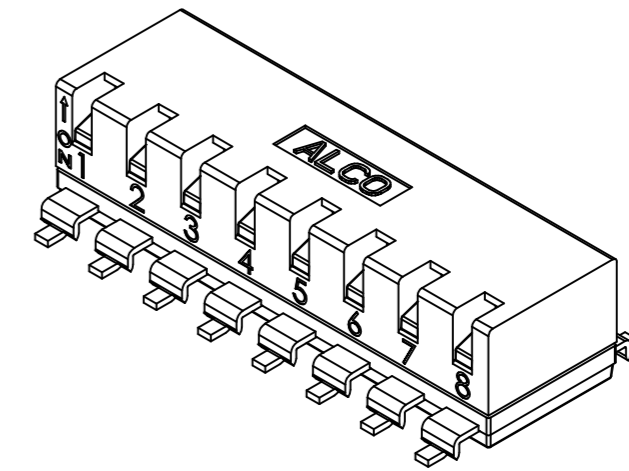
- EDSP
- SG
- 04
- ROHS COMPLIANT
- PACKAGING:
TU=TUBE
TR=TAPE AND REEL
- SEAL:
N=NONE
S=TOP SEAL
- ACTUATOR:
L=LONG
R=SHORT
- ACTUATION:
N=PUSH DOWN ON
F=PUSH UP ON
- POSITIONS:
02,04,06,08,10
- SMT:GULL WING

THIS DRAWING IS A CONTROLLED DOCUMENT.		DWN SHIVAKUMAR S S 12MAY2017																				
DIMENSIONS: mm[INCHES]		CHK ALEXANDER SHARPE 12MAY2017																				
TOLERANCES UNLESS OTHERWISE SPECIFIED:		APVD ALEXANDER SHARPE 12MAY2017	NAME PIANO DIP SWITCH END STACKABLE																			
<table border="0"> <tr><td>0 PLC</td><td>±</td><td>-</td></tr> <tr><td>1 PLC</td><td>±</td><td>-</td></tr> <tr><td>2 PLC</td><td>±</td><td>0.20[.008]</td></tr> <tr><td>3 PLC</td><td>±</td><td>-</td></tr> <tr><td>4 PLC</td><td>±</td><td>-</td></tr> <tr><td>ANGLES</td><td>±</td><td>-</td></tr> </table>		0 PLC	±	-	1 PLC	±	-	2 PLC	±	0.20[.008]	3 PLC	±	-	4 PLC	±	-	ANGLES	±	-	PRODUCT SPEC	SIZE A2	
0 PLC	±	-																				
1 PLC	±	-																				
2 PLC	±	0.20[.008]																				
3 PLC	±	-																				
4 PLC	±	-																				
ANGLES	±	-																				
MATERIAL		APPLICATION SPEC	CAGE CODE 00779	DRAWING NO C=2319764																		
FINISH		WEIGHT	RESTRICTED TO	SCALE 1:1																		
		CUSTOMER DRAWING	SHEET 1 of 4	REV A																		

THIS DRAWING IS UNPUBLISHED. RELEASED FOR PUBLICATION
 © COPYRIGHT - TE Connectivity ALL RIGHTS RESERVED.

REVISIONS					
P	LTR	DESCRIPTION	DATE	DWN	APVD
-	-	SEE SHEET 1	-	-	-

SHORT ACTUATOR
PUSH UP ON



P.C.B. LAYOUT

THIS DRAWING IS A CONTROLLED DOCUMENT.		DWN 12MAY2017 SHIVAKUMAR S S					
DIMENSIONS: mm[INCHES]		CHK 12MAY2017 ALEXANDER SHARPE					
TOLERANCES UNLESS OTHERWISE SPECIFIED:		APVD 12MAY2017 ALEXANDER SHARPE	NAME PIANO DIP SWITCH END STACKABLE				
0 PLC ± - 1 PLC ± - 2 PLC ± 0.20[.008] 3 PLC ± - 4 PLC ± - ANGLES ± - FINISH -		PRODUCT SPEC -	SIZE A2	CAGE CODE 00779	DRAWING NO C=2319764	RESTRICTED TO -	
MATERIAL -		WEIGHT -	CUSTOMER DRAWING		SCALE 1:1	SHEET 2 of 4	REV A

THIS DRAWING IS UNPUBLISHED. RELEASED FOR PUBLICATION
 © COPYRIGHT - TE Connectivity ALL RIGHTS RESERVED.

REVISIONS					
P	LTR	DESCRIPTION	DATE	DWN	APVD
-	-	SEE SHEET 1	-	-	-

YES	DOWN ON	UP ON	3	B	A	No OF POSITION	TE DESCRIPTIVE PART NUMBER	TE PART NUMBER
TAPE	ACTUATOR TYPE	ACTUATION PUSH	NOTE	DIM				
				7.62 [.300]	10.06 [.396]	04	EDSP04SGRNSTR04	5-2319764-2
				2.54 [.100]	4.98 [.196]	02	EDSP02SGRNSTR04	5-2319764-1
				22.86 [.900]	25.30 [.996]	10	EDSP10SGRFNTR04	5-2319764-0
				17.78 [.700]	20.22 [.796]	08	EDSP08SGRFNTR04	4-2319764-9
				12.70 [.500]	15.14 [.596]	06	EDSP06SGRFNTR04	4-2319764-8
				7.62 [.300]	10.06 [.396]	04	EDSP04SGRFNTR04	4-2319764-7
				2.54 [.100]	4.98 [.196]	02	EDSP02SGRFNTR04	4-2319764-6
				22.86 [.900]	25.30 [.996]	10	EDSP10SGLFNTR04	4-2319764-5
				17.78 [.700]	20.22 [.796]	08	EDSP08SGLFNTR04	4-2319764-4
				12.70 [.500]	15.14 [.596]	06	EDSP06SGLFNTR04	4-2319764-3
				7.62 [.300]	10.06 [.396]	04	EDSP04SGLFNTR04	4-2319764-2
				2.54 [.100]	4.98 [.196]	02	EDSP02SGLFNTR04	4-2319764-1
				22.86 [.900]	25.30 [.996]	10	EDSP10SGRNNTRO4	4-2319764-0
				17.78 [.700]	20.22 [.796]	08	EDSP08SGRNNTRO4	3-2319764-9
				12.70 [.500]	15.14 [.596]	06	EDSP06SGRNNTRO4	3-2319764-8
				7.62 [.300]	10.06 [.396]	04	EDSP04SGRNNTRO4	3-2319764-7
				2.54 [.100]	4.98 [.196]	02	EDSP02SGRNNTRO4	3-2319764-6
				22.86 [.900]	25.30 [.996]	10	EDSP10SGLNNTRO4	3-2319764-5
				17.78 [.700]	20.22 [.796]	08	EDSP08SGLNNTRO4	3-2319764-4
				12.70 [.500]	15.14 [.596]	06	EDSP06SGLNNTRO4	3-2319764-3
				7.62 [.300]	10.06 [.396]	04	EDSP04SGLNNTRO4	3-2319764-2
				2.54 [.100]	4.98 [.196]	02	EDSP02SGLNNTRO4	3-2319764-1
				22.86 [.900]	25.30 [.996]	10	EDSP10SGRFSTU04	3-2319764-0
				17.78 [.700]	20.22 [.796]	08	EDSP08SGRFSTU04	2-2319764-9
				12.70 [.500]	15.14 [.596]	06	EDSP06SGRFSTU04	2-2319764-8
				7.62 [.300]	10.06 [.396]	04	EDSP04SGRFSTU04	2-2319764-7

YES	DOWN ON	UP ON	2	B	A	No OF POSITION	TE DESCRIPTIVE PART NUMBER	TE PART NUMBER
TAPE	ACTUATOR TYPE	ACTUATION PUSH	NOTE	DIM				
				2.54 [.100]	4.98 [.196]	02	EDSP02SGRFSTU04	2-2319764-6
				22.86 [.900]	25.30 [.996]	10	EDSP10SGRNSTU04	2-2319764-5
				17.78 [.700]	20.22 [.796]	08	EDSP08SGRNSTU04	2-2319764-4
				12.70 [.500]	15.14 [.596]	06	EDSP06SGRNSTU04	2-2319764-3
				7.62 [.300]	10.06 [.396]	04	EDSP04SGRNSTU04	2-2319764-2
				2.54 [.100]	4.98 [.196]	02	EDSP02SGRNSTU04	2-2319764-1
				22.86 [.900]	25.30 [.996]	10	EDSP10SGRFNTU04	2-2319764-0
				17.78 [.700]	20.22 [.796]	08	EDSP08SGRFNTU04	1-2319764-9
				12.70 [.500]	15.14 [.596]	06	EDSP06SGRFNTU04	1-2319764-8
				7.62 [.300]	10.06 [.396]	04	EDSP04SGRFNTU04	1-2319764-7
				2.54 [.100]	4.98 [.196]	02	EDSP02SGRFNTU04	1-2319764-6
				22.86 [.900]	25.30 [.996]	10	EDSP10SGLFNTU04	1-2319764-5
				17.78 [.700]	20.22 [.796]	08	EDSP08SGLFNTU04	1-2319764-4
				12.70 [.500]	15.14 [.596]	06	EDSP06SGLFNTU04	1-2319764-3
				7.62 [.300]	10.06 [.396]	04	EDSP04SGLFNTU04	1-2319764-2
				2.54 [.100]	4.98 [.196]	02	EDSP02SGLFNTU04	1-2319764-1
				22.86 [.900]	25.30 [.996]	10	EDSP10SGRNNTU04	1-2319764-0
				17.78 [.700]	20.22 [.796]	08	EDSP08SGRNNTU04	2319764-9
				12.70 [.500]	15.14 [.596]	06	EDSP06SGRNNTU04	2319764-8
				7.62 [.300]	10.06 [.396]	04	EDSP04SGRNNTU04	2319764-7
				2.54 [.100]	4.98 [.196]	02	EDSP02SGRNNTU04	2319764-6
				22.86 [.900]	25.30 [.996]	10	EDSP10SGLNNTU04	2319764-5
				17.78 [.700]	20.22 [.796]	08	EDSP08SGLNNTU04	2319764-4
				12.70 [.500]	15.14 [.596]	06	EDSP06SGLNNTU04	2319764-3
				7.62 [.300]	10.06 [.396]	04	EDSP04SGLNNTU04	2319764-2
				2.54 [.100]	4.98 [.196]	02	EDSP02SGLNNTU04	2319764-1

THIS DRAWING IS A CONTROLLED DOCUMENT.		DWN 12MAY2017 SHIVAKUMAR S S			PIANO DIP SWITCH END STACKABLE	
DIMENSIONS: mm[INCHES]		CHK 12MAY2017 ALEXANDER SHARPE			RESTRICTED TO	
TOLERANCES UNLESS OTHERWISE SPECIFIED:		APVD 12MAY2017 ALEXANDER SHARPE	NAME		SIZE	
0 PLC ± -		PRODUCT SPEC	APPLICATION SPEC		CAGE CODE	
1 PLC ± -		APPLIC. SPEC	DRAWING NO		DRAWING NO	
2 PLC ± 0.20[.008]		WEIGHT	SCALE		SHEET	
3 PLC ± -		CUSTOMER DRAWING	1:1		3 OF 4	
4 PLC ± -		FINISH	REV		A	
ANGLES ± -						
MATERIAL						

THIS DRAWING IS UNPUBLISHED. RELEASED FOR PUBLICATION
 © COPYRIGHT - TE Connectivity ALL RIGHTS RESERVED.

REVISIONS					
P	LTR	DESCRIPTION	DATE	DWN	APVD
-	-	SEE SHEET 1	-	-	-

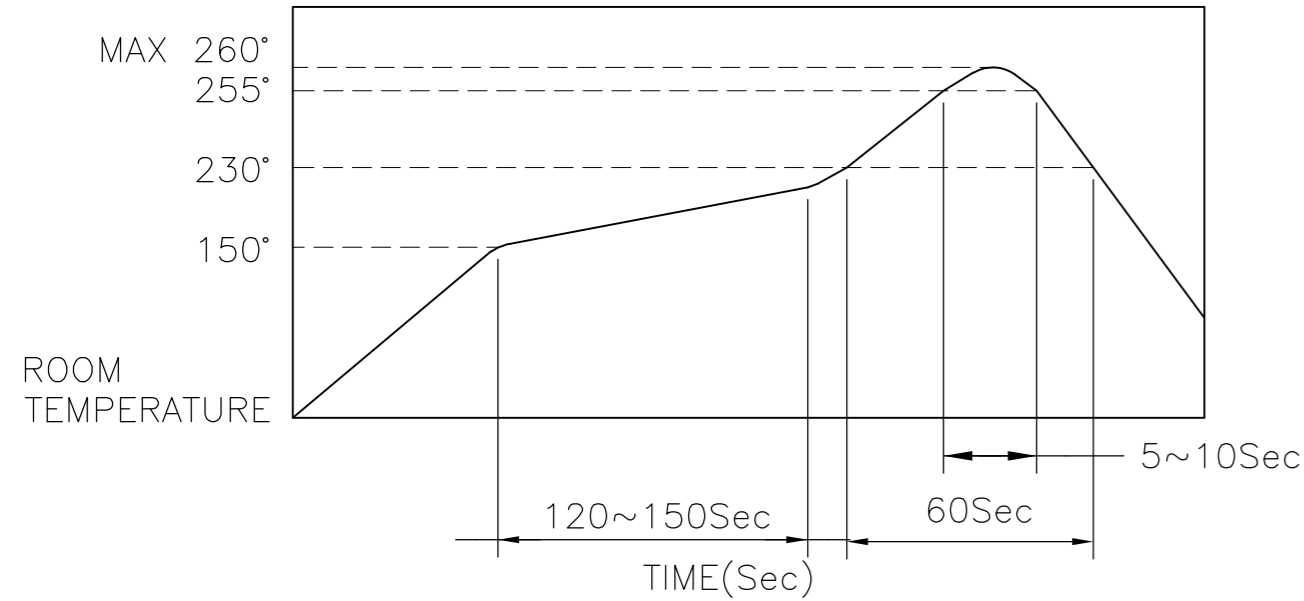
SOLDERING CONDITIONS:

THE CONDITIONS MENTIONED BELOW IS THE TEMPERATURE ON THE CU FOIL OF THE P.C.B SURFACE. DO NOT ALLOW THE SWITCH'S SURFACE TEMPERATURE TO EXCEED 260°C.

MANUAL SOLDERING

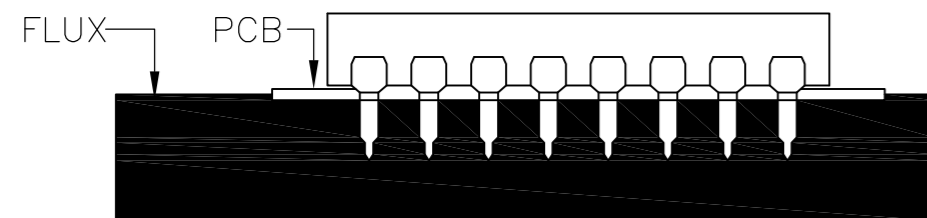
SOLDERING TEMPERATURE	MAX. 350°C.
CONTINUOUS SOLDERING TIME	MAX. 5 SECONDS.

REFLOW SOLDERING



HANDLING PRECAUTIONS

- CARE SHOULD BE EXERCISED SO THAT FLUX FROM THE UPPER PART OF THE PRINTED CIRCUIT BOARD DOES NOT ADHERE TO THE SWITCH.
- DON'T CLEAN THE SWITCH BODY EXCEPT WITH TOP TAPE SEALED TYPE, WHICH CAN ONLY SPRAY OF CLEANING METHOD FROM TOP OF S/W.
- ENSURE FLUX DOES NOT RISE ABOVE THE TOP SURFACE OF THE PCB.



SPECIFICATIONS:

MATERIALS:

BASE: PA (HIGH-TEMP. NYLON) UL94V-0
 COVER: PA (HIGH-TEMP. NYLON) UL94V-0
 ACTUATOR: LCP UL94V-0
 CONTACT: COPPER ALLOY, GOLD (in contact area) OVER NICKEL PLATE
 TERMINAL: BRASS ALLOY, GOLD PLATE
 TAPE: POLYAMIDE.

ELECTRICAL:

CONTACT RATING: NON-SWITCHING 100mA @ 50 VDC.
 SWITCHING: 25mA @ 24 VDC.
 INITIAL CONTACT RESISTANCE: 100mΩ MAX. @ 2 VDC. 10mA.
 INSULATION RESISTANCE: 100 MEGOHMS MIN. @ 500 VDC, 1 MINUTE +/- 5 SECONDS.
 DIELECTRIC STRENGTH: 100 VAC (50 OR 60 HZ), 1 MINUTE.
 DURABILITY: 2,000 CYCLES.
 CAPACITANCE: 5 pF MAX @ 1 MHz +/- 10 KHz.

MECHANICAL:

OPERATING FORCE: 800gf MAX.

ENVIRONMENTAL:

OPERATING TEMPERATURE: -20°C TO +85°C.
 STORAGE TEMPERATURE: -40°C TO +85°C.
 SOLDER HEAT RESISTANCE PER 109-201, CONDITION B.
 SOLDERABILITY PER JIS C 0050 & JIS C 0053.

NOTES:

- ALL MATERIALS AND FINISHES SHALL COMPLY WITH EU DIRECTIVE 2002/95/EC OF 27 JAN 2003 (ROHS).



TUBE PACKAGING.



TAPE AND REEL PACKAGING.

TAPE	ACTUATOR TYPE	ACTUATION PUSH	NOTE	DIM		No OF POSITION	TE DESCRIPTIVE PART NUMBER	TE PART NUMBER
				B	A			
YES	SHORT	UP ON	3	22.86	25.30	10	EDSP10SGRFSTR04	6-2319764-0
				[.900]	[.996]			
				17.78	20.22	08	EDSP08SGRFSTR04	5-2319764-9
				[.700]	[.796]			
		12.70		15.14	06	EDSP06SGRFSTR04	5-2319764-8	
		[.500]		[.596]				
		7.62		10.06	04	EDSP04SGRFSTR04	5-2319764-7	
		[.300]		[.396]				
DOWN ON				2.54	4.98	02	EDSP02SGRFSTR04	5-2319764-6
				[.100]	[.196]			
				22.86	25.30	10	EDSP10SGRNSTR04	5-2319764-5
				[.900]	[.996]			
17.78	20.22	08	EDSP08SGRNSTR04	5-2319764-4				
[.700]	[.796]							
12.70	15.14	06	EDSP06SGRNSTR04	5-2319764-3				
[.500]	[.596]							

THIS DRAWING IS A CONTROLLED DOCUMENT.		DWN 12MAY2017 SHIVAKUMAR S S		
DIMENSIONS: mm[INCHES]		CHK 12MAY2017 ALEXANDER SHARPE		
TOLERANCES UNLESS OTHERWISE SPECIFIED:		APVD 12MAY2017 ALEXANDER SHARPE	NAME	
0 PLC ± -		PRODUCT SPEC	PIANO DIP SWITCH END STACKABLE	
1 PLC ± -		APPLICATION SPEC	-	
2 PLC ± 0.20[.008]			-	
3 PLC ± -			-	
4 PLC ± -			-	
ANGLES ± -			-	
FINISH		WEIGHT	SIZE	CAGE CODE
-			A2	00779
		CUSTOMER DRAWING	DRAWING NO	RESTRICTED TO
			C=2319764	-
			SCALE	SHEET
			1:1	4 OF 4
			REV	A

2319764

X-ON Electronics

Largest Supplier of Electrical and Electronic Components

Click to view similar products for [DIP Switches/SIP Switches](#) category:

Click to view products by [TE Connectivity](#) manufacturer:

Other Similar products are found below :

[79B10T](#) [8136-475G4T](#) [G7G-1A2-CB-DC12](#) [DRR60016](#) [DRS4016](#) [1825444-1](#) [200183](#) [206002](#) [219-6LPSTRF](#) [25.350.0653.0](#) [SBS 5004 TG](#)
[SDA10H1BDA](#) [97R06ST](#) [A2C-2A5](#) [1825444-7](#) [ADE08SA04](#) [ADE12S04](#) [192960010](#) [206005RAS](#) [206007](#) [2-1825058-8](#) [25.352.0353.0](#)
[CXDRIVEV2X](#) [LA2-002-DC24](#) [DSR02T](#) [E2FMX2D1M1TGJ03M](#) [NDI10H](#) [219-9MSTP](#) [EPM02FV](#) [206010RAST](#) [76SB05](#) [TD06H0SK1](#)
[Z7.255.9027.0](#) [1-1825058-3](#) [1825428-4](#) [219-10LPSTF](#) [E3ZG6111D03M](#) [G4D212PUSTV2DC5](#) [HARW0002](#) [EPG301BT06](#) [1-1825058-6](#)
[E3TSL23M5J03M](#) [Y5795](#) [7R0060](#) [HARW0001](#) [ADE07S04](#) [432220096](#) [206005](#) [206006](#) [206010](#)