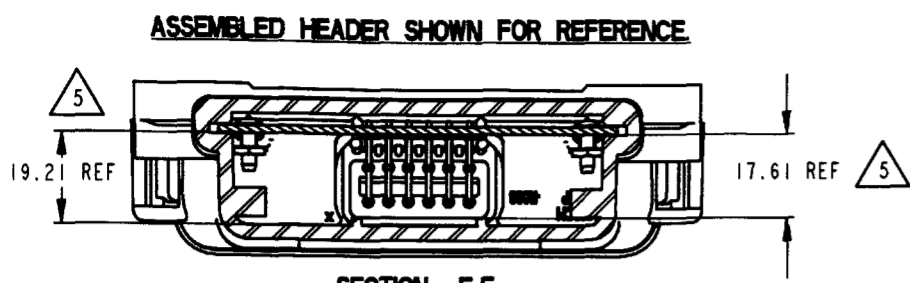
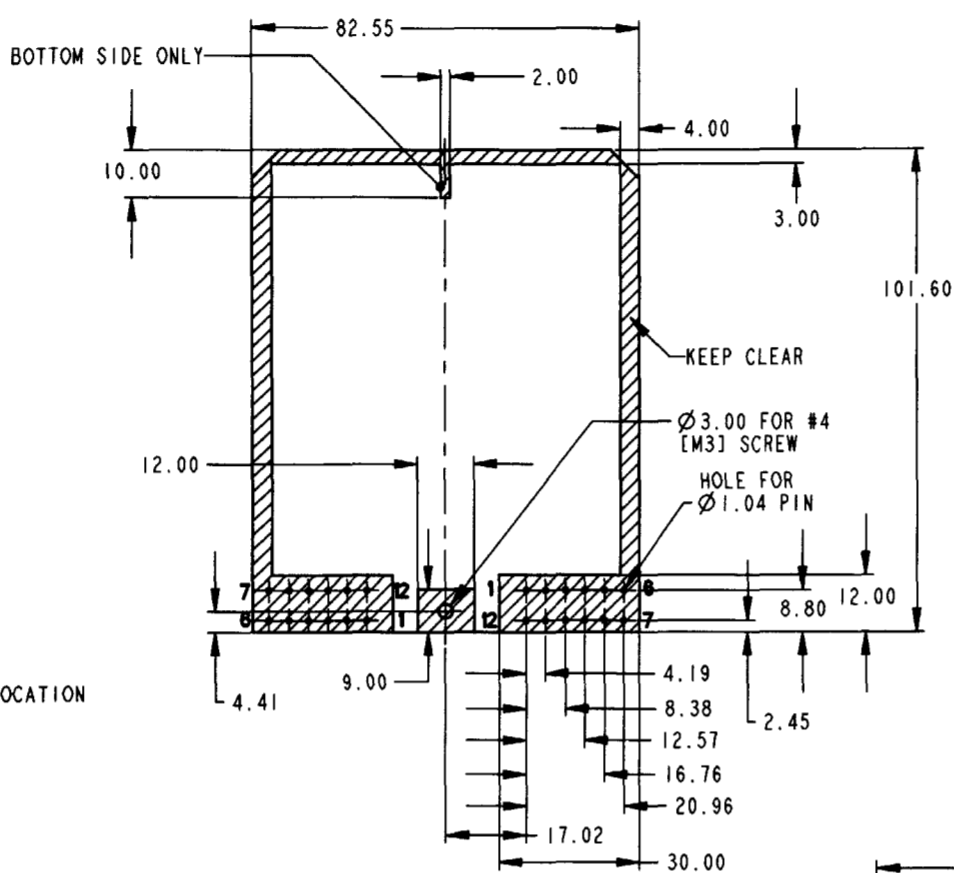


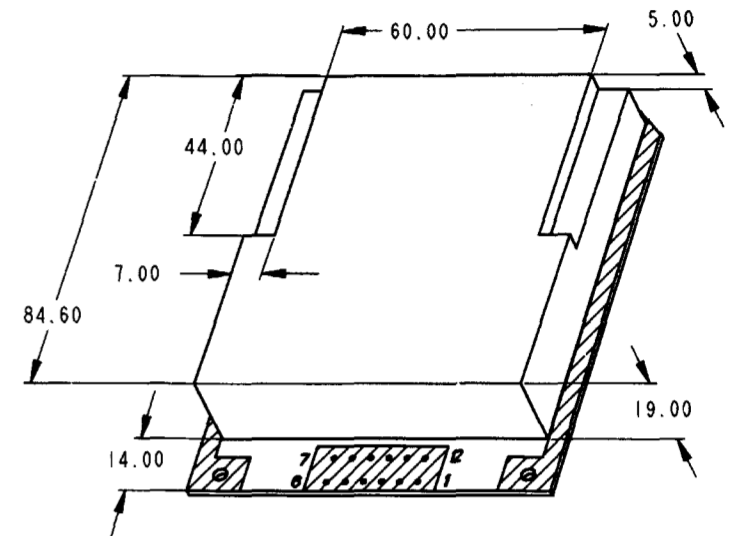
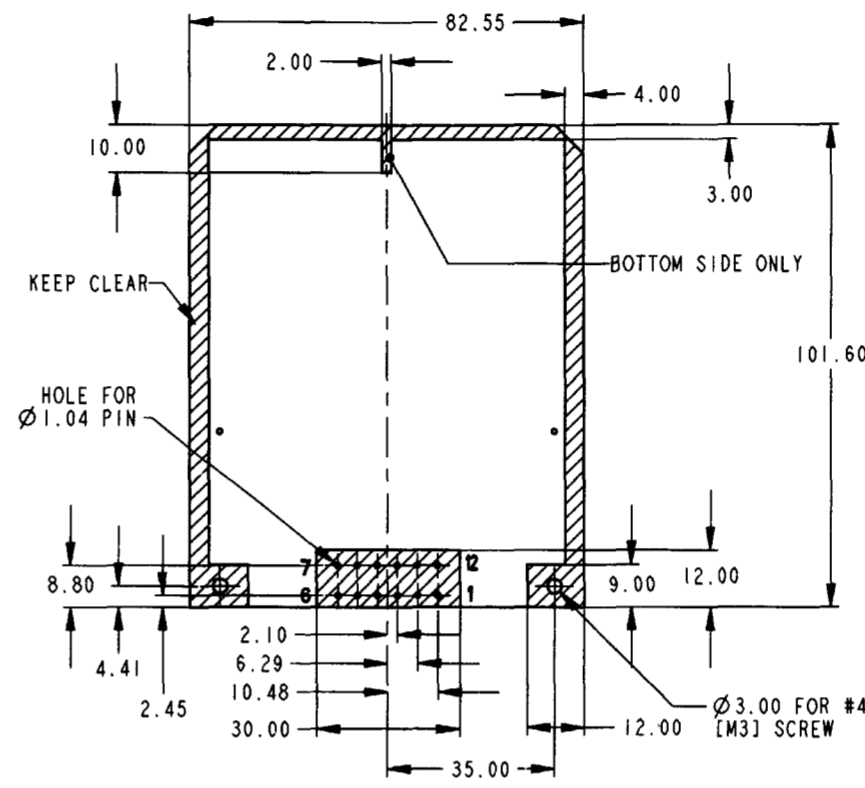
REV NC		REVISIONS			
SYM	DESCRIPTION	DATE	APPROVED		
NC	RELEASED PER E.O. P18244	7/16/03	<i>[Signature]</i>		



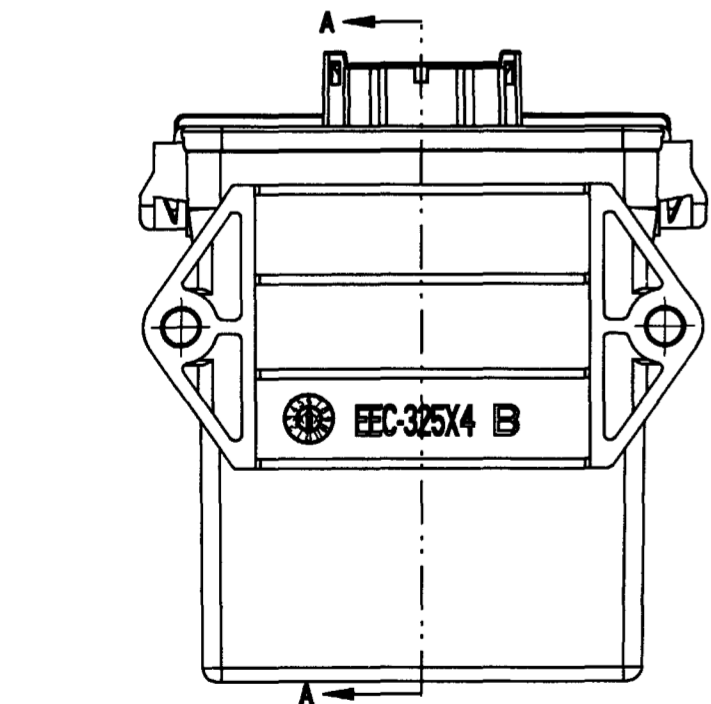
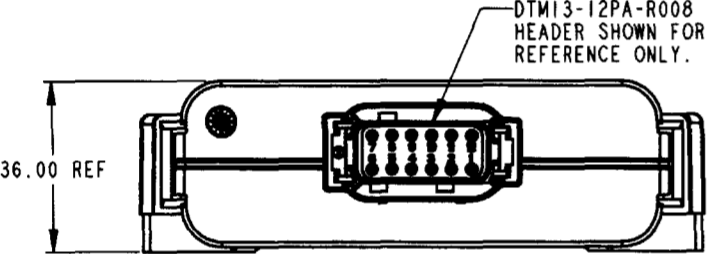
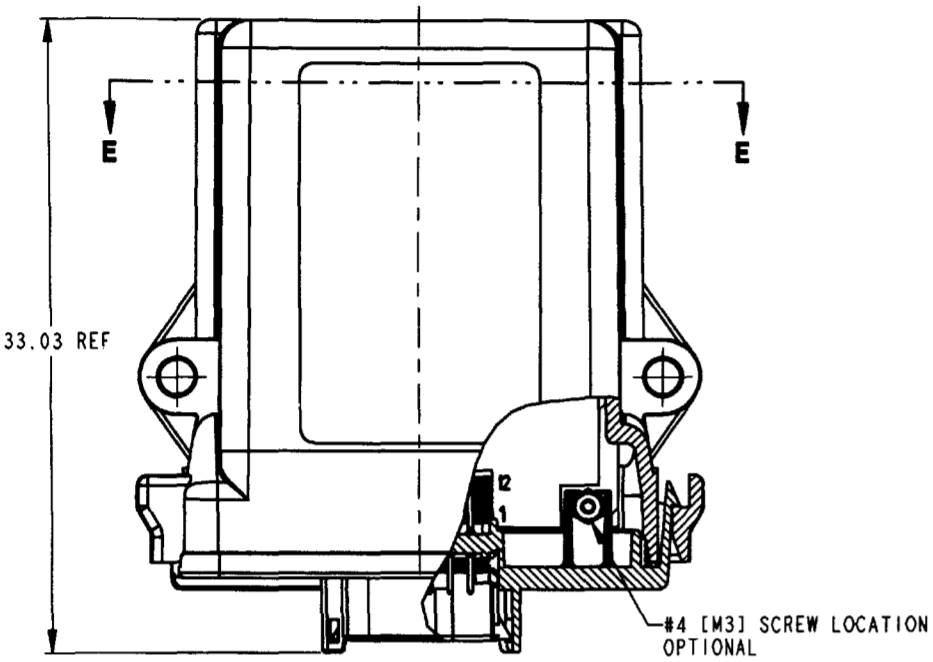
CIRCUIT BOARD HOLE LOCATIONS AND KEEP CLEAR AREAS FOR
DTM13-12P*-12P*-R008
DTM13-12P*-12P*-GR01
ALL DIMENSIONS REFERENCE TOP VIEW



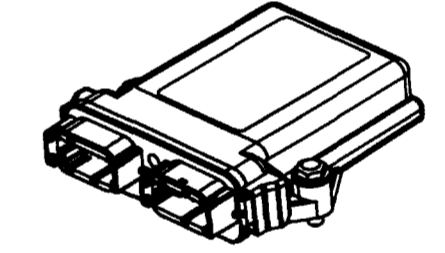
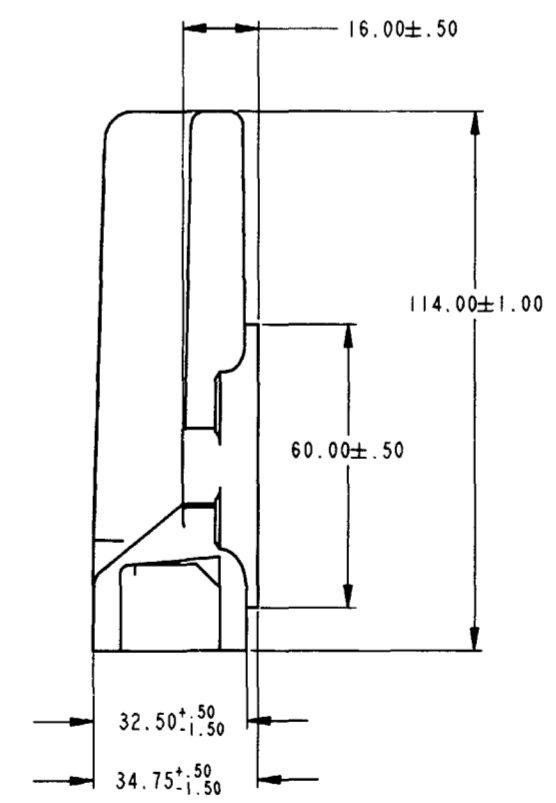
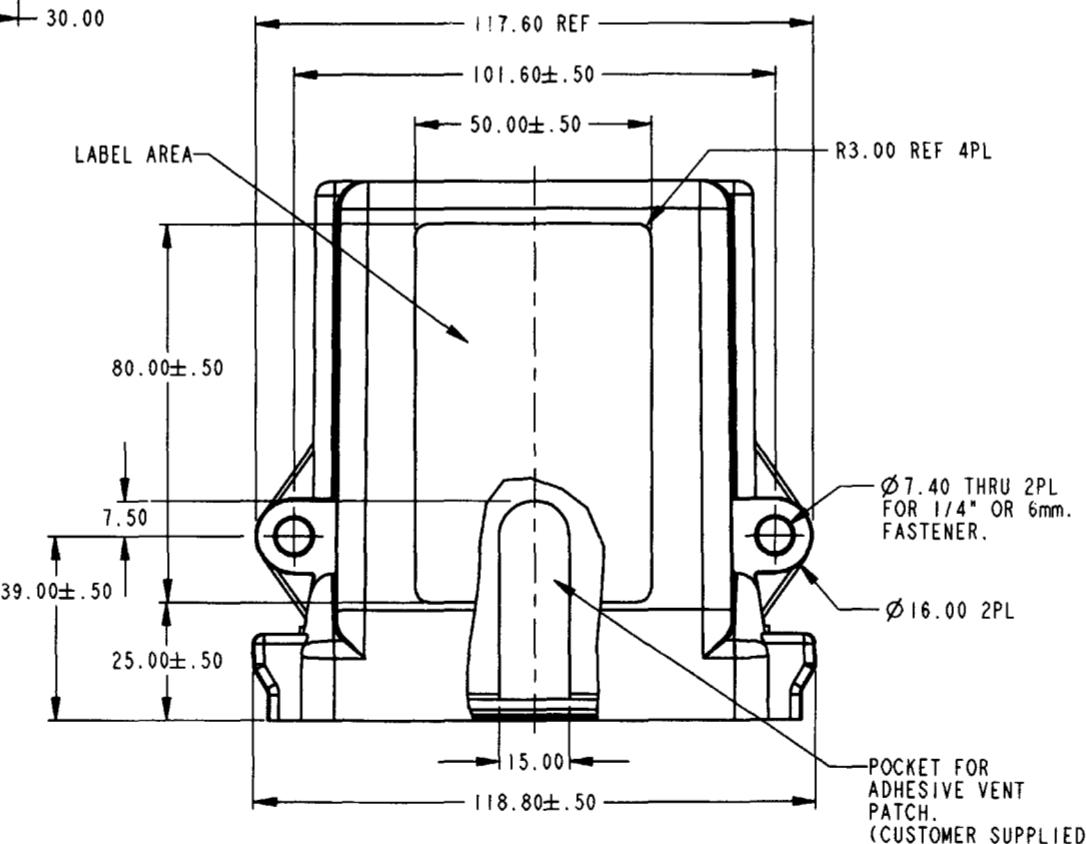
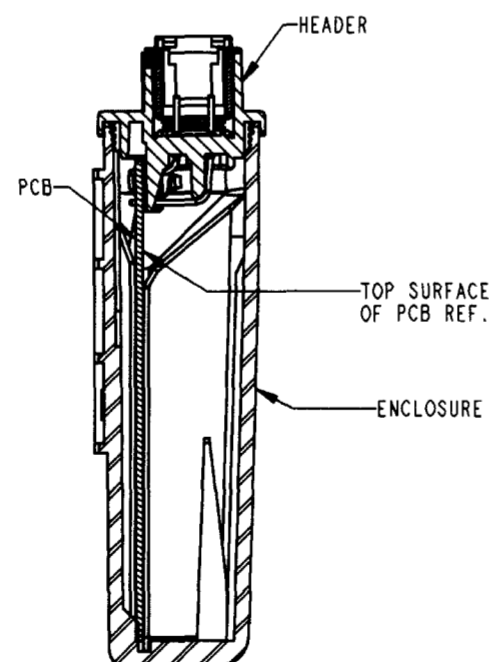
CIRCUIT BOARD HOLE LOCATIONS AND KEEP CLEAR AREAS FOR
DTM13-12P*-R008
DTM13-12P*-GR01
ALL DIMENSIONS REFERENCE TOP VIEW



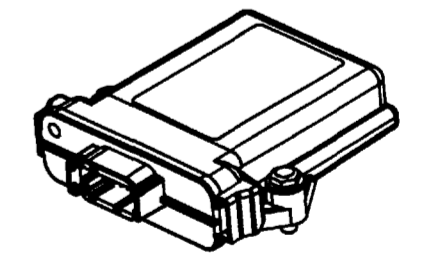
THREE DIMENSIONAL SPACE LIMIT
APPROXIMATE INTERNAL SPACE FOR COMPONENT SPACE LAYOUT
MAX. COMPONENT HEIGHT UNDER BOARD 3.00 mm.



SECTION A-A



3D VIEW
DTM13-12P*-12P*-R008 AND DTM13-12P*-12P*-GR01 HEADER AND MOUNTING HARDWARE SHOWN FOR REFERENCE



3D VIEW
DTM13-12P*-R008 AND DTM13-12P*-GR01 HEADER AND MOUNTING HARDWARE SHOWN FOR REFERENCE

5. MAXIMUM COMPONENT HEIGHT DEPENDS ON LOCATION DUE TO PART DRAFT AND RIBS.
4. THIS ENCLOSURE MATES WITH DTM13-12P*-R008 (Ni PINS); DTM13-12P*-GR01 (Au PINS); DTM13-12P*-12P*-R008 (Ni PINS); DTM13-12P*-12P*-GR01 (Au PINS) HEADERS. (*=A,B,C,D KEYS).
3. ENCLOSURE MATERIAL: ULTEM NATURAL
2. ALL DIMENSIONS ARE +/- .25 UNLESS OTHERWISE SPECIFIED.
1. ALL DIMENSIONS ARE METRIC.

SIGNATURE & DATE	
DR	M. GONZALEZ 7/15/03
CHK	<i>[Signature]</i>
PE	<i>[Signature]</i> 7/15/03
APPD	<i>[Signature]</i> 7/15/03
SCALE	1X WT

PCB ENCLOSURE SHOWN WITH 12 AND 24 PIN HEADER DTM SERIES

EP	MATL. CODE
The Deutch Company DEUTSCH I.P.D. 3850 INDUSTRIAL AVE. HEWET, CALIF. 92545	
EEC-325X4B-E016	
DWG SIZE	CODE SHEET 1 OF 1

ENVELOPE

X-ON Electronics

Largest Supplier of Electrical and Electronic Components

Click to view similar products for [Automotive Connectors](#) category:

Click to view products by [TE Connectivity](#) manufacturer:

Other Similar products are found below :

[003-018-000](#) [60403001](#) [60993906-B](#) [M902-2131](#) [M902-2161](#) [72.330.1035.1](#) [73.353.4028.0](#) [F119300-B](#) [F166900](#) [F258300-B](#) [F358300-B](#)
[F407400](#) [F444110](#) [F487000](#) [F509500B-B](#) [827153-1](#) [8N1515-32-24P](#) [9-1326729-8](#) [925474-1](#) [928905-1](#) [964562-4](#) [968782-1](#) [GT17SA-8DS-](#)
[HU](#) [98891-1012](#) [98947-1016](#) [12004147](#) [12004475-L](#) [12010290](#) [12010309-B](#) [12015454](#) [12020219-B](#) [12020308](#) [12041318-B](#) [12052225-L](#)
[12052466](#) [12059125](#) [12064869](#) [12004327-B](#) [12010503-B](#) [12015308](#) [12015384](#) [12015909](#) [1-21030-1](#) [12041254](#) [12041318](#) [12047946-B](#)
[12047957](#) [12047957-L](#) [12059473](#) [12066261](#)