

SPECIFICATION CONTROL DRAWING

2020K8421

CHEMINAX

120 OHM, AWG 20, 19 STRANDS OF AWG 32, TWINAXIAL CABLE

Date: 6-1-17
Revision: B

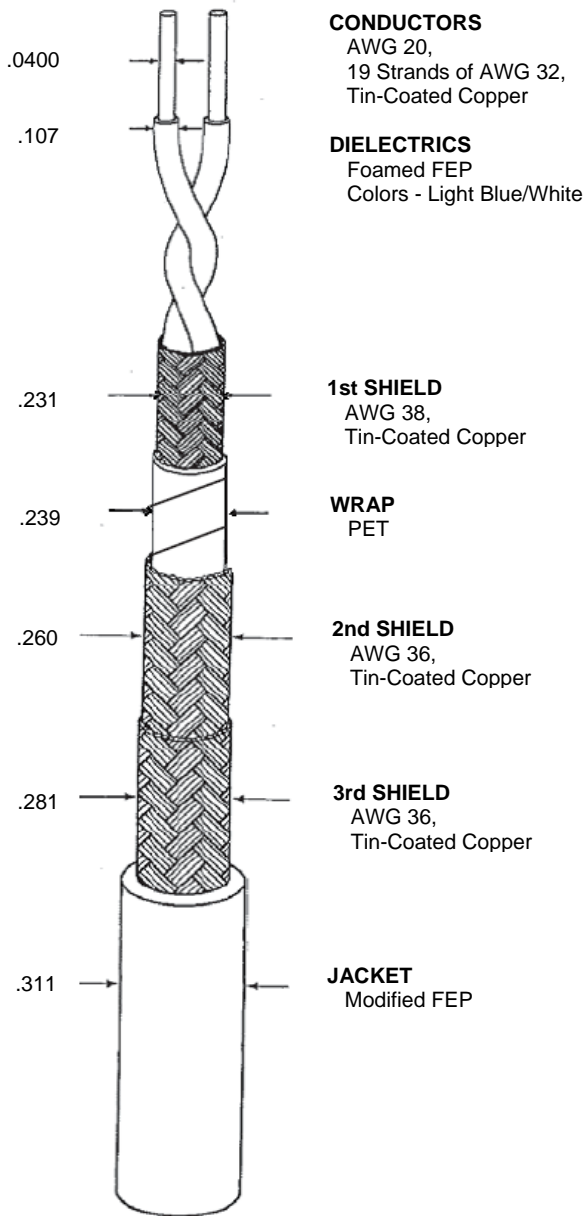
THIS SPECIFICATION SHEET FORMS A PART OF THE LATEST ISSUE OF RAYCHEM SPECIFICATION 1200.

CONSTRUCTION DETAILS

ELECTRICAL CHARACTERISTICS

DIMENSIONS ARE NOMINAL VALUES IN INCHES, UNLESS OTHERWISE DESIGNATED.

CHARACTERISTIC IMPEDANCE	120 ± 12 ohms, Method D at 1 MHz with shield grounded
MUTUAL CAPACITANCE	12.0 pF/ft. (nominal)
VELOCITY OF PROPAGATION	76% (nominal)



CONDUCTORS
AWG 20,
19 Strands of AWG 32,
Tin-Coated Copper

DIELECTRICS
Foamed FEP
Colors - Light Blue/White

1st SHIELD
AWG 38,
Tin-Coated Copper

WRAP
PET

2nd SHIELD
AWG 36,
Tin-Coated Copper

3rd SHIELD
AWG 36,
Tin-Coated Copper

JACKET
Modified FEP

ADDITIONAL REQUIREMENTS

ELECTRICAL	
CONDUCTOR RESISTANCE (prior to cabling)	9.53 ohms/1000 ft. (nominal)
INSULATION RESISTANCE CONDUCTOR TO SHIELD	10,000 megohms (minimum) for 1000 ft.
JACKET FLAWS	
SPARK TEST	1.0 kV (rms)
IMPULSE TEST	6.0 kV (peak)
VOLTAGE WITHSTAND (DIELECTRIC)	1000 volts (rms) (minimum)

ENVIRONMENTAL	
FLAMMABILITY	Method B
HEAT SHOCK	225°C
LOW TEMPERATURE-COLD BEND	-55°C/9.00 inch mandrel
VOLTAGE WITHSTAND (Post Environmental)	1000 volts (rms), 1 minute

PHYSICAL	
INSULATION (DIELECTRIC) (prior to cabling)	
ELONGATION	50% (minimum)
TENSILE STRENGTH	600 lbf/in ² (minimum)
JACKET	
ELONGATION	200% (minimum)
TENSILE STRENGTH	2000 lbf/in ² (minimum)
JACKET THICKNESS	.015 inch (nominal)
SHIELD COVERAGE	
1st SHIELD	90% (minimum)
2nd and 3rd SHIELD	95% (minimum)
WRAP	.002 inch thick (nominal), 25% overlap (minimum), 40% overlap (nominal)

WEIGHT	86.2 lbs/1000 ft. (nominal)
--------	-----------------------------

ENGINEERING REFERENCE	
TEMPERATURE RATING	150°C (maximum)

Designate outer jacket color with a dash number in accordance with MIL-STD-681. Unless otherwise specified, outer jacket color will be translucent white designated by a "-9X" appended to the part number, (e.g. 2020K8421-9X). Other codes and suffixes may be added to the part number, as necessary, to capture any additional requirements imposed by the purchase order.

Users should evaluate the suitability of this product for their application. Specifications are subject to change without notice. TE Connectivity also reserves the right to make changes in materials or processing, which do not affect compliance with any specification, without notification to Buyer.



X-ON Electronics

Largest Supplier of Electrical and Electronic Components

Click to view similar products for [Coaxial Cables](#) category:

Click to view products by [TE Connectivity](#) manufacturer:

Other Similar products are found below :

[89880-003-1000](#) [89913-010-1000](#) [633938-009-U1000](#) [633948-877-1000](#) [639948-877-1000](#) [643948-877-U1000](#) [CY2389-000](#) [8213-010-1000](#)
[8221-010-U1000](#) [8233-010-1000](#) [88281-010-500](#) [1322R-010-1000](#) [1505A-N3U-1000](#) [1523AP-010-1000](#) [1807A-B59-U1000](#) [9167-010-1000](#)
[9251-010-1000](#) [9275-010-U1000](#) [935240-000](#) [9659-010-1000](#) [980704-001](#) [1855P-010-1000](#) [CF2823-000](#) [33312-010-500](#) [CY2581-000](#)
[CY2582-000](#) [CZ1589-000](#) [5022W0809-0CS3263](#) [10610-4-4](#) [EF8108-000](#) [6139B8-009-1000](#) [613948-009-1000](#) [1673B TIN100](#) [633938-877-](#)
[U1000](#) [672525-001](#) [1530AP-877-1000](#) [144517-000](#) [1369R-010-1000](#) [134655-000](#) [8-1616396-1](#) [8263-010-U1000](#) [8263 010U500](#) [480414-](#)
[000](#) [8262 010U1000](#) [7915A 009U1000](#) [5024A1311-0](#) [TRC-75-1](#) [1281S5 010250](#) [1281S5 000250](#) [1530A 010U1000](#)