

REVISIONS

P	LTR	DESCRIPTION	DATE	DWN	APVD
	A	ECO-18-002821	26FEB18	KH	NN

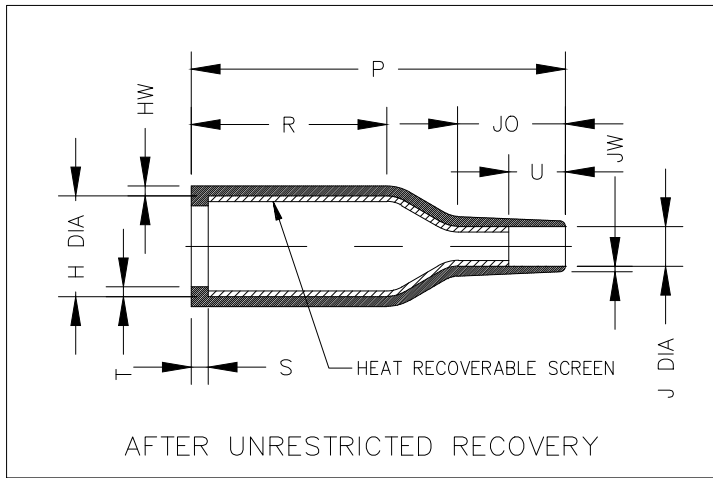
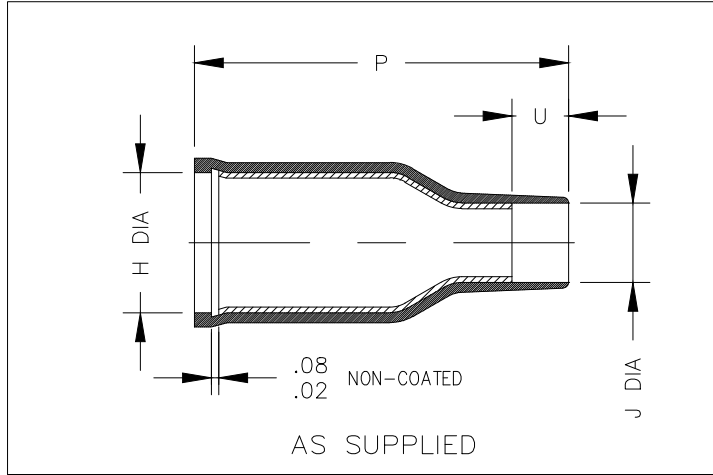


TABLE OF DIMENSIONS


PART NUMBER	H		J		P		R	S	T	U		JO	HW	JW
	Min a	Max b	Min a	Max b	±5% a	±10% b	Ref b	Ref b	Ref b	Min a	±20% b	Ref b	±30% b	±30% b
202S121-XXC-0	20.0 [.79]	10.4 [.41]	11.0 [.43]	5.0 [.20]	45.0 [1.77]	45.0 [1.77]	17.0 [.67]	3.0 [.12]	1.0 [.04]	6.0 [.24]	10.0 [.39]	15.0 [.59]	2.0 [.08]	1.0 [.04]
202S132-XXC-0	24.0 [.94]	14.2 [.56]	15.0 [.59]	6.0 [.24]	60.0 [2.36]	60.0 [2.36]	28.0 [1.10]	3.0 [.12]	1.0 [.04]	6.0 [.24]	10.0 [.39]	17.0 [.67]	2.0 [.08]	1.0 [.04]
202S142-XXC-0	31.0 [1.22]	18.0 [.71]	18.0 [.71]	7.2 [.28]	72.0 [2.83]	72.0 [2.83]	32.0 [1.26]	3.0 [.12]	1.0 [.04]	6.0 [.24]	10.0 [.39]	20.0 [.79]	2.0 [.08]	1.0 [.04]
202S152-XXC-0	36.0 [1.42]	22.4 [.88]	22.0 [.87]	8.5 [.33]	85.0 [3.35]	85.0 [3.35]	31.0 [1.22]	3.0 [.12]	1.0 [.04]	9.0 [.35]	15.0 [.59]	25.0 [.98]	2.0 [.08]	1.0 [.04]
202S163-XXC-0	43.0 [1.69]	28.2 [1.11]	26.0 [1.02]	10.0 [.39]	110.0 [4.33]	110.0 [4.33]	50.0 [1.97]	3.0 [.12]	1.7 [.07]	12.0 [.47]	20.0 [.79]	30.0 [1.18]	2.2 [.09]	1.2 [.05]
202S174-XXC-0	47.0 [1.85]	35.1 [1.38]	36.0 [1.42]	15.8 [.62]	132.0 [5.20]	135.0 [5.32]	70.0 [2.76]	3.0 [.12]	1.7 [.07]	12.0 [.47]	20.0 [.79]	30.0 [1.18]	3.0 [.12]	1.5 [.06]

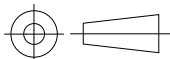
RELEASED FOR PUBLICATION

ALL RIGHTS RESERVED.

THIS DRAWING IS UNPUBLISHED.

© COPYRIGHT 2017 By TE Connectivity

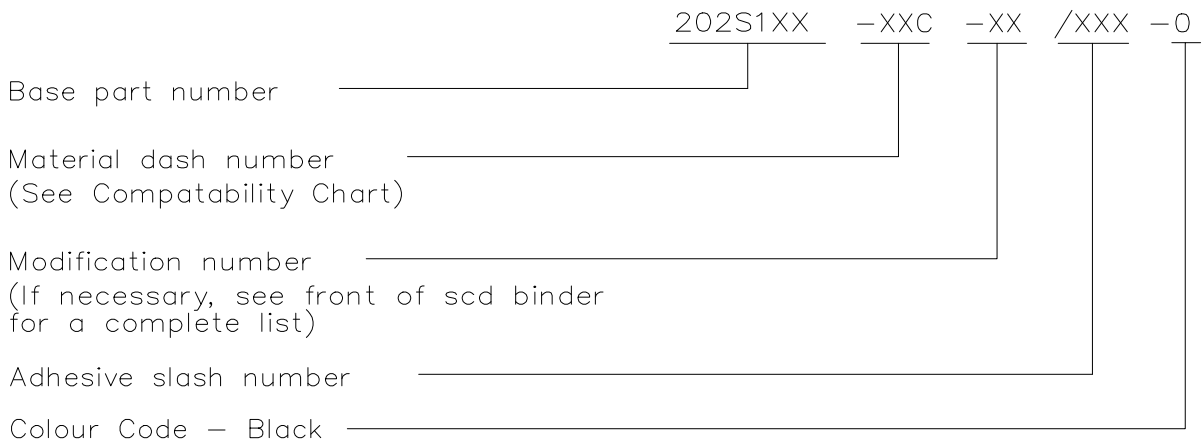
DIMENSIONS: mm [INCHES]	DWN P. VU	24OCT2016	MATERIAL	-	FINISH	-
	CHK N. NAGAR	24OCT2016	 TE Connectivity			
TOLERANCES UNLESS OTHERWISE SPECIFIED:	APVD A. POOLE	24OCT2016				
0 PLC ± -	PRODUCT SPEC	-	NAME STRAIGHT BOOT, COATED			
1 PLC ± -	APPLICATION SPEC	-	202S1XX-XXC-0			
2 PLC ± -	WEIGHT	00	SIZE	A4	CAGE CODE	00779
3 PLC ± -			DRAWING NO	C-202S1XX-XXC-0		RESTRICTED TO
4 PLC ± -						-
ANGLES ± -						
CUSTOMER DRAWING			SCALE	DNS	SHEET	1 OF 2
						REV A



REVISIONS					
P	LTR	DESCRIPTION	DATE	DWN	APVD
	-	SEE SHEET 1	-	-	-

COMPATIBILITY CHART			
Material Dash No.	Material Description	SPEC No.	Coating Slash No.
-25C	ELASTOMER/SILVER COMPOSITE	RW-3047	/86, /200

ORDERING INFORMATION



NOTES

- As supplied dimensions are for parts without adhesive, when an adhesive layer is added entry diameters will reduce by 1.5mm Max.
- Dimensions appearing in table are as follows -
 - a - As supplied
 - b - After unrestricted Recovery

THIS DRAWING IS SUBJECT TO CHANGE WITHOUT NOTICE;
CONSULT YOUR NEAREST FIELD REPRESENTATIVE FOR CURRENT REVISION.

RELEASED FOR PUBLICATION

ALL RIGHTS RESERVED.

© COPYRIGHT 2017 By TE Connectivity

THIS DRAWING IS UNPUBLISHED.

DIMENSIONS: mm [INCHES]	DWN P. VU	24OCT2016	MATERIAL	-	FINISH	-
	CHK N. NAGAR	24OCT2016	TE Connectivity			
TOLERANCES UNLESS OTHERWISE SPECIFIED:	APVD A. POOLE	24OCT2016				
0 PLC ± -	PRODUCT SPEC		NAME			
1 PLC ± -	-		STRAIGHT BOOT, COATED			
2 PLC ± -	-		202S1XX-XXC-0			
3 PLC ± -	APPLICATION SPEC		SIZE	CAGE CODE	DRAWING NO	RESTRICTED TO
4 PLC ± -	-		A4	00779	202S1XX-XXC-0	-
ANGLES ± -	WEIGHT		CUSTOMER DRAWING			
	00		SCALE	DNS	SHEET	2 OF 2
			REV A			

X-ON Electronics

Largest Supplier of Electrical and Electronic Components

Click to view similar products for [Heat Shrink Cable Boots & End Caps](#) category:

Click to view products by [TE Connectivity](#) manufacturer:

Other Similar products are found below :

[577159N001](#) [645494-000](#) [CX4132-000](#) [687025-000](#) [705331-000](#) [718446-000](#) [725666N001](#) [729257-000](#) [F27131-000](#) [F85868-000](#) [770-003S106W2](#) [806542N001](#) [807507-000](#) [808059-000](#) [808362-000](#) [808618-000](#) [809125-000](#) [809130-000](#) [809218-000](#) [812014-000](#) [812047-000](#) [813166-000](#) [813767N002](#) [814741-000](#) [819117N001](#) [823026-000](#) [823070-000](#) [825002-000](#) [841189N001](#) [861471-000](#) [866647-000](#) [879515-000](#) [937577-000](#) [957073-000](#) [982033-2](#) [A77813-000](#) [R280576000](#) [D96192-000](#) [163549-000](#) [MTPSRBCL-C](#) [1954015-1](#) [200W531-3-0](#) [202A163-4-0-CS5067](#) [202A343-3-00-0](#) [202B221-13-0](#) [202B231-13-0](#) [202B563-25-07-0](#) [202C241-13-0](#) [202D121-4-01/86-0](#) [202D132-4-07/42-0](#)