

THIS DRAWING IS UNPUBLISHED.

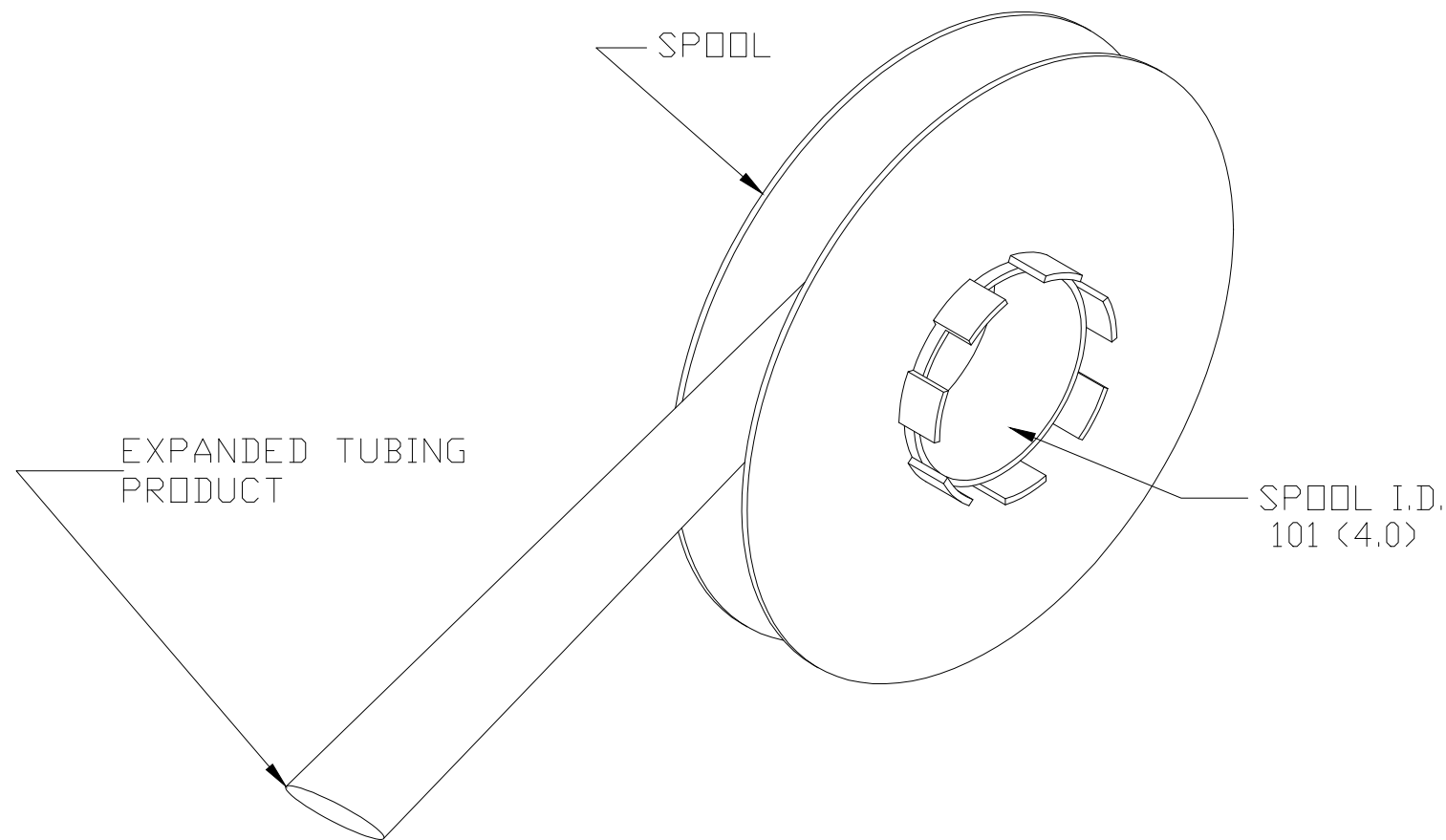
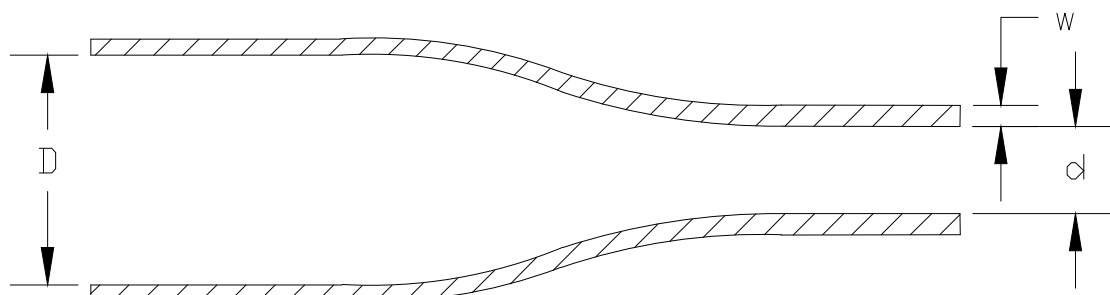
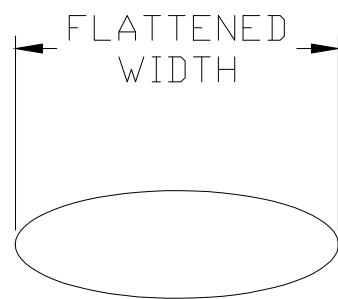
RELEASED FOR PUBLICATION

ALL RIGHTS RESERVED.

© COPYRIGHT 2020 TE Connectivity Ltd.

REVISIONS


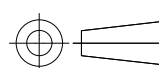
P	LTR	DESCRIPTION	DATE	DWN	APVD
2		INITIAL CUSTOMER DRAWING	12FEB2020	AFK	LS



Product Size	3/32	1/8	3/16	1/4	3/8	1/2	3/4	1	1-1/2	2
"D" Minimum Supplied I.D.	2.36 (.093)	3.18 (.125)	4.75 (.187)	6.35 (.250)	9.53 (.375)	12.7 (.500)	19.05 (.750)	25.4 (1.00)	38.1 (1.50)	50.8 (2.00)
"d" Maximum Recovered I.D.	0.79 (.031)	1.07 (.042)	1.57 (.062)	2.11 (.083)	3.18 (.125)	4.22 (.166)	6.35 (.250)	8.46 (.333)	19.05 (.750)	25.4 (1.00)
"w" Recovered Wall Thickness ±0.08 (.003)	0.58 (.023)	0.58 (.023)	0.58 (.023)	0.58 (.023)	0.61 (.024)	0.61 (.024)	0.61 (.024)	0.64 (.025)	0.51 (.020)	0.64 (.025)
Minimum Sleeve Flattened Width	4.45 (.175)	5.84 (.230)	8.00 (.315)	10.7 (.420)	15.5 (.610)	20.4 (.803)	30.5 (1.20)	40.4 (1.59)	60.3 (2.37)	80.0 (3.15)

NOTES:

1. ALL DIMENSIONS ARE IN MILLIMETERS (inches).

THIS DRAWING IS A CONTROLLED DOCUMENT.		DWN AFK CHK -	12FEB2020	 TE Connectivity	
DIMENSIONS: mm 		TOLERANCES UNLESS OTHERWISE SPECIFIED: 0 PLC ± - 1 PLC ± - 2 PLC ± - 3 PLC ± - 4 PLC ± - ANGLES ± -			
MATERIAL CROSSLINKED POLYOLEFIN		FINISH -		NAME TMS-CT OUTSIDE PRINTER SPOOL	
		PRODUCT SPEC RW-2511		APPLICATION SPEC -	
		WEIGHT VARIOUS		SIZE A3	CAGE CODE 0198G
		CUSTOMER DRAWING		DRAWING NO C-MCD170011	
		SCALE -		SHEET 1 OF 1	REV 2

X-ON Electronics

Largest Supplier of Electrical and Electronic Components

Click to view similar products for [Heat Shrink Tubing and Sleeves](#) category:

Click to view products by [TE Connectivity](#) manufacturer:

Other Similar products are found below :

[5685710001](#) [CR9960-000](#) [5734012004](#) [607381P039](#) [611112-000](#) [6284592002](#) [CX4711-000](#) [CZ1420-000](#) [D-306-38](#) [770-006S302](#) [770-010Y106W1](#) [770-018S103](#) [770-018S202W1](#) [770-018S205W1](#) [770-020S704W1](#) [770-020S705](#) [MFP-3/64"-Clear](#) [790-3012](#) [MHHT-4-15K2-G-104](#) [8003012003](#) [MIL-LT-1-1/2-4-SP](#) [MIL-LT-1-1/2-9-STK](#) [MIL-LT-1/2-2-STK](#) [MIL-LT-3-0-SP](#) [MIL-LT-3/32-0-SP](#) [MIL-LT-3/32-6-SP](#) [MIL-LT-3/4-4-STK](#) [MIL-LT-3/4-6-SP](#) [839602-000](#) [8423-6](#) [FP301-116-48"-Clear](#) [FP301-12-6"-Clear](#) [FP301-1/4-48"-White-Hdr](#) [FP301-18-48"-Black-Hdr](#) [FP301-1/8-6"-Black](#) [FP301-18-6"-Black-Bulk](#) [FP301-316-48"-Blue-Hdr](#) [912229N002](#) [R280637030](#) [HDCW-5515-1000](#) [HDT-0300-48A-BLACK](#) [HDT-0400-48A-Black](#) [HDT-0800-48A-RED](#) [HDT1100-48A-BLK](#) [HDT1500-48A-BLK](#) [HDT-2000-48A-Black](#) [RHW-70/20-1200/ADH-0](#) [DWP-125-0.450-4-55MM-CS879](#) [156082-000](#) [MT5500-3/8-X-SP](#)