

THIS DRAWING IS UNPUBLISHED.

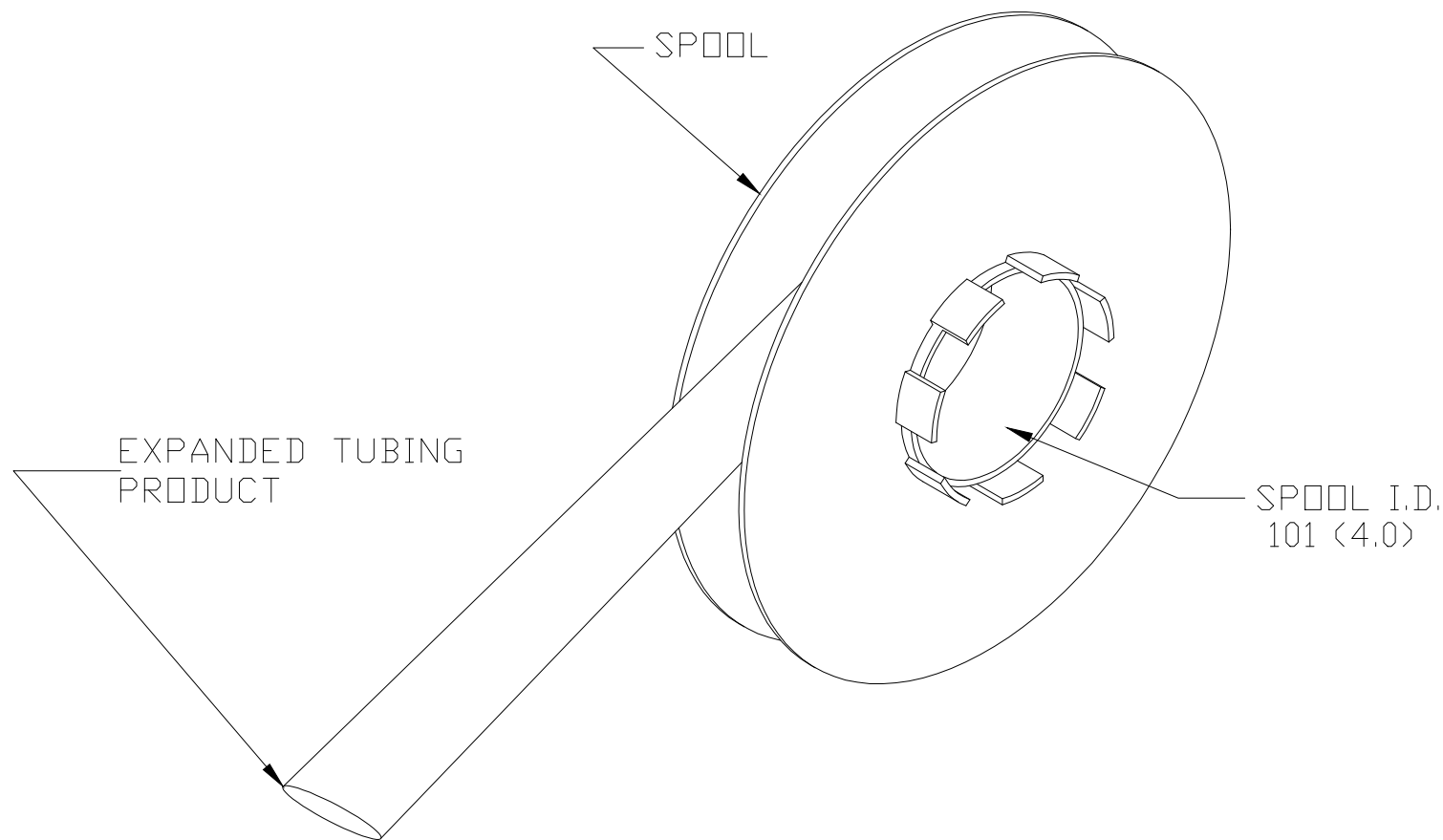
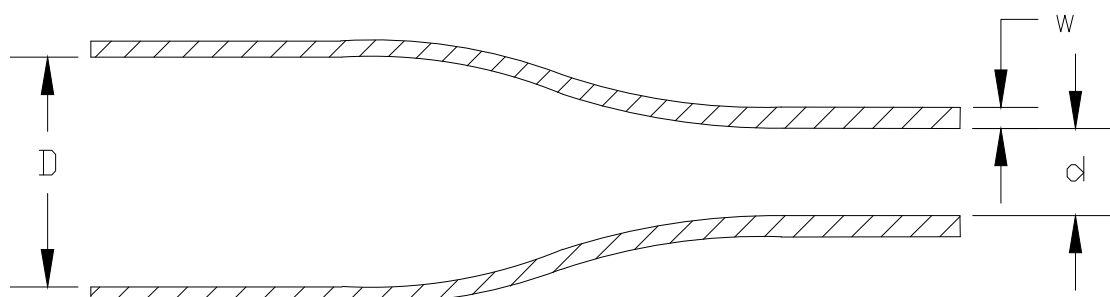
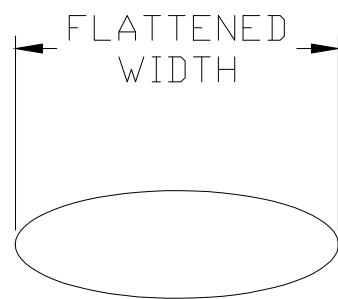
RELEASED FOR PUBLICATION

© COPYRIGHT 2020 TE Connectivity Ltd.

ALL RIGHTS RESERVED.

REVISIONS

P	LTR	DESCRIPTION	DATE	DWN	APVD
2		INITIAL CUSTOMER DRAWING	12FEB2020	AFK	LS



Product Size	3/32	1/8	3/16	1/4	3/8	1/2	3/4	1	1-1/2	2
"D" Minimum Supplied I.D.	2.36 (.093)	3.18 (.125)	4.75 (.187)	6.35 (.250)	9.53 (.375)	12.7 (.500)	19.05 (.750)	25.4 (1.00)	38.1 (1.50)	50.8 (2.00)
"d" Maximum Recovered I.D.	0.79 (.031)	1.07 (.042)	1.57 (.062)	2.11 (.083)	3.18 (.125)	4.22 (.166)	6.35 (.250)	8.46 (.333)	19.05 (.750)	25.4 (1.00)
"w" Recovered Wall Thickness ±0.08 (.003)	0.58 (.023)	0.58 (.023)	0.58 (.023)	0.58 (.023)	0.61 (.024)	0.61 (.024)	0.61 (.024)	0.64 (.025)	0.51 (.020)	0.64 (.025)
Minimum Sleeve Flattened Width	4.45 (.175)	5.84 (.230)	8.00 (.315)	10.7 (.420)	15.5 (.610)	20.4 (.803)	30.5 (1.20)	40.4 (1.59)	60.3 (2.37)	80.0 (3.15)

NOTES:

1. ALL DIMENSIONS ARE IN MILLIMETERS (inches).

THIS DRAWING IS A CONTROLLED DOCUMENT.		DWN AFK CHK -	12FEB2020	TE Connectivity NAME TMS-CT OUTSIDE PRINTER SPOOL	
DIMENSIONS: mm		TOLERANCES UNLESS OTHERWISE SPECIFIED:			
		0 PLC ± - 1 PLC ± - 2 PLC ± - 3 PLC ± - 4 PLC ± - ANGLES ± -		PRODUCT SPEC RW-2511	
MATERIAL CROSSLINKED POLYOLEFIN		FINISH -		APPLICATION SPEC -	
		WEIGHT VARIOUS		SIZE A3	CAGE CODE 0198G
		CUSTOMER DRAWING		DRAWING NO C-MCD170011	RESTRICTED TO -
		SCALE -		SHEET 1 OF 1	REV 2

X-ON Electronics

Largest Supplier of Electrical and Electronic Components

Click to view similar products for [Heat Shrink Tubing and Sleeves](#) category:

Click to view products by [TE Connectivity](#) manufacturer:

Other Similar products are found below :

[5685710001](#) [CR9960-000](#) [5734012004](#) [607381P039](#) [611112-000](#) [6284592002](#) [CX4711-000](#) [CZ1420-000](#) [D-306-38](#) [770-006S302](#) [770-010Y106W1](#) [770-018S103](#) [770-018S202W1](#) [770-018S205W1](#) [770-020S704W1](#) [770-020S705](#) [MFP-3/64"-Clear](#) [790-3012](#) [MHHT-4-15K2-G-104](#) [8003012003](#) [MIL-LT-1-1/2-4-SP](#) [MIL-LT-1-1/2-9-STK](#) [MIL-LT-1/2-2-STK](#) [MIL-LT-3-0-SP](#) [MIL-LT-3/32-0-SP](#) [MIL-LT-3/32-6-SP](#) [MIL-LT-3/4-4-STK](#) [MIL-LT-3/4-6-SP](#) [839602-000](#) [8423-6](#) [FP301-116-48"-Clear](#) [FP301-12-6"-Clear](#) [FP301-1/4-48"-White-Hdr](#) [FP301-18-48"-Black-Hdr](#) [FP301-1/8-6"-Black](#) [FP301-18-6"-Black-Bulk](#) [FP301-316-48"-Blue-Hdr](#) [912229N002](#) [R280637030](#) [HDCW-5515-1000](#) [HDT-0300-48A-BLACK](#) [HDT-0400-48A-Black](#) [HDT-0800-48A-RED](#) [HDT1100-48A-BLK](#) [HDT1500-48A-BLK](#) [HDT-2000-48A-Black](#) [RHW-70/20-1200/ADH-0](#) [DWP-125-0.450-4-55MM-CS879](#) [156082-000](#) [MT5500-3/8-X-SP](#)