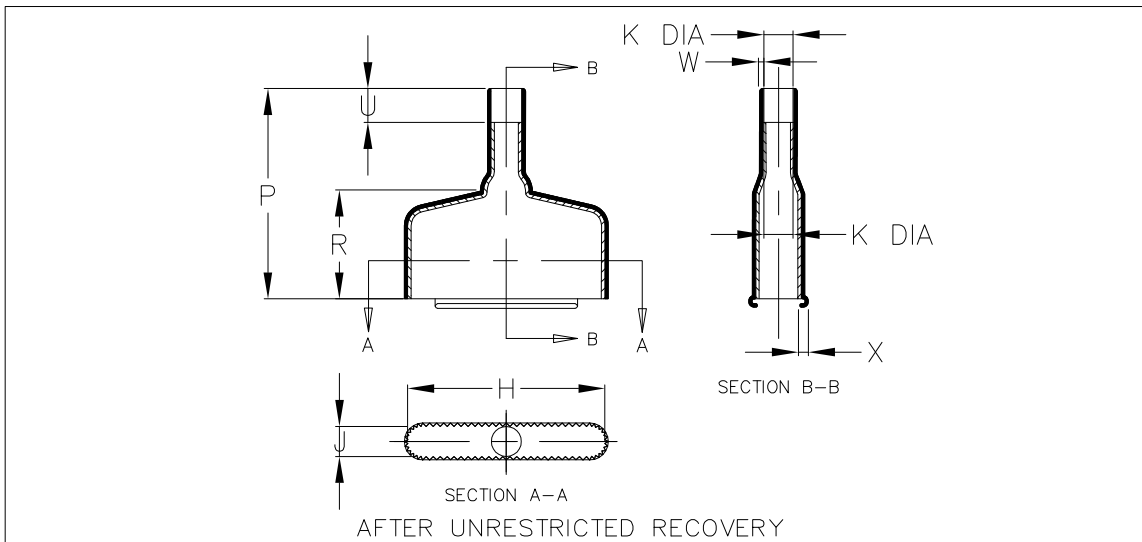
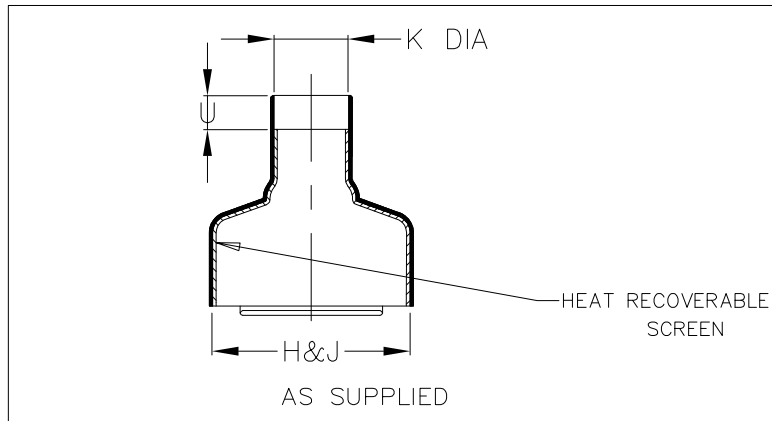


REVISIONS

P	LTR	DESCRIPTION	DATE	DWN	APVD
	1	PRODUCTION ISSUE	06JUL2017	NN	AP



Dimensions in mm [inches for reference]

Part No.	To Fit Connector Size	H		J		K		P REF b	R REF b	U		W ±20% b	X ±20% b
		MIN a	±5% b	MIN a	±5% b	MIN a	MAX b			MIN a	±20% b		
214A011-25C-0	9 WAY	20.8 [.82]	20.3 [.80]	15.7 [.62]	10.7 [.42]	9.0 [.35]	4.1 [.16]	33.0 [1.30]	19.0 [.75]	2.0 [.08]	4.0 [.16]	1.0 [.04]	3.0 [.12]
214A021-25C-0	15 WAY	29.0 [1.14]	28.2 [1.11]	15.7 [.62]	10.7 [.42]	11.0 [.43]	5.3 [.21]	39.0 [1.54]	22.0 [.87]	3.8 [.15]	6.0 [.24]	1.0 [.04]	3.0 [.12]
214A032-25C-0	25 WAY	42.8 [1.69]	42.2 [1.66]	15.7 [.62]	10.7 [.42]	15.0 [.59]	8.1 [.32]	45.0 [1.77]	25.0 [.98]	5.0 [.20]	6.3 [.25]	1.0 [.04]	3.0 [.12]
214A042-25C-0	37 WAY	59.5 [2.34]	58.7 [2.31]	15.0 [.59]	10.7 [.42]	19.0 [.75]	8.6 [.34]	53.0 [2.09]	28.0 [1.10]	5.0 [.20]	9.0 [.35]	1.0 [.04]	3.0 [.12]
214A052-25C-0	50 WAY	58.0 [2.28]	57.9 [2.28]	17.5 [.69]	13.7 [.54]	21.0 [.83]	10.7 [.42]	61.0 [2.40]	32.0 [1.26]	6.5 [.26]	10.0 [.39]	1.0 [.04]	3.0 [.12]

RELEASED FOR PUBLICATION

ALL RIGHTS RESERVED.

THIS DRAWING IS UNPUBLISHED.

COPYRIGHT 2017 By TE Connectivity

DIMENSIONS: mm [INCHES]	DWN N. NAGAR	06JUL2017	MATERIAL	-	FINISH	-
	CHK -	-				
TOLERANCES UNLESS OTHERWISE SPECIFIED:	APVD A. POOLE	06JUL2017				
0 PLC ± - 1 PLC ± - 2 PLC ± - 3 PLC ± - 4 PLC ± - ANGLES ± -	PRODUCT SPEC	-	NAME RECTANGULAR BOOT SUBMINIATURE STRAIGHT, COATED 214A0XX-25C-0			
	APPLICATION SPEC	-	SIZE	CAGE CODE	DRAWING NO	RESTRICTED TO
	WEIGHT	-	A4	00779	C-214A0XX-25C-0	-
CUSTOMER DRAWING			SCALE	DNS	SHEET	1 OF 2
					REV	1

REVISIONS

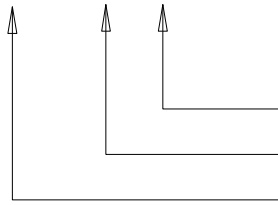
P	LTR	DESCRIPTION	DATE	DWN	APVD
-	-	SEE SHEET 1	-	-	-

COMPATIBILITY CHART

Material Dash No.	Material Description	SPEC No.	Coating Slash No.
-25C	ELASTOMER/SILVER COMPOSITE	RW-3047	/86, /200

ORDERING INFORMATION

214A0\*\* - 25C / \*\* - 0



Adhesive Slash Number  
 Material Dash Number (see compatibility chart)  
 Base Part Number


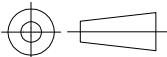
NOTES

- As supplied dimensions are for parts without adhesive, when an adhesive layer is added entry diameters will reduce by 1.5mm Max.

RELEASED FOR PUBLICATION

ALL RIGHTS RESERVED.

© COPYRIGHT 2017 By TE Connectivity

DIMENSIONS: mm [INCHES]	DWN N. NAGAR 06JUL2017	MATERIAL -	FINISH -		
	CHK -	 TE Connectivity			
TOLERANCES UNLESS OTHERWISE SPECIFIED:	APVD A. POOLE 06JUL2017			NAME RECTANGULAR BOOT SUBMINITURE STRAIGHT, COATED 214A0XX-25C-0	
0 PLC ± -	PRODUCT SPEC -	SIZE A4	CAGE CODE 00779	DRAWING NO C-214A0XX-25C-0	RESTRICTED TO -
1 PLC ± -	APPLICATION SPEC -	WEIGHT			
2 PLC ± -		CUSTOMER DRAWING			
3 PLC ± -	SCALE DNS		SHEET 2 OF 2	REV 1	
4 PLC ± -					
ANGLES ± -					

## X-ON Electronics

Largest Supplier of Electrical and Electronic Components

*Click to view similar products for [Heat Shrink Cable Boots & End Caps](#) category:*

*Click to view products by [TE Connectivity](#) manufacturer:*

Other Similar products are found below :

[577159N001](#) [645494-000](#) [CX4132-000](#) [687025-000](#) [705331-000](#) [718446-000](#) [725666N001](#) [729257-000](#) [F27131-000](#) [F85868-000](#) [770-003S106W2](#) [770-013210W1](#) [770-013311](#) [770-013312](#) [806542N001](#) [807507-000](#) [808362-000](#) [808618-000](#) [809125-000](#) [809130-000](#) [809218-000](#) [812014-000](#) [812047-000](#) [813166-000](#) [813767N002](#) [814741-000](#) [819117N001](#) [823026-000](#) [823070-000](#) [841189N001](#) [861471-000](#) [866647-000](#) [879515-000](#) [937577-000](#) [957073-000](#) [982033-2](#) [A77813-000](#) [R280576000](#) [D96192-000](#) [163549-000](#) [EN3BOOTLKIT](#) [MTPSRBCL-C](#) [1954015-1](#) [200W531-3-0](#) [202A163-4-0-CS5067](#) [202A343-3-00-0](#) [202B221-13-0](#) [202B231-13-0](#) [202B563-25-07-0](#) [202C241-13-0](#)