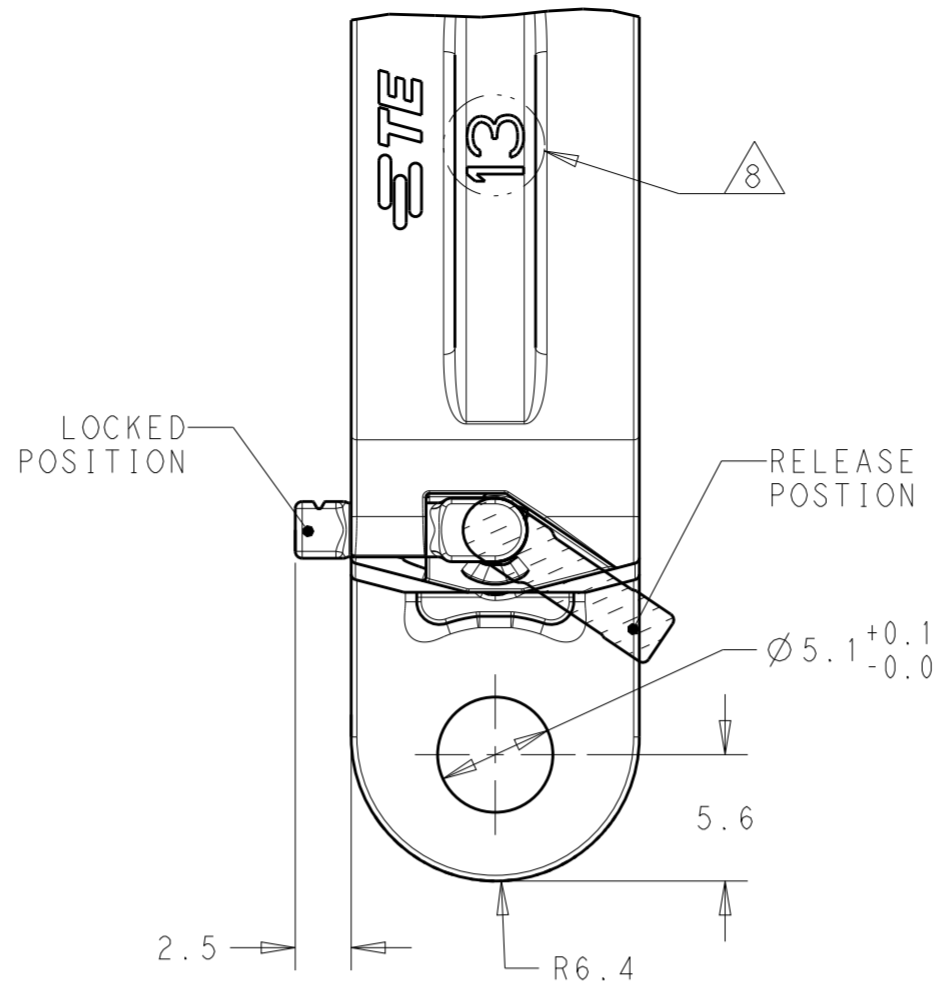
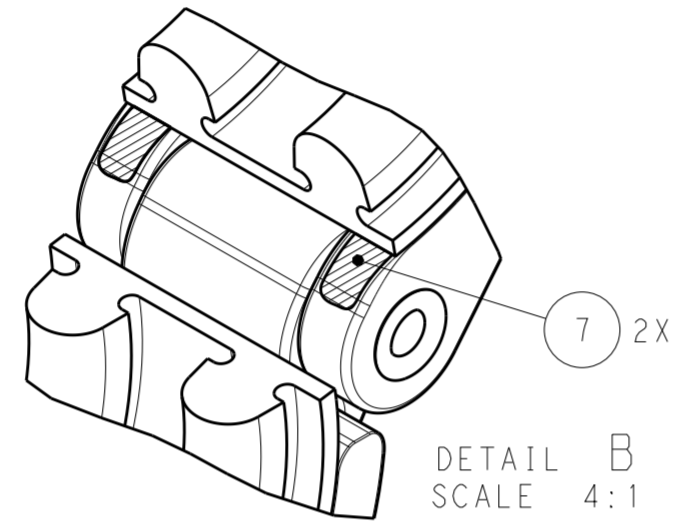
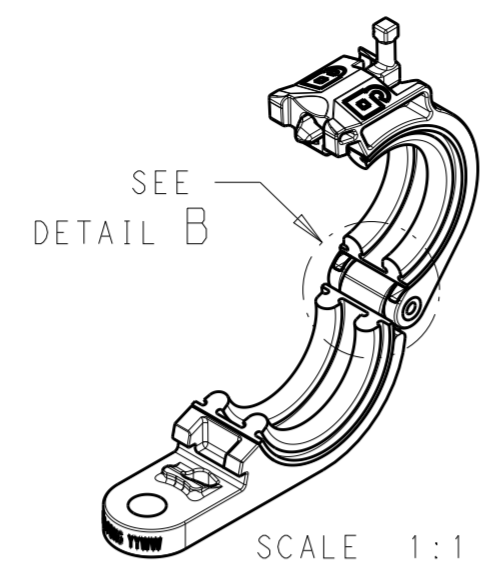


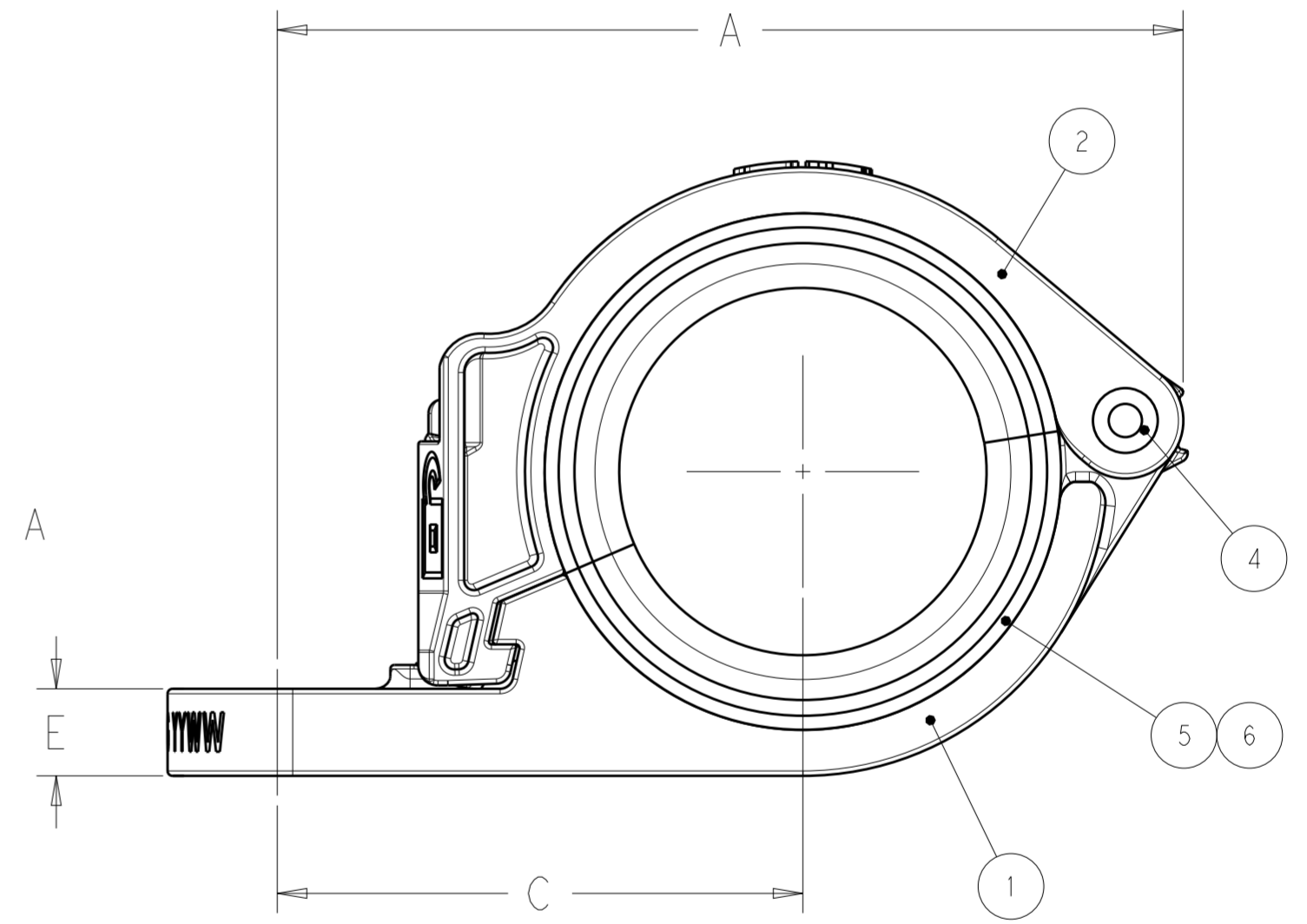
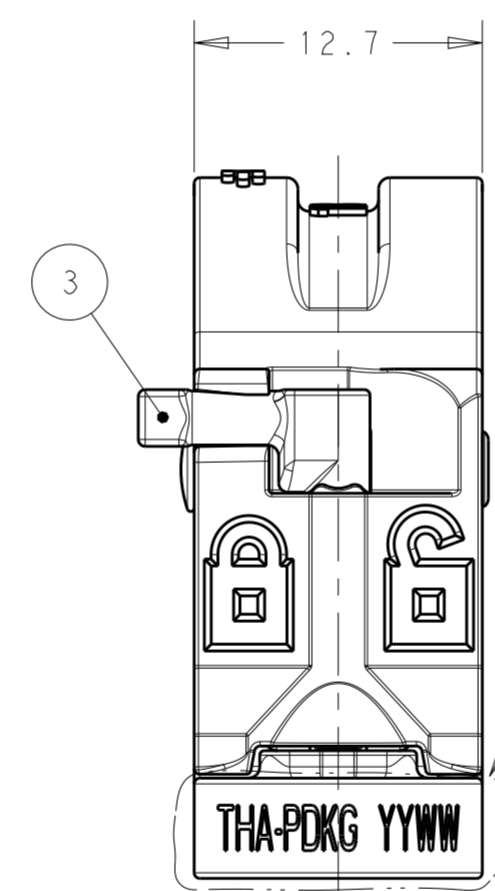
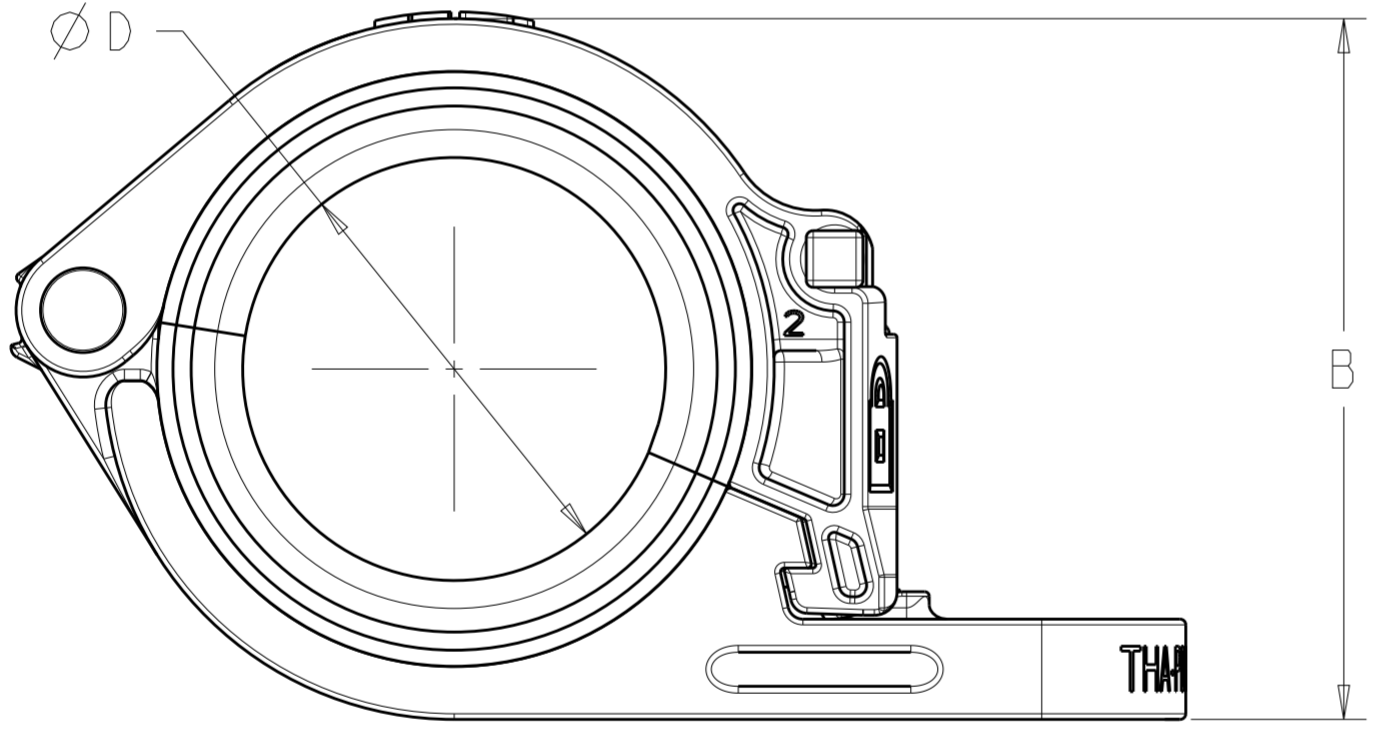
THIS DRAWING IS UNPUBLISHED. RELEASED FOR PUBLICATION
 © COPYRIGHT 2019 BY TE CONNECTIVITY ALL RIGHTS RESERVED.

REVISIONS					
P	LTR	DESCRIPTION	DATE	DWN	APVD
A		INITIAL RELEASE PER ECO-19-006198	18-APR-19	PT	LR

MATERIAL TABLE		
ITEM	DESCRIPTION	MATERIAL
1	LOWER CLAMP	PEEK GF 30%, BLACK
2	UPPER CLAMP	PEEK GF 30%, BLACK
3	LOCKING PIN	PEEK GF 30%, NATURAL
4	PIVOT PIN	△6 △7
5	CUSHION	△5
6	ADHESIVE	ETHYL CYANOACRYLATE
7	PROTECTIVE COATING	CHROMATE-FREE EPOXY TOP COAT



PART AND DIMENSION TABLE						
CLAMP NO.	WEIGHT	A	B	C	ØD (RANGE)	E
THA-PDKG-03	3.5	28.5	12.9	18.2	3.18 - 6.35	3.5
THA-PDKG-05	4.6	32.5	16.5	20.2	6.35 - 9.53	3.5
THA-PDKG-07	5.7	35.7	20.1	21.6	9.53 - 12.70	3.8
THA-PDKG-09	6.7	40.0	23.7	23.9	12.70 - 15.88	3.8
THA-PDKG-11	7.8	43.2	27.3	25.4	15.88 - 19.05	4.4
THA-PDKG-13	8.9	46.2	30.9	26.7	19.05 - 22.23	4.4
THA-PDKG-15	10.2	49.8	34.5	28.6	22.23 - 25.40	4.4
THA-PDKG-17	11.6	53.1	38.1	29.8	25.40 - 28.58	5.0
THA-PDKG-19	12.9	56.2	41.7	31.6	28.58 - 31.75	5.0
THA-PDKG-21	14.2	59.3	45.3	33.3	31.75 - 34.93	5.0

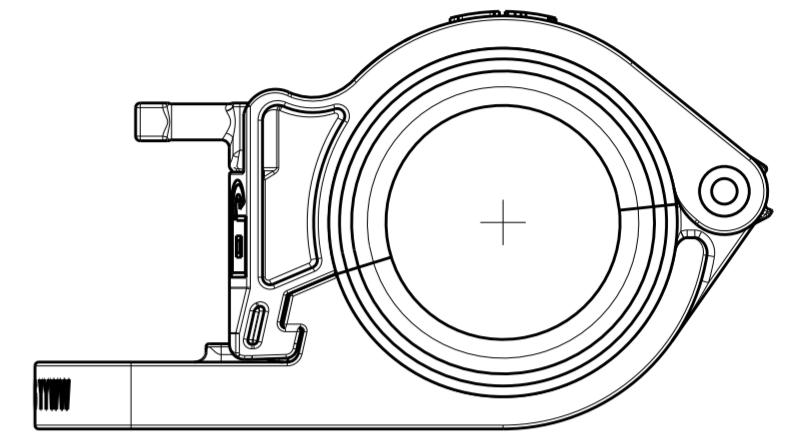
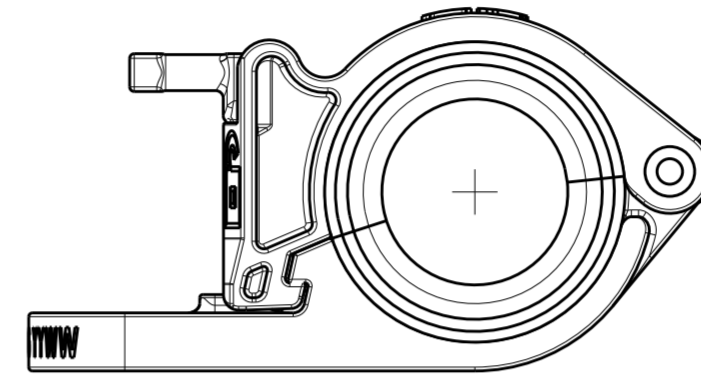
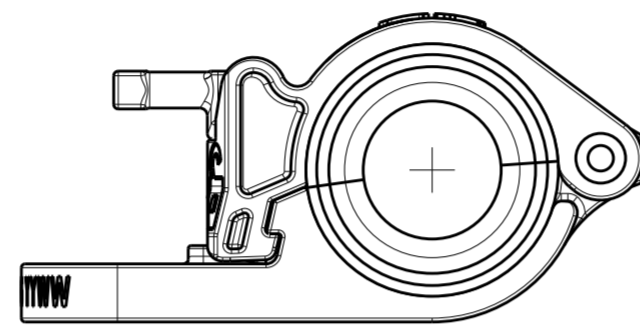
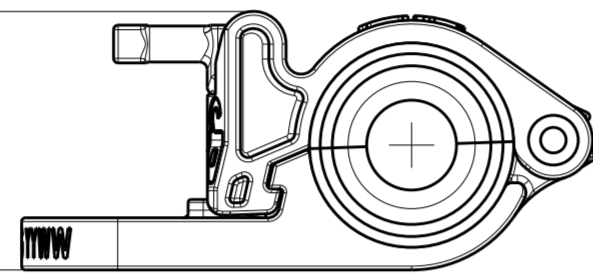
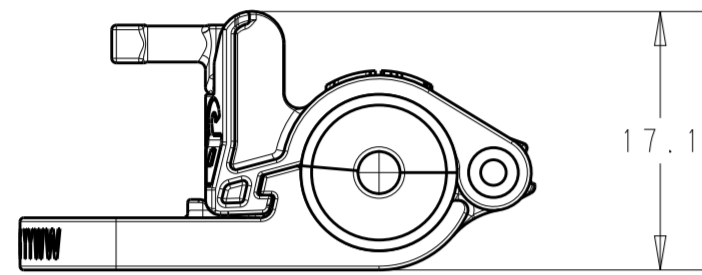
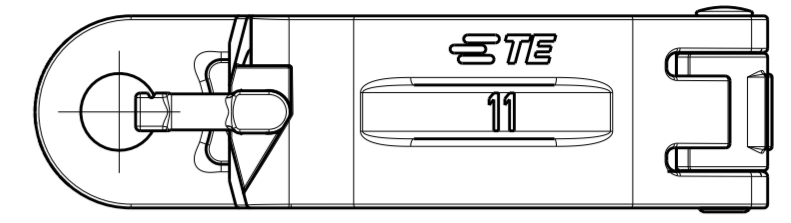
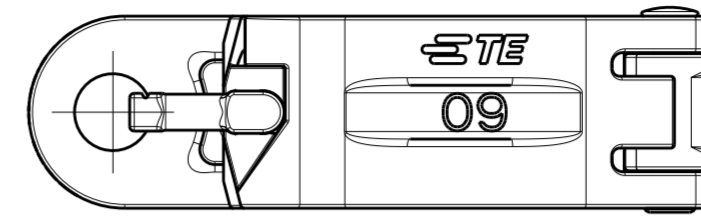
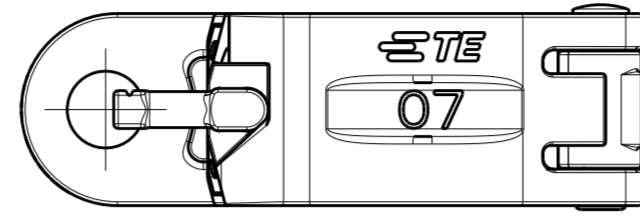
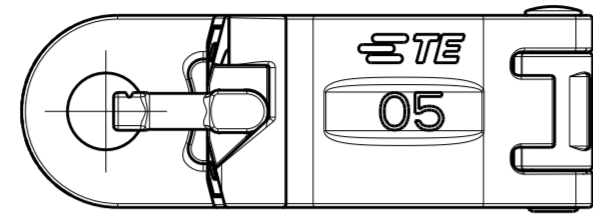
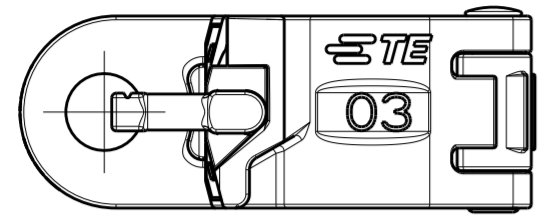


- NOTES: UNLESS OTHERWISE SPECIFIED
- ALL DIMENSIONS ARE NOMINAL
 - MATERIAL: SEE TABLE
 - PART MARKING: CLAMP PART FAMILY WITH YEAR/WEEK CODE AS SHOWN. FONT 2 MM MINIMUM HEIGHT
 - CLAMP MEETS REQUIREMENTS OF SAE AMS23190 TYPE III, CLASS 1, EXCLUDING PHOSPHATE ESTER BASED FLUIDS (SKYDROL LD-4), OPERATING TEMPERATURE RANGE: -65°C TO 85°C
 - CUSHION MATERIAL: CHLOROPRENE, MODIFIED. MEETS THE REQUIREMENTS OF SAE AMS3207
 - ALUMINUM 5056-H32 PER ASTM B211-12
 - CHEMICAL CONVERSION COATING PER MIL-DTL-5541, TYPE II, CLASS 1A, CLEAR
 - CLAMP SIZE IDENTIFICATION

THIS DRAWING IS A CONTROLLED DOCUMENT.		DWN: PTALLY 26MAR2019	TE Connectivity	
DIMENSIONS: mm		CHK: -		
TOLERANCES UNLESS OTHERWISE SPECIFIED:		APVD: L RODRIGUEZ 18APR2019	NAME: COMPOSITE P-CLAMP, SIZE 03 THRU 21, DUAL CUSHION	
0 PLC ±		PRODUCT SPEC: -	SIZE: A206090	
1 PLC ±0.3		APPLICATION SPEC: -	CAGE CODE: C-THA-PDKG-XX	
2 PLC ±0.13		WEIGHT: GRAM	DRAWING NO: -	
3 PLC ±0.025		CUSTOMER DRAWING	RESTRICTED TO: -	
4 PLC ±		SCALE: 3:1	SHEET 1 OF 2	
ANGLES FINISH ±			REV: A1	

THIS DRAWING IS UNPUBLISHED. RELEASED FOR PUBLICATION
 © COPYRIGHT 2019 BY - TE CONNECTIVITY ALL RIGHTS RESERVED.

REVISIONS				
P	LTR	DESCRIPTION	DATE	APVD



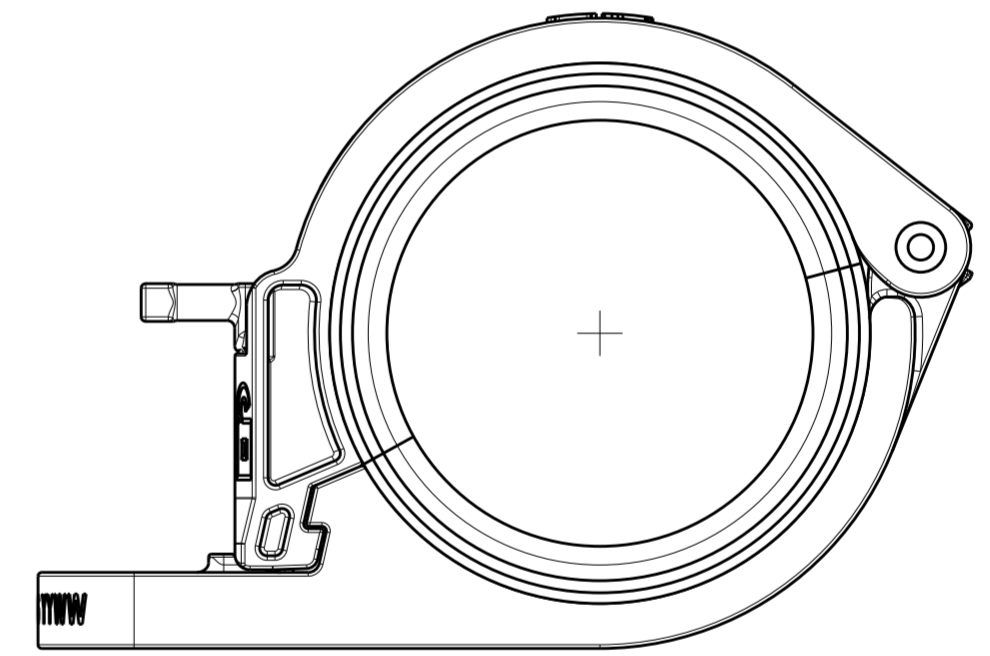
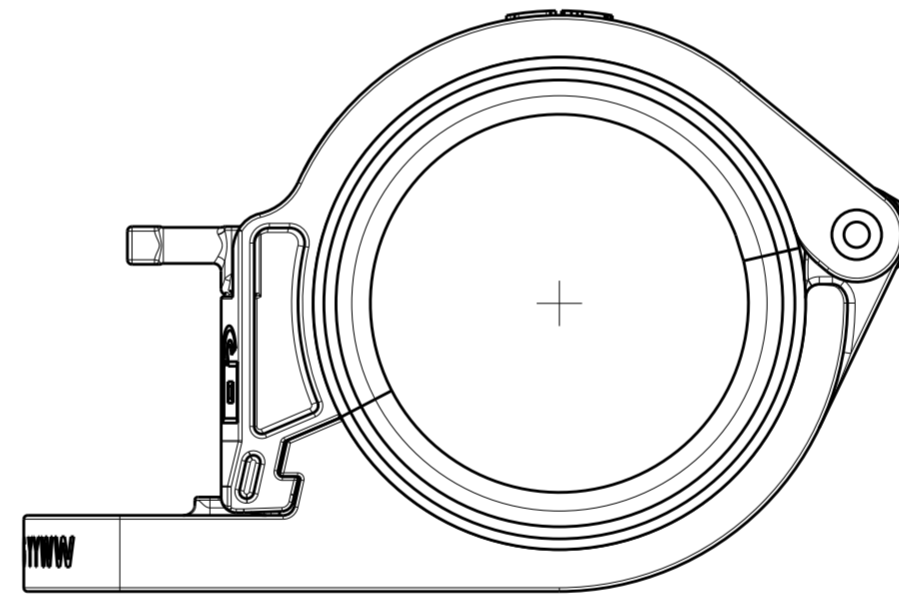
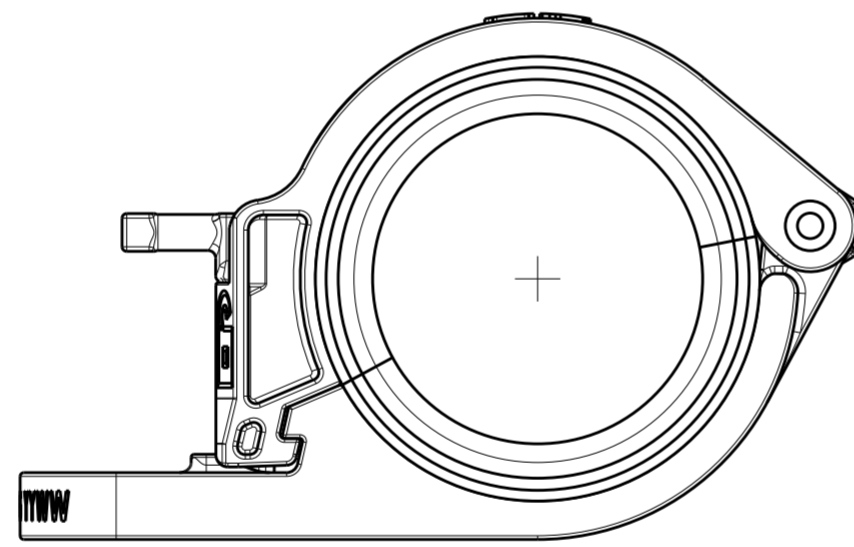
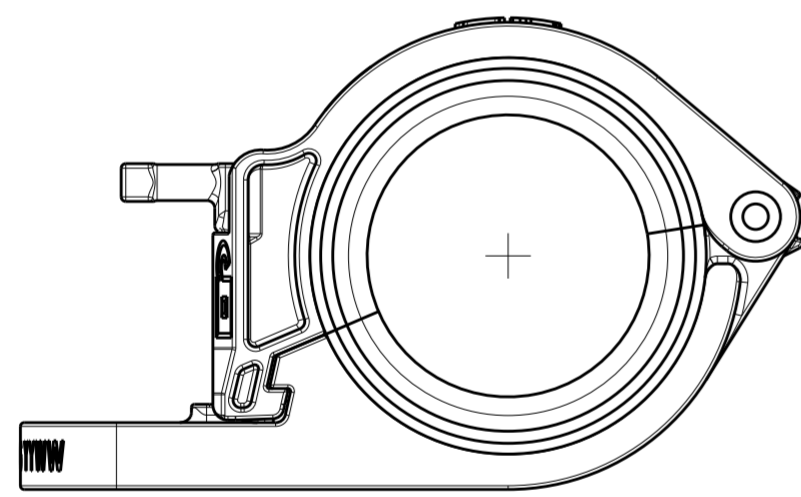
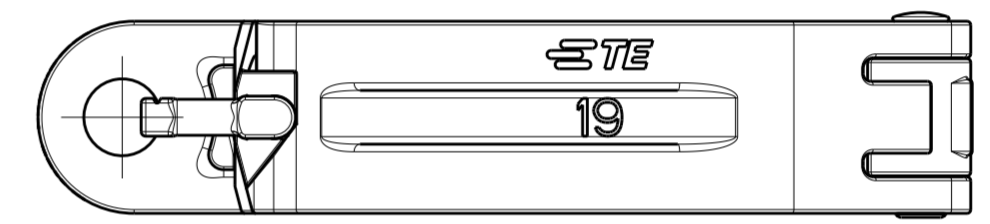
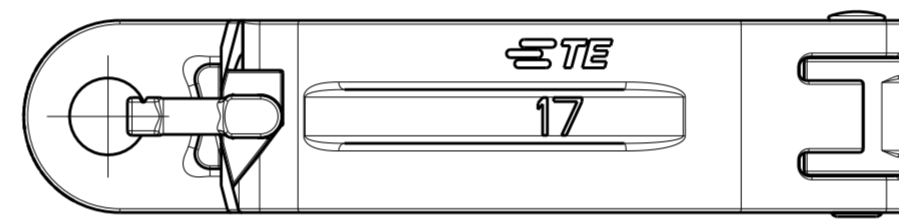
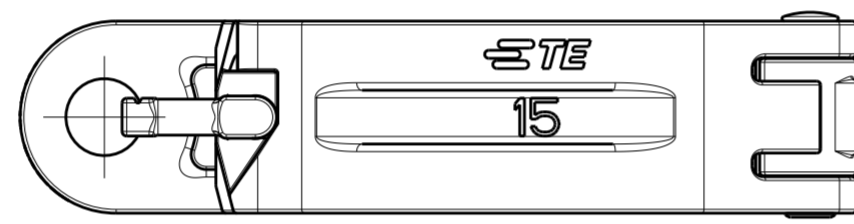
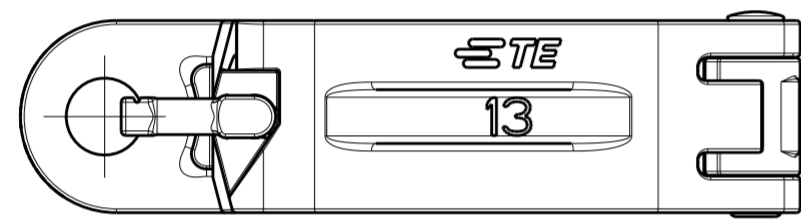
SIZE 03

SIZE 05

SIZE 07

SIZE 09

SIZE 11

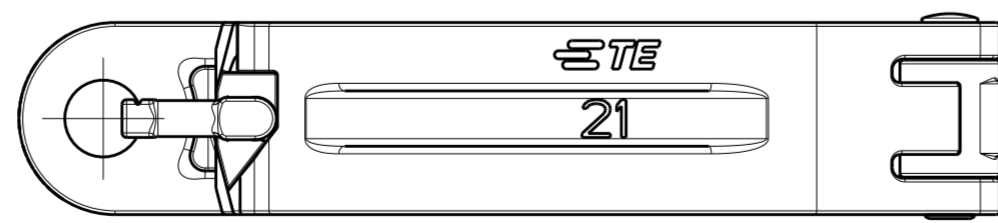
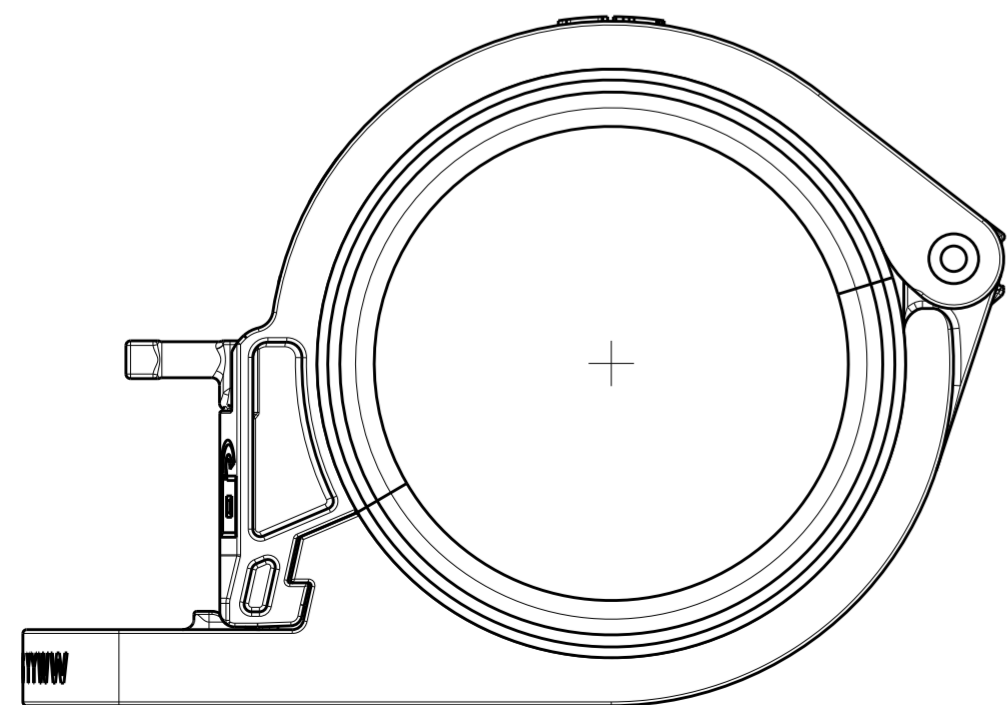


SIZE 13

SIZE 15

SIZE 17

SIZE 19



SIZE 21

THIS DRAWING IS A CONTROLLED DOCUMENT.		DWN PTALLY 26MAR2019	TE Connectivity	
DIMENSIONS: mm		CHK -		
TOLERANCES UNLESS OTHERWISE SPECIFIED:		APVD I RODRIGUEZ 18APR2019	NAME COMPOSITE P-CLAMP, SIZE 03 THRU 21, DUAL CUSHION	
0 PLC ±		PRODUCT SPEC -	SIZE CAGE CODE DRAWING NO RESTRICTED TO	
1 PLC ±0.3		APPLICATION SPEC -	A206090 C-THA-PDKG-XX	
2 PLC ±0.13		WEIGHT GRAM	SCALE 1:1 SHEET 2 OF 2 REV A1	
3 PLC ±0.025		CUSTOMER DRAWING		
4 PLC ±				
ANGLES ±				
FINISH ±				
MATERIAL SEE TABLE				

X-ON Electronics

Largest Supplier of Electrical and Electronic Components

Click to view similar products for [Cable Mounting & Accessories](#) category:

Click to view products by [TE Connectivity](#) manufacturer:

Other Similar products are found below :

[HP-4N](#) [582603-1](#) [009333-000](#) [727844N003](#) [809090N001](#) [8109](#) [843188-000](#) [843459N001](#) [843460N003](#) [8666](#) [967279N002](#) [GPQC1/0](#) [DB-11](#) [1300830208](#) [1300840039](#) [1300900026](#) [1300990052](#) [1301740005](#) [1301800121](#) [1301800416](#) [1300830184](#) [1300990149](#) [1301580036](#) [1301720103](#) [1301720135](#) [1301720152](#) [1301720157](#) [1301740009](#) [1301770011](#) [1301850553](#) [1301860939](#) [1302000074](#) [1302264431](#) [1337706-2](#) [APA18-AK](#) [MTX6UTPSRC-C](#) [1-787307-1](#) [185491N001](#) [HP-6N](#) [C-202-C](#) [202C221-13-0](#) [OMTM-S10-C0](#) [205339-4](#) [CA7308-000](#) [8S23-75FR-CS8184](#) [2684](#) [9648](#) [3089](#) [988382-000](#) [A0270164](#)