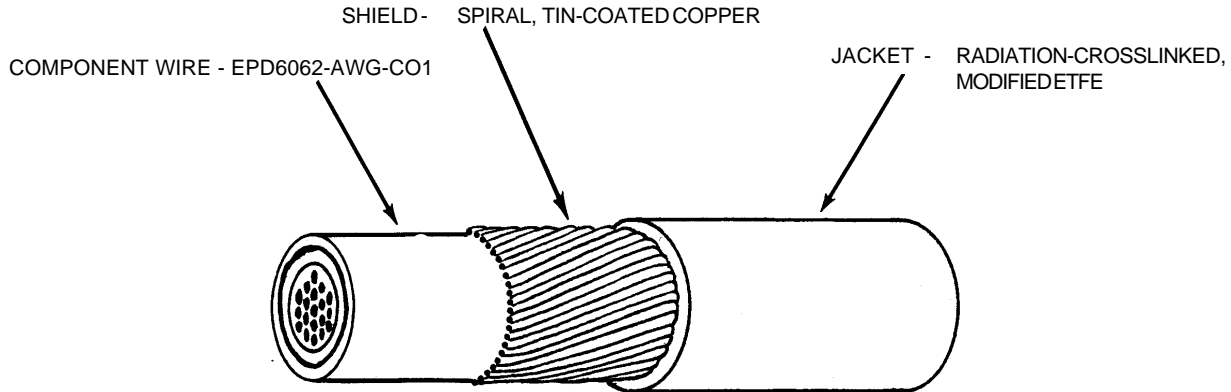


SPECIFICATION CONTROL DRAWING

EPD6062

TITLE	ONE CONDUCTOR CABLE, SPIRALLY SHIELDED, JACKETED	Date	7-29-04	Revision	C
-------	--	------	---------	----------	---

This specification sheet forms a part of the latest issue of Raychem Specification 55A.



CABLE CONSTRUCTION DETAILS						
PARTNUMBER <u>1/</u>	CONDUCTOR SIZE (AWG)	SHIELD SIZE (AWG)	MINIMUM JACKET THICKNESS (inch)	OUTSIDE DIAMETER (inch)		MAXIMUM WEIGHT (lb/1000 ft)
				NOMINAL	MAXIMUM	
EPD6062-16-*	16	38	.007	.104	.111	15.42
EPD6062-14-*	14	38	.007	.118	.123	21.30
EPD6062-12-*	12	38	.007	.140	.147	30.20
EPD6062-10-*	10	38	.013	.177	.185	47.29

CABLE RATINGS AND ADDITIONAL REQUIREMENTS

TEMPERATURE RATING: 150°C
 Maximum continuous conductor temperature
 VOLTAGE RATING: 600 volts (rms) at sea level
 ACCELERATED AGING: 300 ± 3°C for 7 hours
 BLOCKING: 200 ± 3°C for 6 hours
 DIELECTRIC WITHSTAND: 1500 volts (rms), 60 Hz
 FLAMMABILITY: Procedure 1,
 3 seconds (maximum); 3 in. (maximum);
 no flaming of facial tissue
 JACKET COLOR: White preferred
 JACKET ELONGATION AND TENSILE STRENGTH:
 Elongation, 50% (minimum)
 Tensile Strength, 5000 lbf/in² (minimum)

JACKET FLAWS:
 Spark Test, 1000 volts (rms)
 Impulse Dielectric Test, 6.0 kV (peak)
 LIFE CYCLE: 200 ± 3°C for 168 hours
 LOW TEMPERATURE-COLD BEND: -65 ± 2°C for 4 hours
 SHIELD COVERAGE: 90% (minimum)
 VOLTAGE WITHSTAND TEST (Post Environmental):
 1000 volts (rms), 60 Hz, 1 minute

PARTNUMBER:
 The "*" in the part numbers above shall be replaced by a color code designator with a dash separating the component wire color from the jacket color.
1/ Example: AWG 16, white component wire; white jacket:
 EPD6062-16-9-9

NOTE: Nominal values are for information only.
 Nominal values are not requirements.

Users should evaluate the suitability of this product for their application. Specifications are subject to change without notice. Tyco Electronics also reserves the right to make changes in materials or processing, which do not affect compliance with any specification, without notification to Buyer.

1/ COLORS AND COLOR CODE DESIGNATORS SHALL BE IN ACCORDANCE WITH MIL-STD-681. HOWEVER, DUE TO LENGTH LIMITATIONS OF THE RAYCHEM PART NUMBER, AN ALTERNATIVE COLOR CODE MAY REPLACE MIL-STD-681 COLOR CODE DESIGNATORS. (EXAMPLE: "901/902..." MAY BE REPLACED BY "Axxx".) OTHER CODES AND SUFFIXES MAY BE ADDED TO THE PART NUMBER, AS NECESSARY, TO CAPTURE ANY ADDITIONAL REQUIREMENTS IMPOSED BY THE PURCHASE ORDER.

DIMENSIONS ARE IN INCHES, AND UNLESS OTHERWISE DESIGNATED ARE NOMINAL.

THIS SPECIFICATION SHEET TAKES PRECEDENCE OVER DOCUMENTS REFERENCED HEREIN.
 REFERENCED DOCUMENTS SHALL BE OF THE ISSUE IN EFFECT ON DATE OF INVITATION FOR BID.



Raychem Wire & Cable
 501 Oakside Avenue
 Redwood City, CA 94063-3800
 Phone: 1-800-227-8816
 Fax: 1-650-361-6297

X-ON Electronics

Largest Supplier of Electrical and Electronic Components

Click to view similar products for [Multi-Conductor Cables](#) category:

Click to view products by [TE Connectivity](#) manufacturer:

Other Similar products are found below :

[89182-010-1000](#) [89705-008-500](#) [6000FE-877-1000](#) [CS2885-000](#) [M27500-20SP2S23](#) [6300FE-877-U1000](#) [6309UE-877-1000](#) [M3905-BK005](#)
[6502FE 8771000](#) [6541PA-008-U1000](#) [CV6807-000](#) [CW9530-000](#) [CX6543-000](#) [CXA-0066-20-4-9CS2973](#) [CXA-0078-16-1-9CS2405](#) [CXA-](#)
[0078-22-4-9CS2405](#) [CXA-0078-24-4-9CS2405](#) [CXA-0140-16-6/9-9CS2405](#) [CY0660-000](#) [720451-000](#) [752687-000](#) [768146-000](#) [773159-000](#)
[82841-877-5000](#) [83318E-009-500](#) [8348-060-500](#) [83559-002-1000](#) [83653-002-5000](#) [83659-002-1000](#) [83709-002-1000](#) [8404-060-500](#) [8469](#)
[060100](#) [858171-000](#) [8628-060-500](#) [868361-001](#) [8730-060-1000](#) [8737-060-U1000](#) [8747-060-100](#) [8747-060-1000](#) [8769-060-1000](#) [8775-060-](#)
[500](#) [877541-000](#) [8780-060-1000](#) [8782-001-U1000](#) [88444-002-1000](#) [9159-060-500](#) [9318-060-1000](#) [939870-000](#) [9423 060U500](#) [9444](#)
[060U1000](#)