

4

3

2

1

THIS DRAWING IS UNPUBLISHED.

RELEASED FOR PUBLICATION

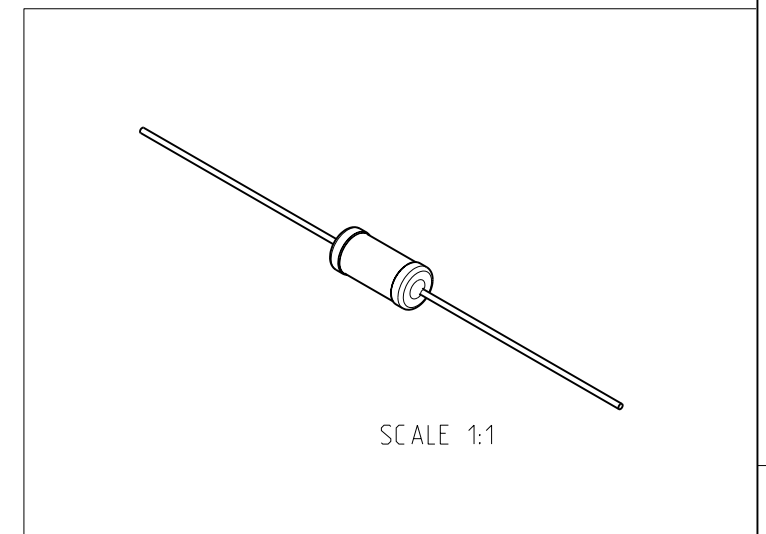
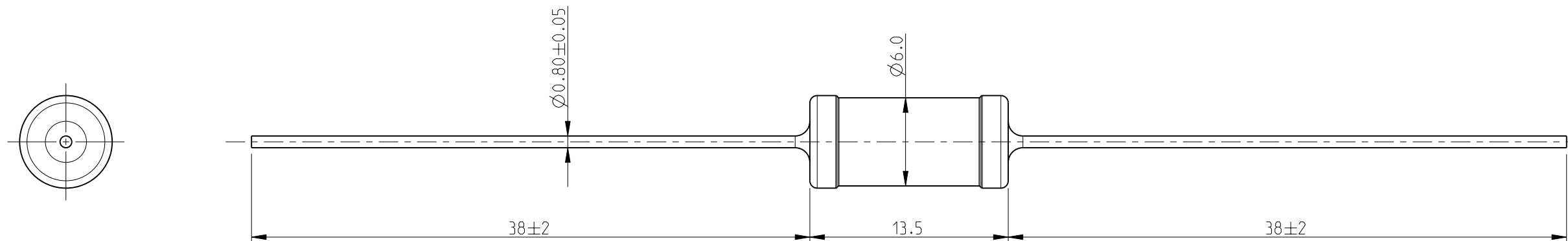
2008


© COPYRIGHT 2008 BY -

ALL RIGHTS RESERVED.

| LOC | DIST | REVISIONS   |                           |           |           |
|-----|------|-------------|---------------------------|-----------|-----------|
| P   | LTR  | DESCRIPTION | DATE                      | DWN       | APVD      |
| E   | B    | BA1         | REVISED PER ECO-11-005150 | 29MAR2011 | RK<br>HMR |

- 1. PACKAGING: AMMO PACKED
- 2. FOR FURTHER INFORMATION SEE DATA SHEET FOR SERIES ER/ERV- HIGH POWER RESISTORS



|  |  |                  |                     |  |  |           |            |               |
|--|--|------------------|---------------------|--|--|-----------|------------|---------------|
| THIS DRAWING IS A CONTROLLED DOCUMENT.   |  | DWN              | SUBHASH.M 28-JUL-09 |  |  TE Connectivity<br>HIGH POWER RESISTORS<br>SERIES ER74 |           |            |               |
| DIMENSIONS: mm   |  | CHK              | ALLAN.P 28-JUL-09   |  |  |           |            |               |
| TOLERANCES UNLESS OTHERWISE SPECIFIED:   |  | APVD             | STEPHEN.P 28-JUL-09 |  |  |           |            |               |
| 0 PLC ± 0.2<br>1 PLC ± 0.1<br>2 PLC ± -<br>3 PLC ± -<br>4 PLC ± -<br>ANGLES ± 5° |  | PRODUCT SPEC     | -                   |  |  |           |            |               |
| MATERIAL -   |  | FINISH           | -                   |  | APPLICATION SPEC   | -         |            |               |
|  |  | WEIGHT           | -                   |  | SIZE   | CAGE CODE | DRAWING NO | RESTRICTED TO |
|  |  | CUSTOMER DRAWING |                     |  | A3   | 00779     | 1623746    | -             |
|  |  |                  |                     |  | SCALE  | SHEET     | OF         | REV           |
|  |  |                  |                     |  | 3:1  | 1         | 1          | BA1           |

## X-ON Electronics

Largest Supplier of Electrical and Electronic Components

*Click to view similar products for [Wirewound Resistors - Through Hole](#) category:*

*Click to view products by [TE Connectivity](#) manufacturer:*

Other Similar products are found below :

[75822-2K4](#) [90J56R](#) [PW10-39R-5%](#) [ALSR1-20](#) [EP3WS47RJ](#) [RWR81S1000BRB12](#) [RWR81S12R4FRB12](#) [RWR81SR511FRB12](#)  
[RWR81SR619FRBSL](#) [RWR89S10R0FRB12](#) [RWR89S9310FPB12](#) [27J1K0](#) [93J62RE](#) [AC10000002208JAB00](#) [1HJ-25](#) [FSQ5WR47J](#) [25J39K](#)  
[25J5R0-B](#) [25W1D0](#) [272-303-JBW](#) [280-PRM5-150-RC](#) [CP0005270R0JE1491](#) [CPCC0510R00JE32](#) [CPCC051R000JB31](#) [CPW052K500JE143](#)  
[CPW05700R0JE143](#) [C1010RJL](#) [CA000210R00JE14](#) [VPR5F1500](#) [RS02B887R0FE73](#) [RWR74SR604FRB12](#) [RWR84S1001FRB12](#)  
[RWR84S20R0FSBSL](#) [RWR89S6190FSB12](#) [CPW055R000JB143](#) [ULW5-39R0JT075](#) [W31-R47JA1](#) [W31-R047JA1](#) [VP25K-120](#) [VC3D900](#)  
[ULW5-68RJT075](#) [65888-3R3](#) [CB5JB10R0](#) [CPW151K500JE313](#) [RWR80N3400FSB12](#) [RWR81S1000FRB12](#) [RWR81S1000FSB12](#)  
[RWR89S6R81FRB12](#) [RWR89N30R1FRB12](#) [RWR81S4R99FPB12](#)