

4

3

2

1

THIS DRAWING IS UNPUBLISHED.

RELEASED FOR PUBLICATION

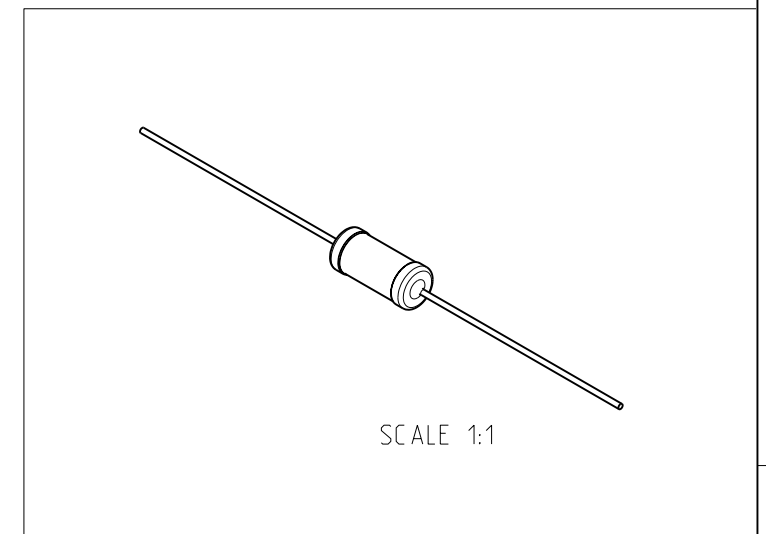
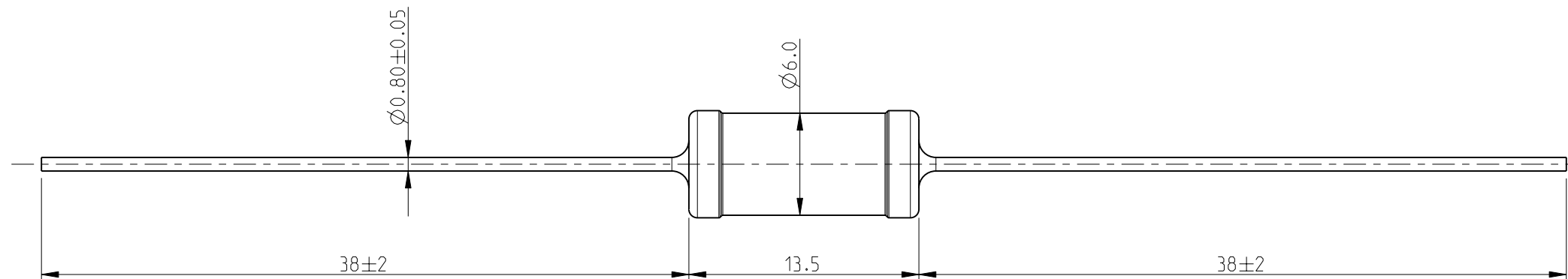
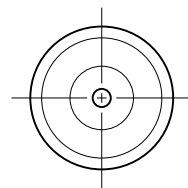
2008


© COPYRIGHT 2008 BY -

ALL RIGHTS RESERVED.

| LOC | DIST | REVISIONS | | | |
|-----|------|-------------|---------------------------|-----------|-----------|
| P | LTR | DESCRIPTION | DATE | DWN | APVD |
| E | B | BA1 | REVISED PER ECO-11-005150 | 29MAR2011 | RK HMR |

1. PACKAGING: AMMO PACKED
2. FOR FURTHER INFORMATION SEE DATA SHEET FOR SERIES ER/ERV- HIGH POWER RESISTORS



| | | | | | | | | | |
|--|--|------------------|---------------------|-----|--|-----------|------------|---------------|-----|
| THIS DRAWING IS A CONTROLLED DOCUMENT. | | DWN | SUBHASH.M 28-JUL-09 | |  TE Connectivity HIGH POWER RESISTORS SERIES ER74 | | | | |
| DIMENSIONS: mm | | CHK | ALLAN.P 28-JUL-09 | | | | | | |
| TOLERANCES UNLESS OTHERWISE SPECIFIED: | | APVD | STEPHEN.P 28-JUL-09 | | | | | | |
| 0 PLC ± 0.2 1 PLC ± 0.1 2 PLC ± - 3 PLC ± - 4 PLC ± - ANGLES ± - ± 5° | | PRODUCT SPEC | - | | | | | | |
| MATERIAL - | | FINISH | - | | APPLICATION SPEC | NAME | - | | |
| | | WEIGHT | - | | SIZE | CAGE CODE | DRAWING NO | RESTRICTED TO | |
| | | CUSTOMER DRAWING | | | A3 | 00779 | 1623746 | - | |
| | | SCALE | | 3:1 | SHEET | | 1 OF 1 | REV | BA1 |

X-ON Electronics

Largest Supplier of Electrical and Electronic Components

Click to view similar products for [Wirewound Resistors - Through Hole](#) category:

Click to view products by [TE Connectivity](#) manufacturer:

Other Similar products are found below :

[75822-2K4](#) [90J56R](#) [PW10-39R-5%](#) [ALSR1-20](#) [EP3WS47RJ](#) [RWR81S1000BRB12](#) [RWR81S12R4FRB12](#) [RWR81SR511FRB12](#)
[RWR81SR619FRBSL](#) [RWR89S10R0FRB12](#) [RWR89S9310FPB12](#) [27J1K0](#) [93J62RE](#) [AC10000002208JAB00](#) [1HJ-25](#) [FSQ5WR47J](#)
[FW10A33R0JA](#) [25J39K](#) [25J5R0-B](#) [25W1D0](#) [272-303-JBW](#) [280-PRM5-150-RC](#) [CP0005270R0JE1491](#) [CPCC0510R00JE32](#)
[CPCC051R000JB31](#) [CPW052K500JE143](#) [CPW05700R0JE143](#) [C1010RJL](#) [CA000210R00JE14](#) [VPR5F1500](#) [RS02B887R0FE73](#)
[RWR74SR604FRB12](#) [RWR84S1001FRB12](#) [RWR84S20R0FSBSL](#) [RWR89S6190FSB12](#) [CPW055R000JB143](#) [ULW5-39R0JT075](#) [W31-](#)
[R047JA1](#) [VP25K-120](#) [VC3D900](#) [ULW5-68RJT075](#) [65888-3R3](#) [CB5JB10R0](#) [CPW151K500JE313](#) [RWR80N3400FSB12](#)
[RWR81S1000FRB12](#) [RWR81S1000FSB12](#) [RWR89S6R81FRB12](#) [RWR89N30R1FRB12](#) [RWR81S4R99FPB12](#)