

4

3

2

1

THIS DRAWING IS UNPUBLISHED.

RELEASED FOR PUBLICATION

2008

© COPYRIGHT 2008 BY -

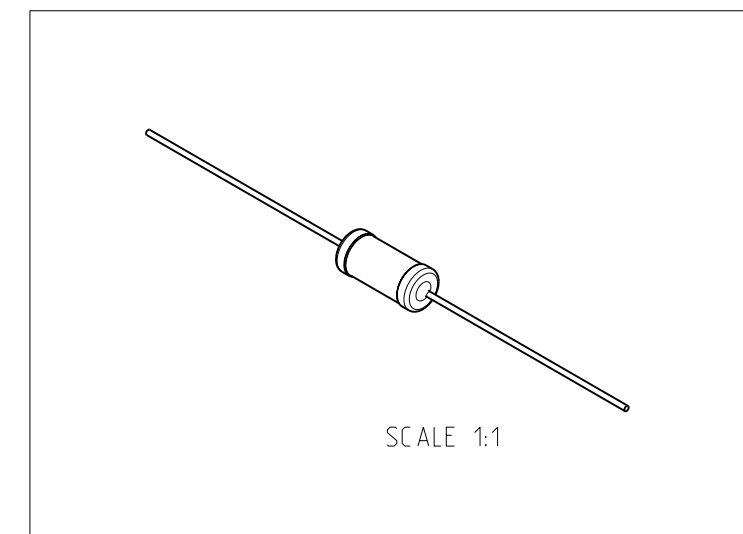
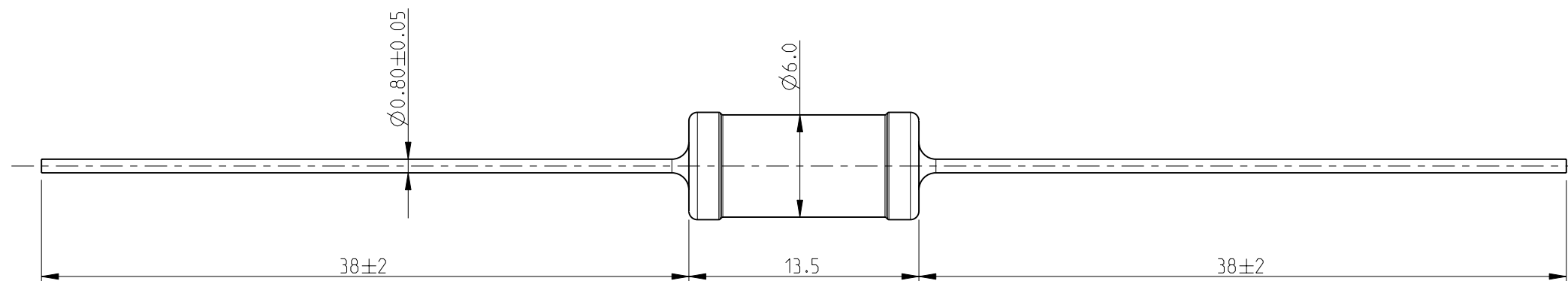
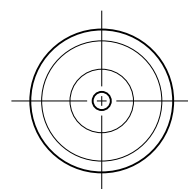
ALL RIGHTS RESERVED.

LOC E DIST B

REVISIONS

| P | LTR | DESCRIPTION               | DATE      | DWN | APVD |
|---|-----|---------------------------|-----------|-----|------|
|   | BA1 | REVISED PER ECO-11-005150 | 29MAR2011 | RK  | HMR  |

1. PACKAGING: AMMO PACKED
2. FOR FURTHER INFORMATION SEE DATA SHEET FOR SERIES ER/ERV- HIGH POWER RESISTORS



THIS DRAWING IS A CONTROLLED DOCUMENT.

DWN SUBHASH.M 28-JUL-09  
 CHK ALLAN.P 28-JUL-09  
 APVD STEPHEN.P 28-JUL-09



HIGH POWER RESISTORS  
SERIES ER74

| DIMENSIONS: | TOLERANCES UNLESS OTHERWISE SPECIFIED: |
|-------------|----------------------------------------|
| mm          |                                        |
|             | 0 PLC ± 0.2                            |
|             | 1 PLC ± 0.1                            |
|             | 2 PLC ± -                              |
|             | 3 PLC ± -                              |
|             | 4 PLC ± -                              |
|             | ANGLES ± - ± 5°                        |
| MATERIAL -  | FINISH -                               |

|                  |   |
|------------------|---|
| PRODUCT SPEC     | - |
| APPLICATION SPEC | - |
| WEIGHT           | - |
| CUSTOMER DRAWING |   |

|       |           |            |     |               |   |
|-------|-----------|------------|-----|---------------|---|
| NAME  | -         |            |     | RESTRICTED TO | - |
| SIZE  | CAGE CODE | DRAWING NO |     |               |   |
| A3    | 00779     | 1623746    |     |               |   |
| SCALE | SHEET     | OF         | REV |               |   |
| 3:1   | 1         | 1          | BA1 |               |   |

## X-ON Electronics

Largest Supplier of Electrical and Electronic Components

*Click to view similar products for [Wirewound Resistors - Through Hole](#) category:*

*Click to view products by [TE Connectivity](#) manufacturer:*

Other Similar products are found below :

[75822-2K4](#) [90J56R](#) [PW10-39R-5%](#) [ALSR1-20](#) [EP3WS47RJ](#) [RWR81S1000BRB12](#) [RWR81S12R4FRB12](#) [RWR81SR511FRB12](#)  
[RWR81SR619FRBSL](#) [RWR89S9310FPB12](#) [27J1K0](#) [93J62RE](#) [AC10000002208JAB00](#) [1HJ-25](#) [FSQ5WR47J](#) [25J39K](#) [25J5R0-B](#) [25W1D0](#)  
[272-303-JBW](#) [280-PRM5-150-RC](#) [CP0005270R0JE1491](#) [CPCC0510R00JE32](#) [CPCC051R000JB31](#) [CPW052K500JE143](#)  
[CPW05700R0JE143](#) [C1010RJL](#) [CA000210R00JE14](#) [VPR5F1500](#) [RS02B887R0FE73](#) [RWR74SR604FRB12](#) [RWR84S1001FRB12](#)  
[RWR84S20R0FSBSL](#) [RWR89S6190FSB12](#) [CPW055R000JB143](#) [ULW5-39R0JT075](#) [W31-R47JA1](#) [W31-R047JA1](#) [VP25K-120](#) [VC3D900](#)  
[ULW5-68RJT075](#) [65888-3R3](#) [CB5JB10R0](#) [CPW151K500JE313](#) [RWR80N3400FSB12](#) [RWR81S1000FRB12](#) [RWR81S1000FSB12](#)  
[RWR89S6R81FRB12](#) [RWR89N30R1FRB12](#) [RWR81S4R99FPB12](#) [RWR74S4R02FRRSL](#)