

## KILOVAC EV200P Series Latching Contactor With 1 Form X (SPST Latch) Contacts Rated 500+ Amps, 12-900 Vdc

### Product Facts

- Latching version of popular EV200 Series
- Designed to be the smallest, lowest cost, lightest weight sealed contactor in the industry at its current rating
- Optional auxiliary contacts for monitoring position of power contacts
- Hermetically sealed — operates in explosive/harsh environments with no oxidation or contamination of coil or contacts during long periods of non-operation
- Not position sensitive, can be mounted in any orientation
- RoHS versions available



### Physical Data

**Contact Arrangements** — Main Contacts — SPST, Latching  
 Auxiliary Contacts 1 — Up to 2 Form A

**Dimensions** — See drawing

**Weight, Nominal** — .95 lb. (.43 kg)

### Environmental Data

**Shock, 11ms 1/2 Sine (Operating)** — 30 G<sub>peak</sub>

**Sine Vibration, 20 G<sub>peak</sub>** — 55-2000 Hz

**Random Vibration, 14.06 Grms** — 15 Hz (.002 G<sup>2</sup>/Hz), 100 Hz (.002 G<sup>2</sup>/Hz), 450 Hz (.12 G<sup>2</sup>/Hz), 900 Hz (.12 G<sup>2</sup>/Hz), 2000 Hz (.083 G<sup>2</sup>/Hz)

**Operating Temperature Range** — -40°C to +85°C

### Electrical Data

**Voltage Rating** — Main Contacts (Max) — 750 Vdc

**Current Rating, Continuous** — Main Contacts 2 — 500A

**Contact Resistance** — Main Contacts 3 — 0.2 mΩ max above 300A  
 0.3 mΩ max between 50 and 300A

**Hot Switching Performance (Positive Polarity)** 4 — 200A make/ break @ 270Vdc — 10,000 cycles  
 600A make/ break @ 360Vdc — 100 cycles  
 800A break only @ 360Vdc — 15 cycles  
 2000A break only @ 360Vdc — 1 cycle

**Mechanical Life (Min)** — 75,000 cycles

**Pick Up/Latch (Max) @ 25°C** — 9 Vdc

**Hold (Min)** — N/A

**Reset (Max)/Dropout (Min)** — 9 Vdc

**Duty Cycle, Max** 7 — 20%

**Coil Resistance @ 25°C** — 2.5 Ω

**Operate Specs @ 25°C** — Operate Time (Typ) — 15 ms  
 Operate Bounce (Max) — 7 ms  
 Release Time (Max) — 15 ms

### Notes:

- 1 Product can be configured alternately with form B or C auxiliary switches if required. This changes the product part number, depending on specific auxiliary configuration. Consult TE for availability and part number
- 2 Ambient conditions and conductor design affect rating. Terminal temperature rise should be 75°C max above ambient. Keep relay terminals below 150°C max continuous, 175°C max for two hours, and 200°C for 1 minute.
- 3 Stabilized reading. Contact resistance may exceed spec in the first 10 minutes of current carry.
- 4 Units are polarity sensitive. Approximately 50% de-rating for reverse polarity switching. Consult factory for review of specific requirements.
- 5 Over temperature range unless noted. Suggested coil pulse = 50-100 ms.
- 6 24V and 48V coils available on request — consult factory.
- 7 Intermittent Duty Coil. Coil overheating can occur if duty cycle

### Dielectric Withstand Voltage

Terminal to Terminal/ Terminals to Coil — 1mA max @ 2,200 Vrms

### Insulation Resistance

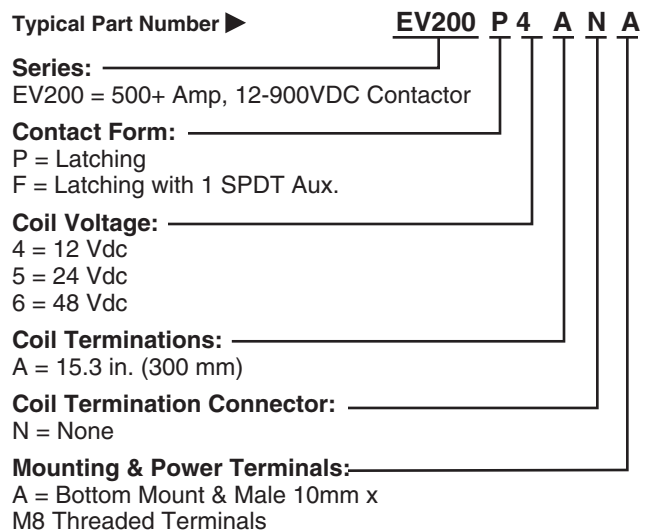
Terminal to Terminal/ Terminals to Coil — 100MΩ min @ 500Vdc new  
 50MΩ min @ 500Vdc end of life

### Coil Data 5

**Nominal Coil Voltage** 6 — 12 Vdc

### Ordering Information

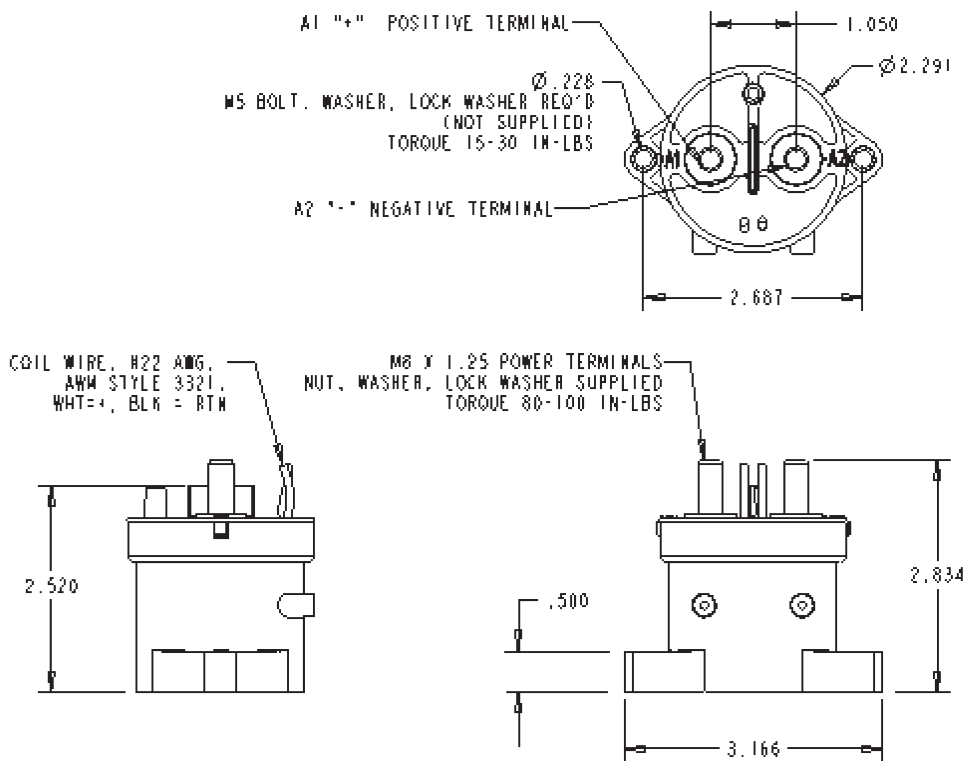
Typical Part Number ►



For factory-direct application assistance, dial 800-253-4560, ext. 2055, or 805-220-2055.

## KILOVAC EV200P Series Latching Contactor (Continued)

### Outline Dimensions



For factory-direct application assistance,  
 dial 800-253-4560, ext. 2055, or  
 805-220-2055.

## X-ON Electronics

Largest Supplier of Electrical and Electronic Components

*Click to view similar products for* [Contactors - Electromechanical category:](#)

*Click to view products by* [TE Connectivity manufacturer:](#)

Other Similar products are found below :

[6-1618400-7](#) [686-117111](#) [686-120111](#) [686-924](#) [686-948](#) [70-901](#) [70-914](#) [MB-3D-6](#) [MC-22A/4-AC120V](#) [8-1616943-9](#) [8-1672124-5](#)  
[A40-30-10-84](#) [120-905](#) [A701U](#) [120-904](#) [1393132-9](#) [154-905](#) [154-912](#) [154-913](#) [154-915](#) [154-902](#) [154-910](#) [AVR743D](#) [B6-40-00-84](#) [B7-40-00-84](#) [1616017-5](#) [1616021-1](#) [MVDILM](#) [HP-11D-24](#) [P25-E5019-1](#) [P30C47A12D1-120](#) [P40C47A12D1-120](#) [P40P47D13P1-24-01](#) [CA7-12-10-240](#) [CA7-72-00-24Z](#) [90-162](#) [9-1393132-2](#) [2NC4F0222](#) [A275KXXV2-120VAC](#) [ACC338UMM20](#) [AF80-30-11-13](#) [SZ-B1](#) [CGC-9A-120](#) [3GC2H0M22](#) [3NC0T0A22](#) [3NC1Q0A22](#) [3NC2H0A22](#) [3NC2T0122/SE](#) [3TF3400-0BB4](#) [MC-12B-DC24V](#)