

## KILOVAC EV200P Series Latching Contactor With 1 Form X (SPST Latch) Contacts Rated 500+ Amps, 12-900 Vdc

### Product Facts

- Latching version of popular EV200 Series
- Designed to be the smallest, lowest cost, lightest weight sealed contactor in the industry at its current rating
- Optional auxiliary contacts for monitoring position of power contacts
- Hermetically sealed — operates in explosive/harsh environments with no oxidation or contamination of coil or contacts during long periods of non-operation
- Not position sensitive, can be mounted in any orientation
- RoHS versions available



### Physical Data

**Contact Arrangements** — Main Contacts — SPST, Latching  
Auxiliary Contacts 1 — Up to 2 Form A

**Dimensions** — See drawing

**Weight, Nominal** — .95 lb. (.43 kg)

### Environmental Data

**Shock, 11ms 1/2 Sine (Operating)** — 30 G<sub>peak</sub>

**Sine Vibration, 20 G<sub>peak</sub>** — 55-2000 Hz

**Random Vibration, 14.06 Grms** — 15 Hz (.002 G<sup>2</sup>/Hz), 100 Hz (.002 G<sup>2</sup>/Hz), 450 Hz (.12 G<sup>2</sup>/Hz), 900 Hz (.12 G<sup>2</sup>/Hz), 2000 Hz (.083 G<sup>2</sup>/Hz)

**Operating Temperature Range** — -40°C to +85°C

### Electrical Data

**Voltage Rating** — Main Contacts (Max) — 750 Vdc

**Current Rating, Continuous** — Main Contacts 2 — 500A

**Contact Resistance** — Main Contacts 3 — 0.2 mΩ max above 300A  
0.3 mΩ max between 50 and 300A

**Hot Switching Performance (Positive Polarity)** 4 — 200A make/ break @ 270Vdc — 10,000 cycles  
600A make/ break @ 360Vdc — 100 cycles  
800A break only @ 360Vdc — 15 cycles  
2000A break only @ 360Vdc — 1 cycle

**Mechanical Life (Min)** — 75,000 cycles

**Pick Up/Latch (Max) @ 25°C** — 9 Vdc

**Hold (Min)** — N/A

**Reset (Max)/Dropout (Min)** — 9 Vdc

**Duty Cycle, Max** 7 — 20%

**Coil Resistance @ 25°C** — 2.5 Ω

**Operate Specs @ 25°C** — Operate Time (Typ) — 15 ms  
Operate Bounce (Max) — 7 ms  
Release Time (Max) — 15 ms

### Notes:

- Product can be configured alternately with form B or C auxiliary switches if required. This changes the product part number, depending on specific auxiliary configuration. Consult TE for availability and part number
- Ambient conditions and conductor design affect rating. Terminal temperature rise should be 75°C max above ambient. Keep relay terminals below 150°C max continuous, 175°C max for two hours, and 200°C for 1 minute.
- Stabilized reading. Contact resistance may exceed spec in the first 10 minutes of current carry.
- Units are polarity sensitive. Approximately 50% de-rating for reverse polarity switching. Consult factory for review of specific requirements.
- Over temperature range unless noted. Suggested coil pulse = 50-100 ms.
- 24V and 48V coils available on request — consult factory.
- Intermittent Duty Coil. Coil overheating can occur if duty cycle

### Dielectric Withstand Voltage

Terminal to Terminal/ Terminals to Coil — 1mA max @ 2,200 Vrms

### Insulation Resistance

Terminal to Terminal/ Terminals to Coil — 100MΩ min @ 500Vdc new  
50MΩ min @ 500Vdc end of life

### Coil Data 5

**Nominal Coil Voltage** 6 — 12 Vdc

### Ordering Information

Typical Part Number ►

**EV200 P 4 A N A**

**Series:** EV200 = 500+ Amp, 12-900VDC Contactor

**Contact Form:** P = Latching  
F = Latching with 1 SPDT Aux.

**Coil Voltage:** 4 = 12 Vdc  
5 = 24 Vdc  
6 = 48 Vdc

**Coil Terminations:** A = 15.3 in. (300 mm)

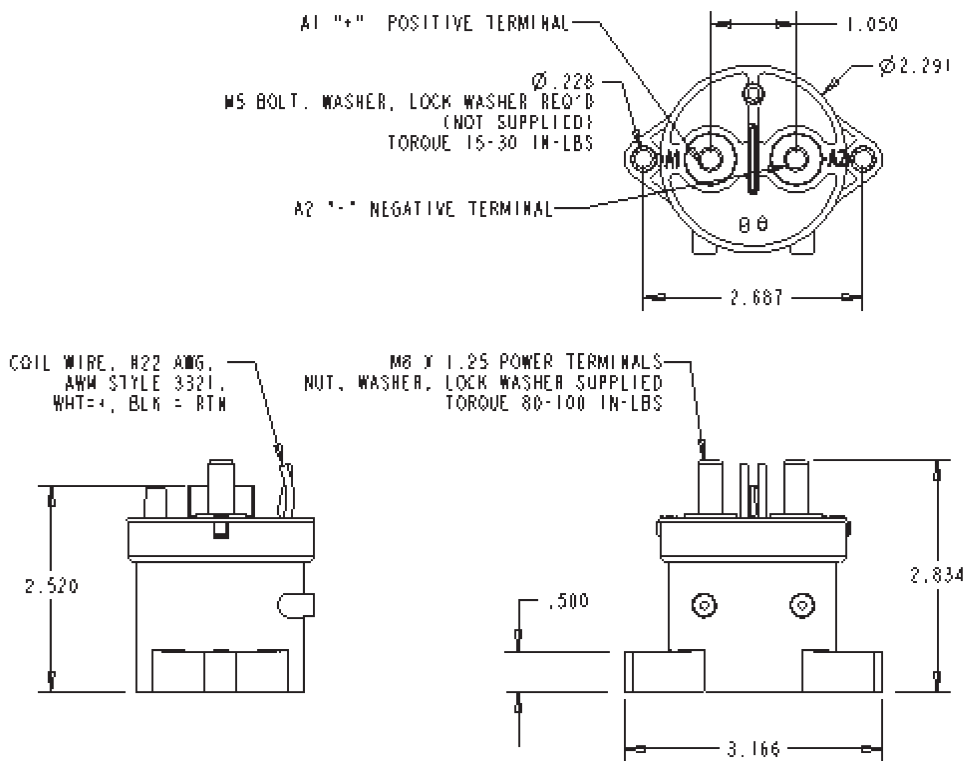
**Coil Termination Connector:** N = None

**Mounting & Power Terminals:** A = Bottom Mount & Male 10mm x M8 Threaded Terminals

For factory-direct application assistance, dial 800-253-4560, ext. 2055, or 805-220-2055.

## KILOVAC EV200P Series Latching Contactor (Continued)

### Outline Dimensions



For factory-direct application assistance,  
dial 800-253-4560, ext. 2055, or  
805-220-2055.

## X-ON Electronics

Largest Supplier of Electrical and Electronic Components

*Click to view similar products for [Industrial Relays](#) category:*

*Click to view products by [TE Connectivity](#) manufacturer:*

Other Similar products are found below :

[6-1617801-8](#) [6-1618107-9](#) [7-1618273-3](#) [EV250-4A-02](#) [EV250-6A-01](#) [FCA-125-CX8](#) [FCA-325-159](#) [FCA-410-138](#) [8000-S3121](#) [8-1618273-6](#)  
[8-1618393-1](#) [GCA63A220VAC60HZ](#) [GCA63A277VAC60HZ](#) [GCA63A600VAC60HZ](#) [1-1672275-3](#) [1-1833005-4](#) [H-16/S1](#) [A711Z](#) [H-8C](#)  
[H-8/S11](#) [H-8/S68](#) [ACC530U20](#) [ACC730U30](#) [RF303ZM4-12](#) [DH18DA](#) [1423675-8](#) [AR4-15F13-C01](#) [AR7-41F11](#) [AVR907](#) [15732A200](#)  
[B07B032AC1-0329](#) [B329](#) [B490A](#) [1618279-1](#) [BHR124Y](#) [1810DDB-SX](#) [N417](#) [P30C42A12D1-120](#) [2-1617748-6](#) [2-1618375-1](#) [2-1618396-6](#)  
[2-1618398-1](#) [JMAPD-5XL](#) [JMGACD-5M](#) [JMGSC-5LW](#) [JMGSCD-5L](#) [PBO-18A1218](#) [PBO-40A3040](#) [K8DSPH1200480VAC](#) [KA-3C-12A](#)