

EV202 SERIES

DPST-NO CONTACTOR (2 form X)

With option of 2 SPDT (form C)
Auxiliary Switch Outputs.

- **2 Pole Single-Throw Contactor – 400Vdc/ 350A per Pole**
- **12 or 24 VDC Coil**
- **Optional 2-SPDT auxiliary switch outputs:**
 - **30Vdc/ 2A max switching, or**
 - **6V/ 5mA min signal**
- **Hermetically Sealed**
- **Integrated Coil Economizer with Coil Suppression**
- **EMC Compliant – No radiated coil emission**
- **-55C to + 85C Operating Range**
- **Bidirectional Switching – Main contacts not polarity sensitive**
- **Mount in any orientation – not position sensitive**
- **RoHS Compliant**



EV202MSAND Shown (2 Aux Switches)



550 Linden Ave.
Carpinteria, CA US 93013
Internet: www.te.com

TITLE

EV202 CONTACTOR SERIES

SD-

EV202

CD CUSTOMER DRAWING

CAGE CODE
18741

SCALE
NONE

SHEET
1 of 6

General Specifications

Physical Data

Units

Contact Arrangement: Power Contacts	-	DPST-NO (2 form X)				
Auxiliary Switches		SPDT (form C)				
Number of Switches per Contactor Type: EV202AS EV202MS		None Two				
Dimensions	-	See drawing				
Weight, Nominal (not including hardware)	Kg	0.77				

Environmental Data

Shock, 11ms ½ sine (operating)	G _{peak}	20				
Sine Vibration, 10 G _{peak}	Hz	10-2000				
Random Vibration, 14 Grms	Hz	15	100	300	900	2000
	G ² /Hz	.01	.01	.2	.2	.01
Operating Temperature Range	°C	-55 to +85				

Electrical Data

Voltage Rating: Main Contacts (max)	Vdc	600				
Auxiliary contacts	Vdc	30				
Current Rating: Continuous: Main Contacts (1)	A/Pole	350				
Auxiliary contacts	A	3				
Contact Resistance: Main Contacts (2)	mΩ	100 max @ 1 amp 0.3 max @ 200A after 3 minutes				
Auxiliary Contacts	mΩ	200 max				
Hot Switching performance @ ± 400Vdc (3)	cycles					
100A make/ break		10,000				
250A make/ break		2,500				
700A break only		10				
Hot Switching performance @ ± 270Vdc (4)	cycles					
100A make/ break		40,000				
250A make/ break		7,500				
2000A break only @ ± 370Vdc (5)		2				
Maximum Closing Into (Make) Current	A	700				
Mechanical Life	cycles	100,000				
Dielectric Withstand Voltage over life:						
Terminal to Terminal/ Terminals to Coil		1mA max @ 2,200Vrms				
Insulation Resistance over life:						
Terminal to Terminal/ Terminals to Coil		50MΩ min @ 500Vdc				

- (1) Using 4/0 conductor. Current rating is affected by attached conductor size and design. Keep terminals below 150C max continuous, 175C for 2 hours max, and 200C for 1 minute max. For mounting large conductors, request terminal adapter PN 3-1618396-7.
- (2) Operational contact resistance is measured by millivolt drop across contacts a >100A current. Initial contact resistance may be higher than 0.3mΩ, but will drop below within 30 minutes maximum.
- (3) Voltage applied to each contact set separately.
- (4) Voltage applied across both contact sets in series
- (5) Dielectric Withstand Voltage may be degraded following 2000A interrupts at 370Vdc.



CUSTOMER DRAWING

SD-

EV202

THIRD ANGLE PROJECTION



THIS DRAWING
PREPARED IN
ACCORDANCE WITH
ANSI/ASME Y14.5M-1982

CAGE CODE
18741

SCALE
NONE

SHEET
2 of 6



Coil Data (over -40 to +85C temperature range
unless otherwise specified)

Coil Voltage, nominal/ maximum	Vdc	12/16	24/32
Pick Up, maximum (applied as step voltage only)	Vdc	8	16
Drop Out	Vdc	2.5 - 4	3 - 8
Inrush Current @ V-nominal, max	A	5	4.5
Inrush Time, nominal/ maximum	mS	75/ 150	75/ 150
Hold Current @V-nominal, max.	A	0.6	0.2
Internal Coil Suppression (max)	Vdc	40	60
Main Contacts:			
Operate Time, nominal/ maximum	mS	13/ 20	13/ 20
Operate Bounce, nominal/ maximum	mS	3/ 10	3/ 10
Release Time, nominal/ maximum	mS	7/ 12	7/ 12
Release time, maximum including maximum arc time	mS	25	25

Wire Color Code

Function	Color
Coil +	Red
Coil Return	Black
Aux A1 COM	Brown
NO	Yellow
NC	Purple
Aux B1 COM	Orange
NO	Green
NC	White

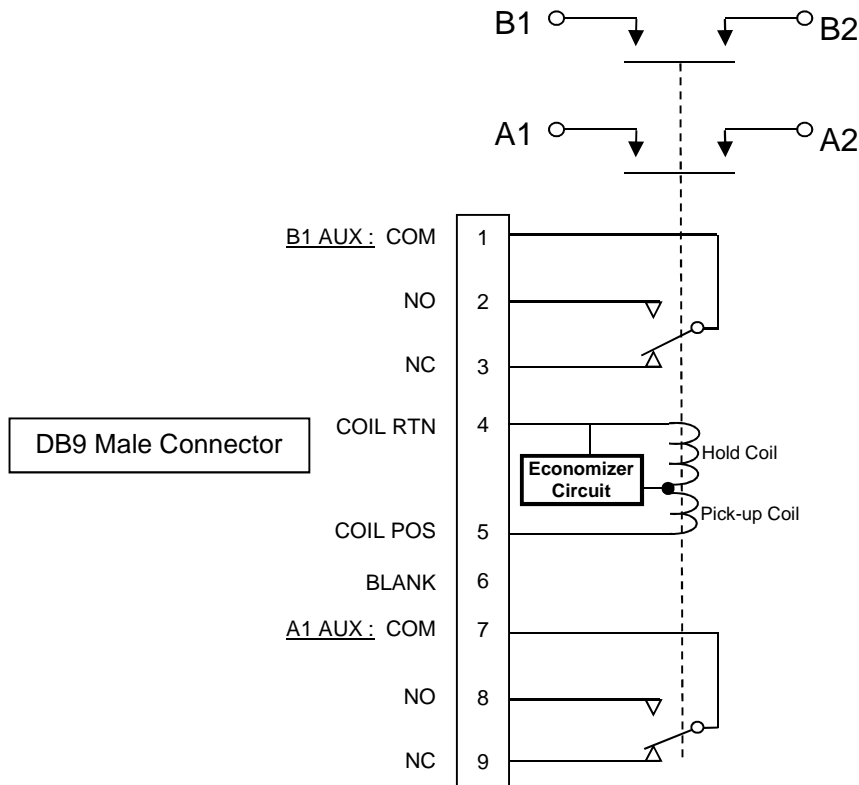
Note: EV202ASxxx type has 2 coil wires, with no auxiliary switches
EV202MSxxx type has 8 wires, with 2 auxiliary switches: A1 and B1

		CUSTOMER DRAWING		
		SD-	EV202	
<small>THIRD ANGLE PROJECTION</small> 	<small>THIS DRAWING PREPARED IN ACCORDANCE WITH ANSI/ASME Y14.5M-1982</small>	<small>CAGE CODE</small> 18741	<small>SCALE</small> NONE	<small>SHEET</small> 3 of 6

Schematic

EV202MSBFD shown for example.

Other versions may have different connectors and/ or different numbers of auxiliary switches



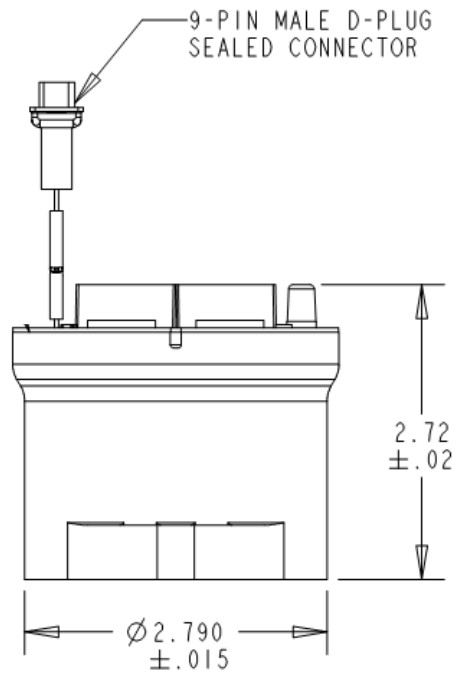
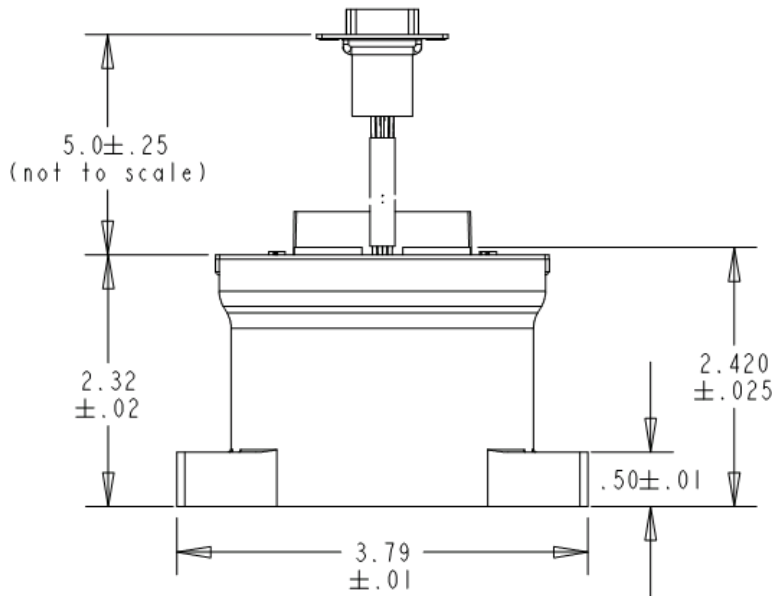
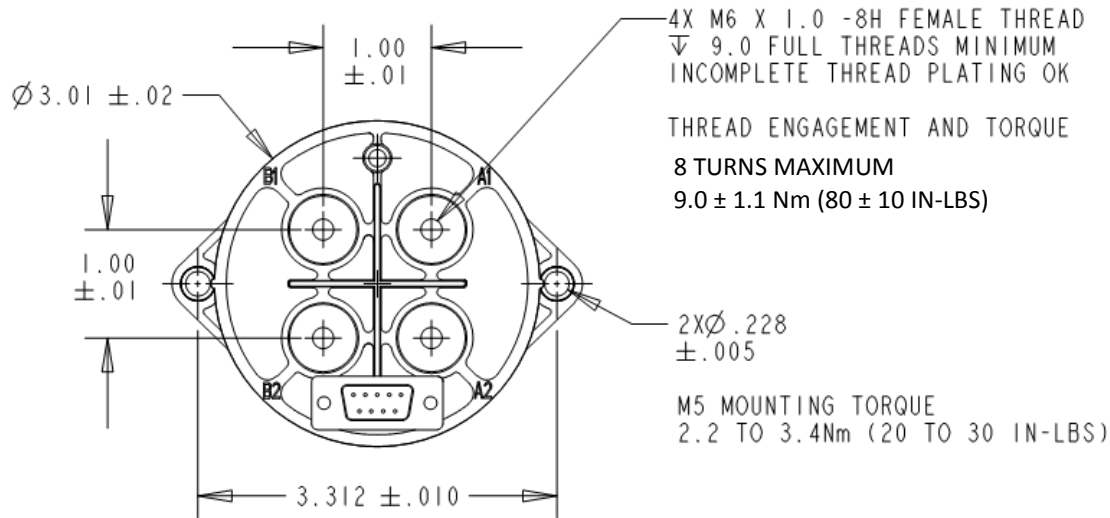
Part Numbering Reference

TYPICAL PART NUMBER	EV202	M	S	B	F	D
Series: EV202 = 2 form X, DPST-NO-DM Contactor						
Auxiliary Contact Outputs (SPDT form C): A = None, M = Two						
Coil Voltage: S = 24V; V = 12V (with built in electronically switched dual coil economizer)						
Coil and Aux Wire Length (inches): A = 15.3, B = 6, X = Customer specified configuration						
Coil and Aux Connector: N = none, F = "D" Plug on flying leads (may affect wire length)						
Mounting and Power Terminals D = 2X M5 Bottom Mount with 4X, M6 X 1 Female thread terminals						

	CUSTOMER DRAWING				
	SD-	EV202			
THIRD ANGLE PROJECTION 	THIS DRAWING PREPARED IN ACCORDANCE WITH ANSI/ASME Y14.5M-1982	CAGE CODE 18741	SCALE NONE	SHEET 4 of 6	

Part Drawing

EV202MSBFD shown for example.
Other versions may have different connectors or flying leads.

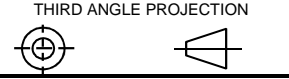


Dimensions in Inches
Tolerances (except as noted)
.xx = $\pm .03$
.xxx = $\pm .010$
 $\angle x^\circ = \pm 5^\circ$



CUSTOMER DRAWING

SD- EV202



THIS DRAWING PREPARED IN ACCORDANCE WITH ANSI/ASME Y14.5M-1982

CAGE CODE 18741

SCALE NONE

SHEET 5 of 6

Rev.
B

Revisions

REV.	DESCRIPTION	DCO#	DATE	APP.
1	Preliminary Release	16255	01/05/15	D. Lewis
A	Release to Production	16334	11/12/15	D. Lewis
B	Add RoHS compliance, edit note 5.	16370	9/12/16	J.Reyes



CUSTOMER DRAWING

SD-

EV202

THIRD ANGLE PROJECTION



THIS DRAWING
PREPARED IN
ACCORDANCE WITH
ANSI/ASME Y14.5M-1982

CAGE CODE
18741

SCALE
NONE

SHEET
6 of 6

X-ON Electronics

Largest Supplier of Electrical and Electronic Components

Click to view similar products for [Industrial Relays](#) category:

Click to view products by [TE Connectivity](#) manufacturer:

Other Similar products are found below :

[6-1617801-8](#) [6-1618107-9](#) [7-1618273-3](#) [EV250-4A-02](#) [EV250-6A-01](#) [FCA-125-CX8](#) [FCA-325-159](#) [FCA-410-138](#) [8000-S3121](#) [8-1618273-6](#)
[8-1618393-1](#) [GCA63A220VAC60HZ](#) [GCA63A277VAC60HZ](#) [GCA63A600VAC60HZ](#) [1-1672275-3](#) [1-1833005-4](#) [H-16/S1](#) [A711Z](#) [H-8C](#)
[H-8/S11](#) [H-8/S68](#) [ACC530U20](#) [ACC730U30](#) [RF303ZM4-12](#) [DH18DA](#) [1423675-8](#) [AR4-15F13-C01](#) [AR7-41F11](#) [AVR907](#) [15732A200](#)
[B07B032AC1-0329](#) [B329](#) [B490A](#) [1618279-1](#) [BHR124Y](#) [1810DDB-SX](#) [N417](#) [P30C42A12D1-120](#) [2-1617748-6](#) [2-1618375-1](#) [2-1618396-6](#)
[2-1618398-1](#) [JMAPD-5XL](#) [JMGACD-5M](#) [JMGSC-5LW](#) [JMGSCD-5L](#) [PBO-18A1218](#) [PBO-40A3040](#) [K8DSPH1200480VAC](#) [KA-3C-12A](#)