

4

3

2

1

THIS DRAWING IS UNPUBLISHED.

RELEASED FOR PUBLICATION

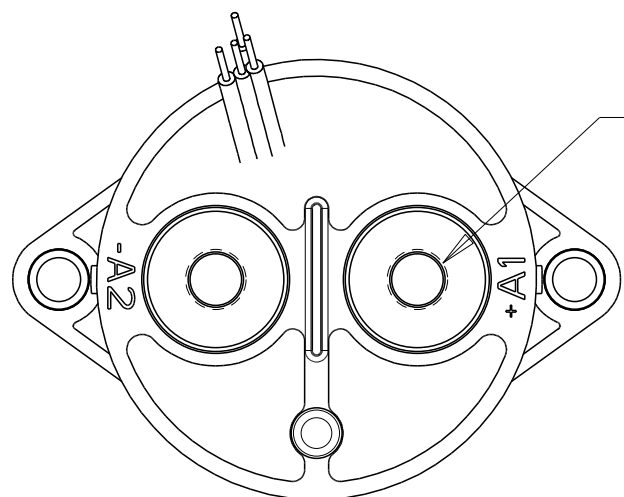
2018

© COPYRIGHT 2018 TE CONNECTIVITY

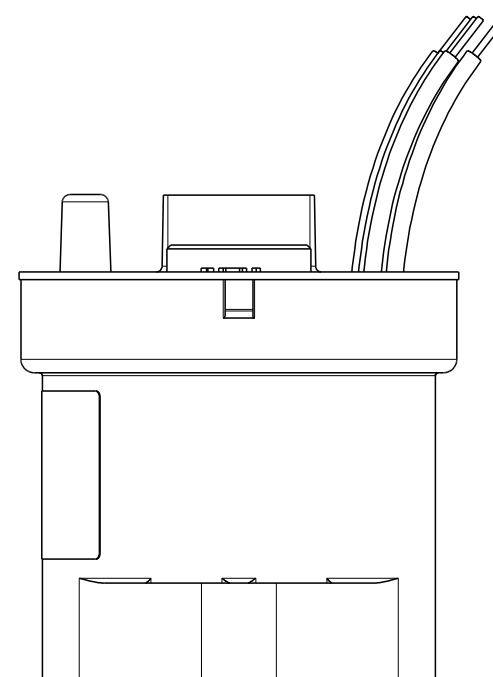
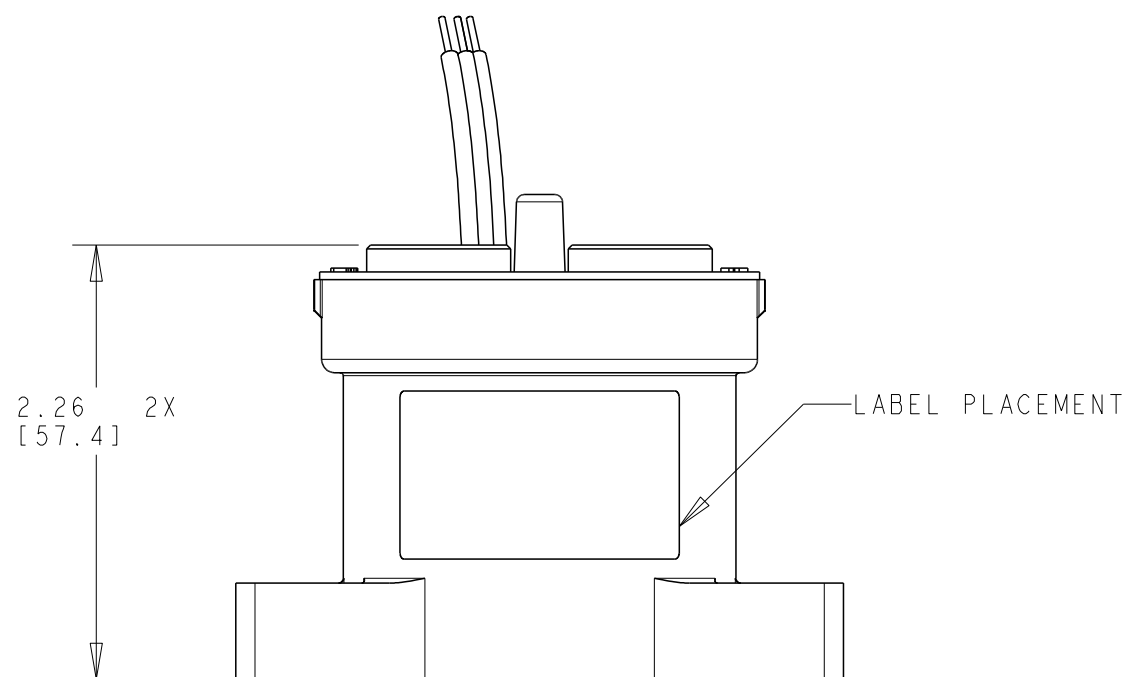
ALL RIGHTS RESERVED.

REVISIONS

P	LTR	DESCRIPTION	DATE	DWN	APVD
	1	DEV	03APR2018	MP	MP
	A	RELEASE TO PRODUCTION	10MAY2019	MP	MP



M8 X 1.25 D5 5H (2X)  
 6 FULL THREADS MIN  
 TORQUE HARDWARE (NOT SUPPLIED)  
 100 IN-LBS (11.3 NM) MAX



- CONTROL WIRES (15" NOMINAL LENGTH):  
 RED = +VDC  
 BLACK = RETURN  
 WHITE = (2 EA.) AUX COM-NO  
 ALL WIRE RAYCHEM FLHTC6009-22, 1KV RATED
- CLOSE CONTACTS WITH STEP VOLTAGE APPLIED TO +VDC AND RETURN
- METRIC DIMENSIONS FOR REF ONLY
- WEIGHT 500 GRAMS MAX
- SEE PRODUCT DATA SHEET FOR PERFORMANCE SPECIFICATIONS

THIS DRAWING IS A CONTROLLED DOCUMENT.		DWN MP	03APR2018		
DIMENSIONS: INCH		CHK MP	04APR2018		
TOLERANCES UNLESS OTHERWISE SPECIFIED:		APVD MP	04APR2018	NAME CONTACTOR, SPST-NO KILOVAC EV600 SERIES	
		PRODUCT SPEC		RESTRICTED TO	
0 PLC ±- 1 PLC ± 2 PLC ±.03 3 PLC ±.010 4 PLC ± ANGLES ±-		APPLICATION SPEC		SIZE A3	
MATERIAL		WEIGHT		CAGE CODE 18741	
-		-		DRAWING NO C=EV600_SERIES	
-		FINISH		SCALE 1:1	
		CUSTOMER DRAWING		SHEET 1 OF 1	
				REV A	

D

C

B

A

## X-ON Electronics

Largest Supplier of Electrical and Electronic Components

*Click to view similar products for* [Contactors - Electromechanical category:](#)

*Click to view products by* [TE Connectivity manufacturer:](#)

Other Similar products are found below :

[6-1618400-7](#) [686-117111](#) [686-120111](#) [686-924](#) [686-948](#) [70-901](#) [70-914](#) [MB-3D-6](#) [MC-22A/4-AC120V](#) [8-1616943-9](#) [8-1672124-5](#)  
[A40-30-10-84](#) [120-905](#) [A701U](#) [120-904](#) [1393132-9](#) [154-905](#) [154-912](#) [154-913](#) [154-915](#) [154-902](#) [154-910](#) [AVR743D](#) [B6-40-00-84](#) [B7-40-00-84](#) [1616017-5](#) [1616021-1](#) [MVDILM](#) [HP-11D-24](#) [P25-E5019-1](#) [P30C47A12D1-120](#) [P40C47A12D1-120](#) [P40P47D13P1-24-01](#) [CA7-12-10-240](#) [CA7-72-00-24Z](#) [90-162](#) [9-1393132-2](#) [2NC4F0222](#) [A275KXXV2-120VAC](#) [ACC338UMM20](#) [AF80-30-11-13](#) [SZ-B1](#) [CGC-9A-120](#) [3GC2H0M22](#) [3NC0T0A22](#) [3NC1Q0A22](#) [3NC2H0A22](#) [3NC2T0122/SE](#) [3TF3400-0BB4](#) [MC-12B-DC24V](#)