

REVISIONS					
P	LTR	DESCRIPTION	DATE	DWN	APVD
	3	PRODUCTION ISSUE	05FEB2019	PNT	MT

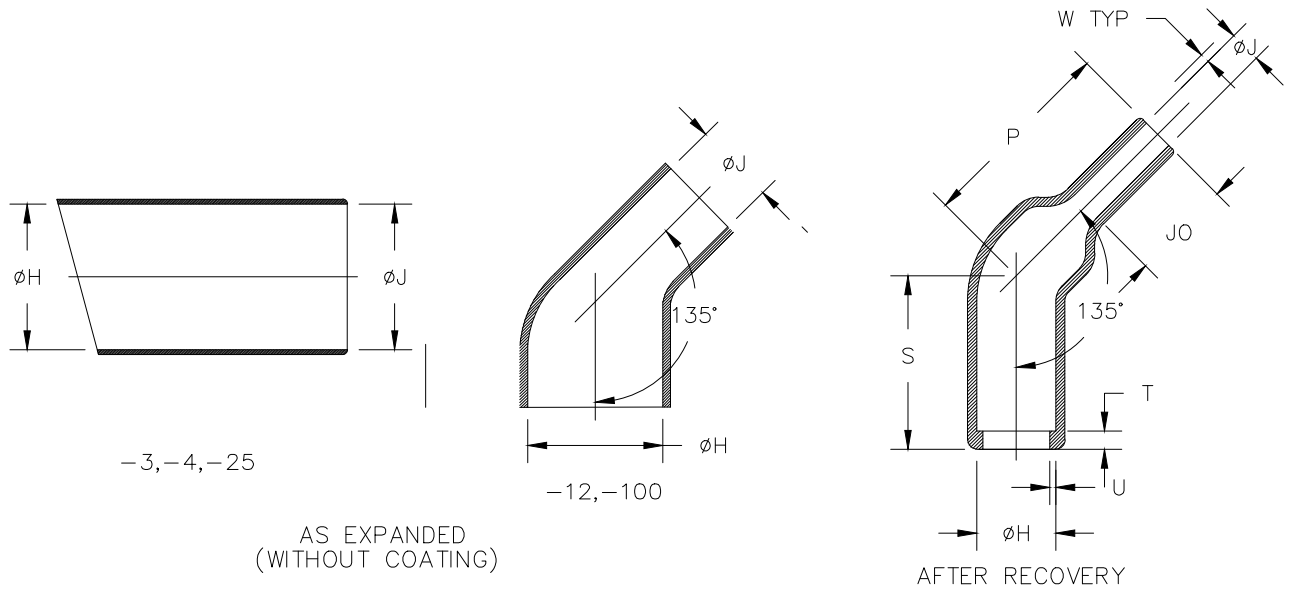


TABLE 1: FOR -3,-4,-25

PART DESCRIPTION	H		J		P	S	T	U	JO	W
	MIN a	MAX b	MIN a	MAX b	±10% b	±10% b	±10% b	±10% b	±10% b	±20% b
242W042	31 [1.22]	17.9 [0.70]	31 [1.22]	7.0 [0.28]	55 [2.17]	35 [1.38]	3.5 [0.14]	2.0 [0.08]	25 [0.98]	1.8 [0.07]
242W053	36 [1.42]	22.1 [0.87]	36 [1.42]	8.4 [0.33]	60 [2.36]	40 [1.57]	3.5 [0.14]	2.0 [0.08]	30 [1.18]	2.0 [0.08]
242W063	43 [1.69]	27.9 [1.10]	43 [1.69]	9.9 [0.39]	65 [2.56]	45 [1.77]	3.5 [0.14]	2.0 [0.08]	35 [1.38]	2.2 [0.09]

TABLE 1: FOR -12,-100 MATERIAL

PART DESCRIPTION	H		J		P	S	T	U	JO	W
	MIN a	MAX b	MIN a	MAX b	±10% b	±10% b	±10% b	±10% b	±10% b	±20% b
242W042	31 [1.22]	17.9 [0.70]	18 [0.71]	7.0 [0.28]	55 [2.17]	35 [1.38]	3.5 [0.14]	2.0 [0.08]	25 [0.98]	1.8 [0.07]
242W053	36 [1.42]	22.1 [0.87]	21 [0.83]	8.4 [0.33]	60 [2.36]	40 [1.57]	3.5 [0.14]	2.0 [0.08]	30 [1.18]	2.0 [0.08]
242W063	43 [1.69]	27.9 [1.10]	25 [0.98]	9.9 [0.39]	65 [2.56]	45 [1.77]	3.5 [0.14]	2.0 [0.08]	35 [1.38]	2.2 [0.09]

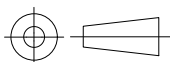
RELEASED FOR PUBLICATION

ALL RIGHTS RESERVED.

THIS DRAWING IS UNPUBLISHED.

© COPYRIGHT - TE Connectivity Ltd.

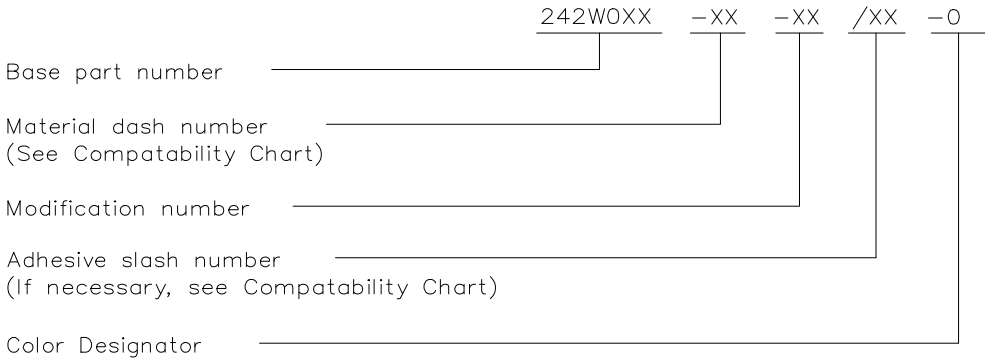
DIMENSIONS: mm [INCHES]	DWN PRAVEEN N T	05FEB2019	MATERIAL SEE SHEET 2	FINISH -		
	CHK N NAGAR	05FEB2019	TE Connectivity Ltd.			
TOLERANCES UNLESS OTHERWISE SPECIFIED:	APVD M TAYLOR	05FEB2019			NAME BOOT, 135 DEGREES WITH LIP	
0 PLC ± -	PRODUCT SPEC	-	SIZE	CAGE CODE	DRAWING NO	RESTRICTED TO
1 PLC ± -	-	-	A4	00779	C-242W0XX-XX-0	-
2 PLC ± -	APPLICATION SPEC	-	CUSTOMER DRAWING			SCALE
3 PLC ± -	-	-	DNS			SHEET
4 PLC ± -	WEIGHT	-	1 OF 2			REV
ANGLES ± -	-	-	3			-



REVISIONS				
P	LTR	DESCRIPTION	DATE	APVD
	-	SEE SHEET 1	-	-

COMPATABILITY CHART				
MATERIAL DASH NO.	MATERIAL DESCRIPTION	RT SPEC	COATING SLASH NO.	COATING S NO.
-3	Polyolefin, Semi-rigid	RT-301	/42;/86;/180	S1017;S1048;S1030
-4	Polyolefin, Flexible	RT-1304	/42;/86;/180	S1017;S1048;S1030
-12	Fluoroelastomer, Flexible	RT-1312	N/A	N/A
-25	Elastomer, Fluid Resistant	RW-2070	/42;/86;/225	S1017;S1048;S1206
-100	Polyolefin, semi-flexible Zerohal	RW-2082	/86; /180	S1048; S1030

ORDERING INFORMATION



NOTE


- 1) AS SUPPLIED DIMENSIONS ARE FOR UNCOATED PARTS, WHEN COATING IS ADDED ENTRY DIAMETERS WILL REDUCE BY 1.5MM[.06] MAX.
- 2) S1030(/180 EQUIVALENT) WILL BE SUPPLIED AS CS-1972 (S1030 TAPE IN THE BAG) (I.E 242W042-100-CS-1972-0) OR AS /180 IF REQUIRED
- 3) ZEROHAL IS TRADEMARK OF TYCO ELECTRONICS

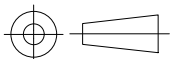
RELEASED FOR PUBLICATION

ALL RIGHTS RESERVED.

© COPYRIGHT - TE Connectivity Ltd.

THIS DRAWING IS UNPUBLISHED.

DIMENSIONS: mm [INCHES]	DWN PRAVEEN N T	05FEB2019	MATERIAL SEE SHEET 2	FINISH -
	CHK N NAGAR	05FEB2019	 TE Connectivity Ltd.	
TOLERANCES UNLESS OTHERWISE SPECIFIED:	APVD M TAYLOR	05FEB2019		
0 PLC ± -	PRODUCT SPEC	-	NAME BOOT, 135 DEGREES WITH LIP	
1 PLC ± -	APPLICATION SPEC	-	SIZE A4	CAGE CODE 00779
2 PLC ± -	WEIGHT	-	DRAWING NO C-242W0XX-XX-0	RESTRICTED TO -
3 PLC ± -			SCALE DNS	
4 PLC ± -			SHEET 2 OF 2	
ANGLES ± -			REV 3	
CUSTOMER DRAWING				



## X-ON Electronics

Largest Supplier of Electrical and Electronic Components

*Click to view similar products for [Cable Boots](#) category:*

*Click to view products by [TE Connectivity](#) manufacturer:*

Other Similar products are found below :

[618235-000](#) [622A014-3-0](#) [CX4132-000](#) [879515-000](#) [982033-2](#) [R280576000](#) [1300830729](#) [EN3BOOTLKIT](#) [MTPSRBCL-C](#) [1811481-1](#)  
[200W531-3-0](#) [202A121-386-0](#) [202A142-4-00/42-0](#) [202A163-4-0-CS5067](#) [202B221-13-0](#) [202B231-13-0](#) [202B563-25-07-0](#)  
[202C621710CS5361](#) [202D132-4-07/42-0](#) [202D221-4-0-CS5349](#) [202D221-4-26-0](#) [202D263-25-08-0](#) [202D263-4-22/42-0](#) [202D263-4-88-0](#)  
[202D921-2542-0](#) [202E336-71-0](#) [202F211-50-22-0-CS8474](#) [202F242-50-05-0](#) [202F242-51-04/164-0](#) [202K121-25-CS-1858-0](#) [202K121-25-](#)  
[CS-2062-0](#) [202K132-25-01/225-0CS8387](#) [202K153-3-0186-0](#) [202S132-25-UP-0](#) [203W301-3/42-0](#) [207W613-100/184-0-CS5657](#) [207W623-](#)  
[100-01/184-0](#) [207W634-100/184-0-CS5657](#) [207W656-100-01/184-0](#) [207W667-100-01/184-0](#) [207W667-100/184-0](#) [208A011-3-0](#) [208A021-3-](#)  
[0](#) [221A011-51164-0-CS7133](#) [222A121-2586](#) [222A152-342-0](#) [222A213-25-0-CS5613](#) [222D221-25-13/86-0](#) [222D232-4-61-0-CS5078](#)  
[222D253-100-22-0](#)