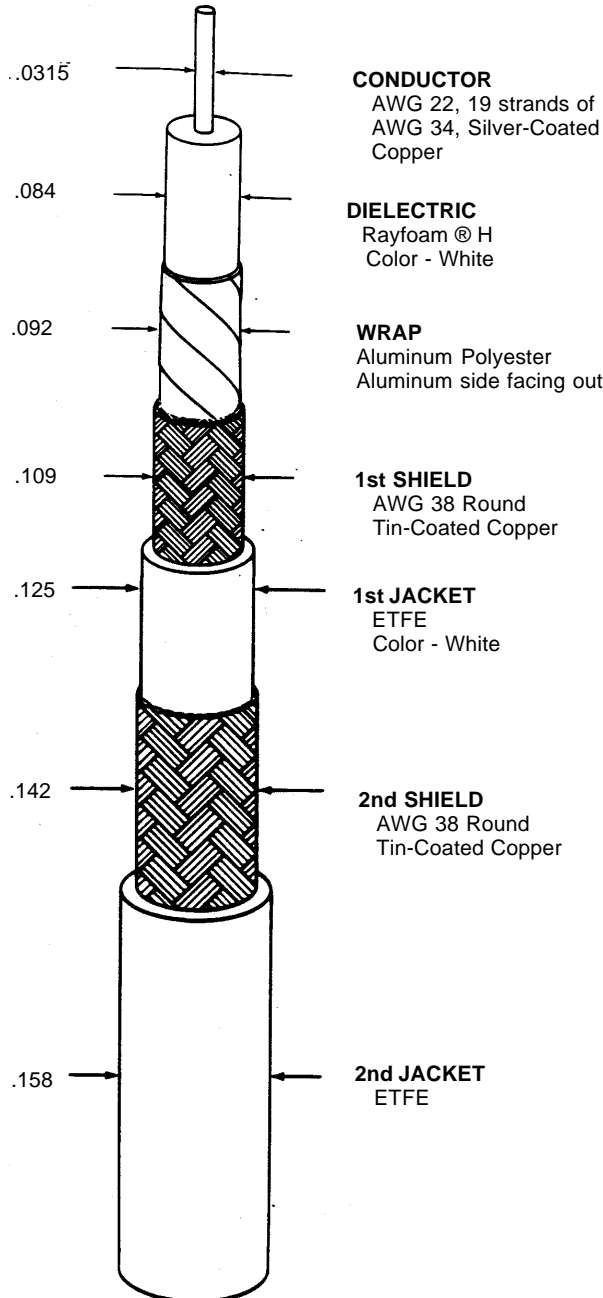


CONSTRUCTION DETAILS

ELECTRICAL CHARACTERISTICS

DIMENSIONS ARE NOMINAL VALUES IN INCHES UNLESS OTHERWISE DESIGNATED.



CHARACTERISTIC IMPEDANCE	50 ± 2 ohms, Method A
CAPACITANCE	26.0 pF/ft. (nominal)
VELOCITY OF PROPAGATION	78% (nominal)
ATTENUATION	2.0 dB/100 ft (nominal) at 10 MHz

ADDITIONAL REQUIREMENTS

ELECTRICAL

CONDUCTOR RESISTANCE	14.4 ohms/1000 ft. (nominal)
INSULATION RESISTANCE (CONDUCTOR TO SHIELD)	10,000 megohms (minimum) for 1000 ft.
JACKET FLAWS	
SPARK TEST	1.0 kV (rms)
IMPULSE TEST	6.0 kV (peak)
VOLTAGE WITHSTAND (DIELECTRIC)	
CONDUCTOR TO SHIELD	1000 volts (rms) (minimum)
SHIELD TO SHIELD	500 volts (rms) (minimum)

ENVIRONMENTAL

FLAMMABILITY	Method B
LOW TEMPERATURE-COLD BEND	-55°C/4.25 inch mandrel
VOLTAGE WITHSTAND (POST ENVIRONMENTAL)	1000 volts (rms), 1 minute

PHYSICAL

INSULATION (DIELECTRIC)	
ELONGATION	50% (minimum)
TENSILE STRENGTH	600 lbf/in ² (minimum)
JACKET (EACH)	
ELONGATION	150% (minimum)
TENSILE STRENGTH	5000 lbf/in ² (minimum)
JACKET THICKNESS (EACH)	.008 inch (nominal)
SHIELD COVERAGE (EACH)	90% (minimum)

WEIGHT	23.1 lbs/1000 ft. (nominal)
--------	-----------------------------

Outer jacket color will be white (designated by a "-9" appended to the part number, e.g. 5022N5522-9) unless otherwise specified.

Designate outer jacket color with a dash number in accordance with MIL-STD-681. Other codes and suffixes may be added to the part number, as necessary, to capture any additional requirements imposed by the purchase order.

Users should evaluate the suitability of this product for their application. Specifications are subject to change without notice.

Tyco Electronics also reserves the right to make changes in materials or processing, which do not affect compliance with any specification, without notification to Buyer.

FOR EMBRAER INFORMATION ONLY

Minimum Bend Radius (for non-flexing applications only): 5x the finished cable diameter

Note: If wrinkling occurs on inside of bend, cable should be replaced.

X-ON Electronics

Largest Supplier of Electrical and Electronic Components

Click to view similar products for [Coaxial Cables](#) category:

Click to view products by [TE Connectivity](#) manufacturer:

Other Similar products are found below :

[89880-003-1000](#) [89913-010-1000](#) [633938-009-U1000](#) [633948-877-1000](#) [639948-877-1000](#) [643948-877-U1000](#) [CY2389-000](#) [8213-010-1000](#)
[8221-010-U1000](#) [8233-010-1000](#) [88281-010-500](#) [1322R-010-1000](#) [1505A-N3U-1000](#) [1523AP-010-1000](#) [1807A-B59-U1000](#) [9167-010-1000](#)
[9251-010-1000](#) [9275-010-U1000](#) [935240-000](#) [9659-010-1000](#) [980704-001](#) [1855P-010-1000](#) [CF2823-000](#) [33312-010-500](#) [CY2581-000](#)
[CY2582-000](#) [CZ1589-000](#) [5022W0809-0CS3263](#) [10610-4-4](#) [EF8108-000](#) [6139B8-009-1000](#) [613948-009-1000](#) [1673B TIN100](#) [633938-877-](#)
[U1000](#) [672525-001](#) [1530AP-877-1000](#) [144517-000](#) [1369R-010-1000](#) [134655-000](#) [8-1616396-1](#) [8263-010-U1000](#) [8263 010U500](#) [480414-](#)
[000](#) [8262 010U1000](#) [7915A 009U1000](#) [5024A1311-0](#) [TRC-75-1](#) [1281S5 010250](#) [1281S5 000250](#) [1530A 010U1000](#)