



PVF

TE Internal #: F47580-000

PVF, Standard Labels, Self-Laminating, Die-Cut Label Style, Permanent Pressure Sensitive Acrylic Adhesive, UL Listed No, Width 50.8 mm [2 in]

[View on TE.com >](#)

Identification & Labeling > Labels > Standard Labels > PVF SELF LAMINATING PVF LABELS



Label Type: **Self-Laminating**

Label Style: **Die-Cut**

Label Adhesive Type: **Permanent Pressure Sensitive Acrylic Adhesive**

UL Listed: **No**

Label Width: **50.8 mm [2 in]**

[All PVF SELF LAMINATING PVF LABELS \(12\)](#)

Features

Product Type Features

Printable Label Height	12.7 mm[.5 in]
Label Type	Self-Laminating

Dimensions

Compatible Cable Diameter (Min)	4 mm[.159 in]
Compatible Cable Diameter (Max)	7.6 mm[.298 in]

Usage Conditions

Operating Temperature Range	-40 – 107 °C[-40 – 225 °F]
-----------------------------	----------------------------

Printer/Label Features

Number of Labels Across	2
Recommended Printer Ribbon	See Printer Ribbon Matrix
Label Style	Die-Cut
Label Width	50.8 mm[2 in]
Label Height	36.5 mm[1.473 in]
Label Material	Polyvinyl Fluoride (PVF)
Label Thickness	51 Micron

Industry Standards



UL Listed	No
-----------	----

Packaging Features

Packaging Quantity	2500
Packaging Method	Roll

Other

Label Adhesive Type	Permanent Pressure Sensitive Acrylic Adhesive
---------------------	---

Product Compliance

[For compliance documentation, visit the product page on TE.com>](#)

EU RoHS Directive 2011/65/EU	Compliant
EU ELV Directive 2000/53/EC	Compliant
China RoHS 2 Directive MIIT Order No 32, 2016	No Restricted Materials Above Threshold
EU REACH Regulation (EC) No. 1907/2006	Current ECHA Candidate List: JUL 2021 (219) Candidate List Declared Against: JUL 2021 (219) Does not contain REACH SVHC
Halogen Content	Not Low Halogen - contains Br or Cl > 900 ppm.
Solder Process Capability	Not applicable for solder process capability

Product Compliance Disclaimer

This information is provided based on reasonable inquiry of our suppliers and represents our current actual knowledge based on the information they provided. This information is subject to change. The part numbers that TE has identified as EU RoHS compliant have a maximum concentration of 0.1% by weight in homogenous materials for lead, hexavalent chromium, mercury, PBB, PBDE, DBP, BBP, DEHP, DIBP, and 0.01% for cadmium, or qualify for an exemption to these limits as defined in the Annexes of Directive 2011/65/EU (RoHS2). Finished electrical and electronic equipment products will be CE marked as required by Directive 2011/65/EU. Components may not be CE marked. Additionally, the part numbers that TE has identified as EU ELV compliant have a maximum concentration of 0.1% by weight in homogenous materials for lead, hexavalent chromium, and mercury, and 0.01% for cadmium, or qualify for an exemption to these limits as defined in the Annexes of Directive 2000/53/EC (ELV). Regarding the REACH Regulation, the information TE provides on SVHC in articles for this part number is based on the latest European Chemicals Agency (ECHA) 'Guidance on requirements for substances in articles' posted at this URL: <https://echa.europa.eu/guidance-documents/guidance-on-reach>

Compatible Parts



TE Part # 1-2186500-1
T3212-PRINTER



TE Part # 1-2186503-1
T3224-SWARE-PRINTER



TE Part # 1-2186501-1
T3212-SWARE-PRINTER



TE Part # 1-2186502-1
T3224-PRINTER

Also in the Series | PVF



Standard Labels(12)

Customers Also Bought



TE Part #2-1617031-0
HFW1201K45 = M39016/6-109L



TE Part #YDTS20F21-41SEV001
RECP ASSY



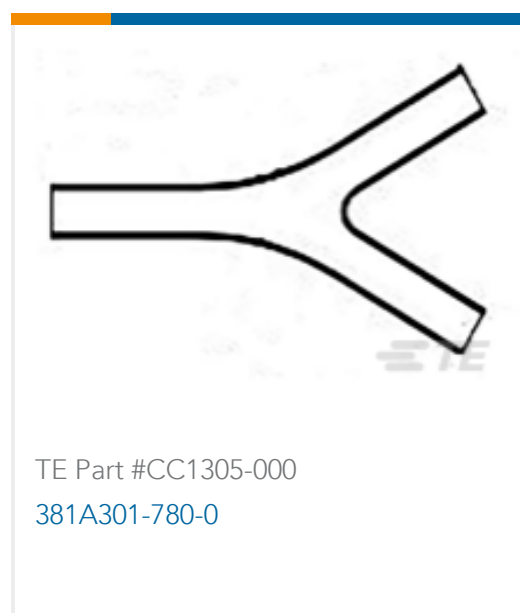
TE Part #F38290-000
RT-780-5/8-0-SP



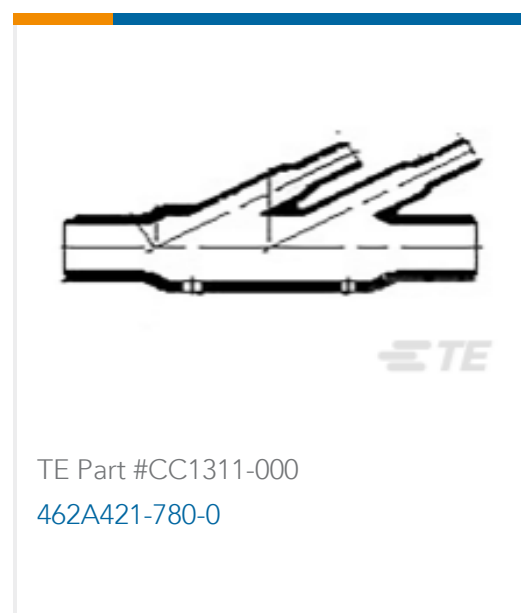
TE Part #5070092027
RNF-100-3/4-X-STK



TE Part #624037-000
D-101-34



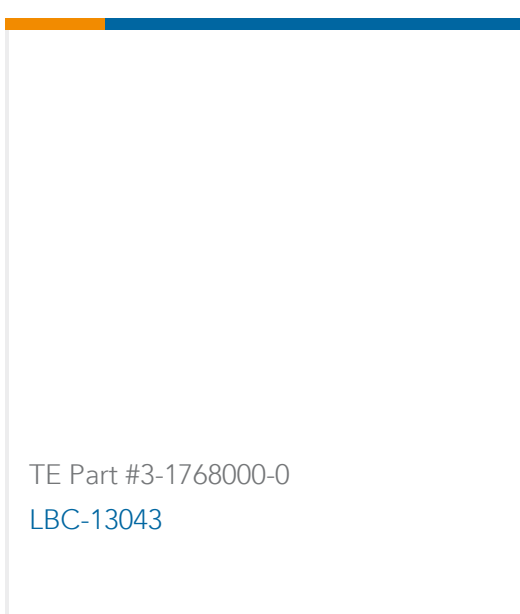
TE Part #CC1305-000
381A301-780-0



TE Part #CC1311-000
462A421-780-0



TE Part #1-1617162-7
J1MAPT-5XP = M28776/5-019P



TE Part #3-1768000-0
LBC-13043



Documents

Product Drawings

[PVF200143WE2.5](#)

English

Datasheets & Catalog Pages

[IDENTIFICATION SELECTION GUIDE](#)

English

[PVF Technical Datasheet](#)

English

Product Specifications

[IDENTIFICATION PRINTER PRODUCT RIBBON MATRIX](#)

English

X-ON Electronics

Largest Supplier of Electrical and Electronic Components

Click to view similar products for [Labels and Industrial Warning Signs](#) category:

Click to view products by [TE Connectivity](#) manufacturer:

Other Similar products are found below :

[ESSW30-025](#) [FTP-020P0704](#) [QC101](#) [QC105](#) [QCC613](#) [QCC615](#) [132465](#) [142810](#) [15288](#) [15425](#) [18511](#) [HTS795-1](#) [30288](#) [1768021-2](#) [18432](#)
[1878679-3](#) [2-1878614-6](#) [PTL-31-427-YL](#) [30239](#) [QC154](#) [QCC612](#) [30545](#) [35070](#) [WM-15-PK](#) [WM-20-PK](#) [5-1768021-6](#) [06770](#) [11197](#)
[111852](#) [111932](#) [KMT-02513V-9](#) [06742](#) [8-1768039-4](#) [1878983-4](#) [B422](#) [25X85MM](#) [PAXLBK10](#) [LAT-52-361-1](#) [PTL-20-486](#) [PTL-38-486](#)
[PTLFT-01-425](#) [13903](#) [11237](#) [18389](#) [18341](#) [18603](#) [29904](#) [18519](#) [18524](#) [115110](#) [11199](#)