



## FC23

### Compression Load Cell

#### SPECIFICATIONS

- 50 – 2000 lbf Ranges
- High Level or mV
- Interchangeable
- Compact Load Button Design
- Industry Standard Packaging
- CE Compliance

The **FC23** is a high compression force sensor that creates new markets previously unrealizable due to cost and performance constraints. The FC23 offers normalized zero and span for interchangeability and is thermally compensated for changes in zero and span with respect to temperature.

The FC23 incorporates MEAS' proprietary Microfused™ technology which employs micromachined silicon piezoresistive strain gages fused with high temperature glass to a high performance stainless steel substrate. Microfused™ technology eliminates age-sensitive organic epoxies used in traditional load cell designs providing excellent long-term span and zero stability. The FC23 measures direct force and is therefore not subject to lead-die fatigue failure common with competitive designs which use a pressure capsule embedded within a silicone gel-filled cavity. Operating at very low strains, Microfused™ technology provides an essentially unlimited cycle life expectancy, superior resolution, and high over-range capabilities.

The FC23 brings your OEM product to life whether you need thousands or millions of load cells annually. Although the standard model is ideal for a wide range of applications, our dedicated design team at our Load Cell Engineering Center is ready to provide you with custom designs for your OEM applications.

Please refer to models FS20 and FC22 for lower force applications.

#### FEATURES

- Interchangeable
- Low Noise
- Robust: High Over-Range Capability
- High Reliability
- Low Deflection
- Low Off Center Errors
- Fast Response Time
- Long Cycle Life Expectancy

#### APPLICATIONS

- Batch Weighing
- Robotics End-Effectors
- Variable Force Control
- Load and Compression Sensing
- Assembly Line Force Measurement
- Pumps
- Hoist and Winch Loads
- Weighing

## STANDARD RANGES

Range	lbf
0 to 0050	•
0 to 0100	•
0 to 0250	•
0 to 0500	•
0 to 1000	•
0 to 2000	•

## PERFORMANCE SPECIFICATIONS

Unless otherwise specified: Supply Voltage: 5.0V, Ambient Temperature: 25°C

PARAMETERS	MIN	TYP	MAX	UNITS	NOTES
Span (mV)	95	100	105	mV	1
Span (Amplified)	3.8	4.0	4.2	V	1
Zero Force Output (mV)	-20	0	20	mV	1
Zero Force Output (Amplified)	0.3	0.5	0.7	V	1
Accuracy (non-linearity, hysteresis, and repeatability)	-1		1	%Span	2
Input Resistance (mV)		3.0		kΩ	
Output Resistance (mV)		2.2		kΩ	
Temperature Error – Span (Amplified & mV)	-2.5	±1	2.5	%Span	3
Temperature Error – Zero (Amplified & mV)	-2.5	±1	2.5	%Span	3
Supply Voltage (mV)	2	5	10	V	1
Supply Voltage (Amplified)	4.5	5	5.5	V	1
Response Time (10% to 90%)		1.0		ms	
Long Term Stability (1 year)		±1		%Span	
Maximum Overload			2.5X	Rated	
Compensated Temperature	0		50	°C	
Operating Temperature	-40		+85	°C	
Storage Temperature	-40		+85	°C	
Isolation Resistance (250Vdc)	50			MΩ	
Deflection at Rated Load			0.05	mm	
Humidity	0		90	%RH	

For custom configurations, consult factory.

### Notes

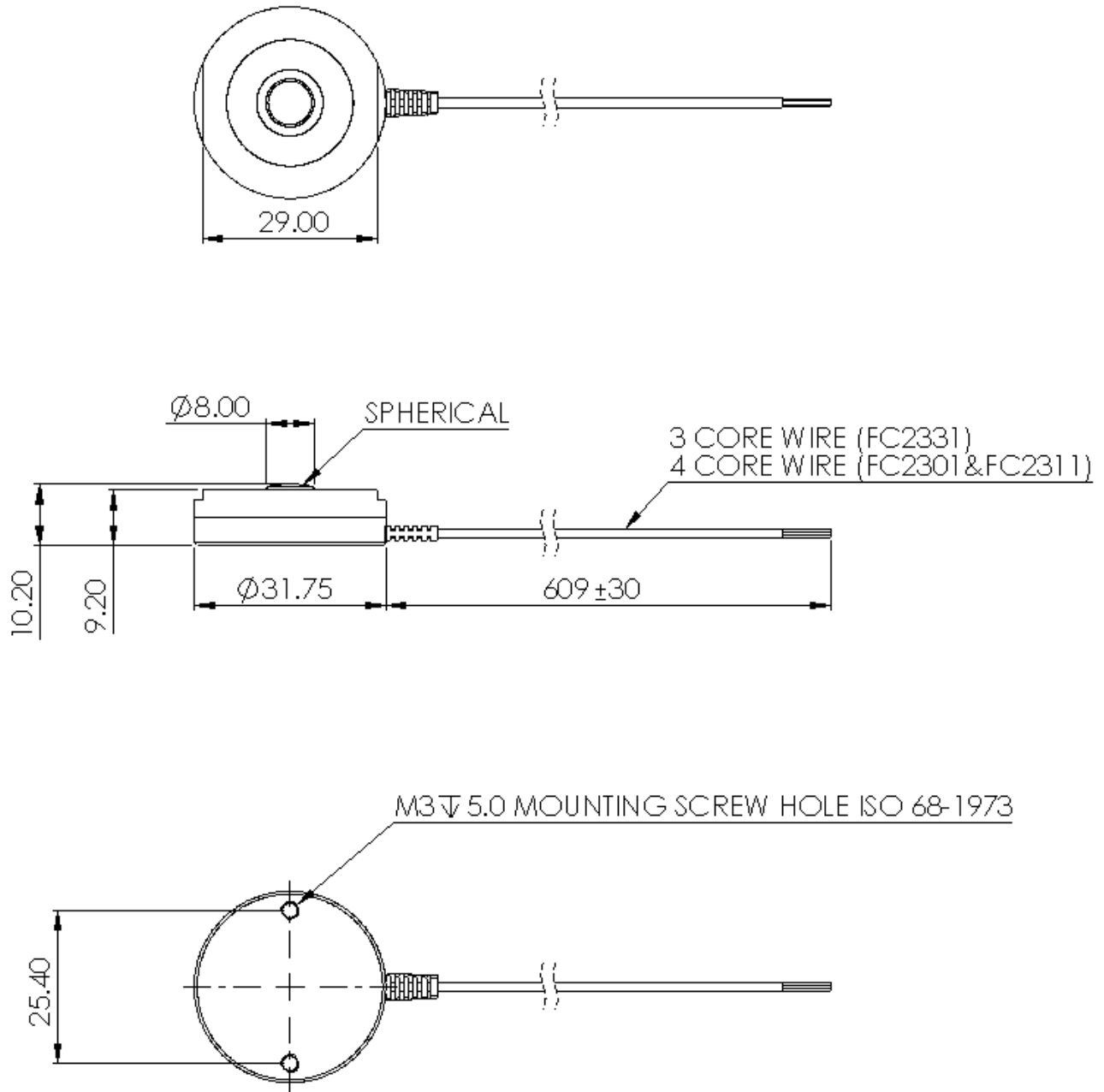
1. Ratiometric to supply.
2. Best fit straight line.
3. Maximum temperature error over compensated range with respect to 25°C.

## CE Compliance

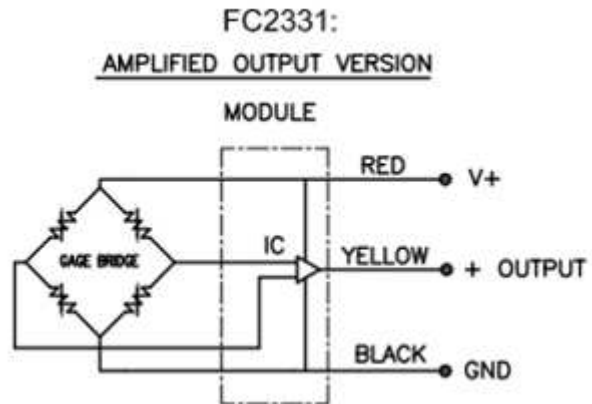
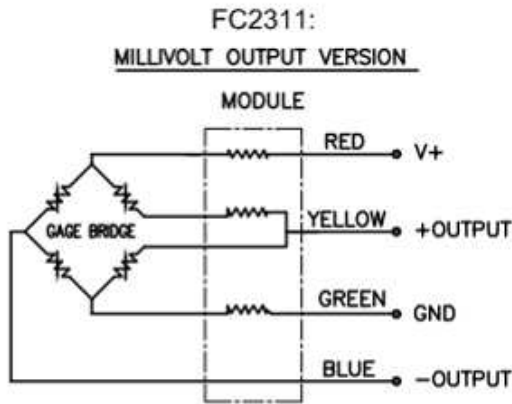
IEC61000-4-2: [4kV/ 4 kV (Air/Contact)]

IEC61000-4-3: (3 V/m)

**DIMENSIONS**

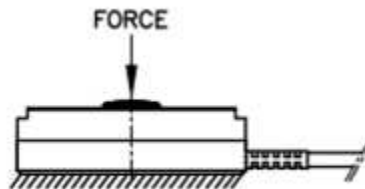


CONNECTIONS



WIRE NOTE:

P/N	WIRE CONNECTIONS
FC2311	4 CORE WIRE (AWG32 125°C, 300V)
	YELLOW: +OUTPUT
	BLUE: -OUTPUT
	RED: V+
	GREEN: GND
FC2331	3 CORE WIRE (AWG32 125°C, 300V)
	RED: V+
	YELLOW: +OUTPUT
	BLACK: GND



**ORDERING INFORMATION**

FC23 3 1 - 0000 - 0100 - N

Outputs	
1	20 mV/V
3	0.5 – 4.5 V

Connection	
1	2ft Cable

Type	
0000	Standard Production
SXXX	Special
XXXX	EWR Customize

Force Units	
L	Lbf
N	Newtons

Multiplier	
-	None
K	X1000

Force Range (L)	Force Range (N)
0050	0250
0100	0500
0250	1000
0500	2500
1000	5000
2000	0010 K (Multiplier)

**NORTH AMERICA**

Measurement Specialties, Inc.,  
a TE Connectivity company  
45738 Northport Loop West  
Fremont, CA 94538  
Tel: +1 800 767 1888  
Fax: +1 510 498 1578  
[customercare.frmnt@te.com](mailto:customercare.frmnt@te.com)

**TE.com/sensorsolutions**

Measurement Specialties, Inc., a TE Connectivity company.

Measurement Specialties, TE Connectivity, TE Connectivity (logo) and EVERY CONNECTION COUNTS are trademarks. All other logos, products and/or company names referred to herein might be trademarks of their respective owners.

The information given herein, including drawings, illustrations and schematics which are intended for illustration purposes only, is believed to be reliable. However, TE Connectivity makes no warranties as to its accuracy or completeness and disclaims any liability in connection with its use. TE Connectivity's obligations shall only be as set forth in TE Connectivity's Standard Terms and Conditions of Sale for this product and in no case will TE Connectivity be liable for any incidental, indirect or consequential damages arising out of the sale, resale, use or misuse of the product. Users of TE Connectivity products should make their own evaluation to determine the suitability of each such product for the specific application.

© 2015 TE Connectivity Ltd. family of companies All Rights Reserved.

**EUROPE**

MEAS France SAS,  
a TE Connectivity company  
26 Rue des Dames  
78340 Les Clayes-sous-Bois, France  
Tel: +33 (0) 130 79 33 00  
Fax: +33 (0) 134 81 03 59  
[customercare.lcsb@te.com](mailto:customercare.lcsb@te.com)

**ASIA**

Measurement Specialties (China) Ltd.,  
a TE Connectivity company  
No. 26 Langshan Road  
Shenzhen High-Tech Park (North) Nanshan District,  
Shenzhen, 518057  
China  
Tel: +86 755 3330 5088  
Fax: +86 755 3330 5099  
[customercare.shzn@te.com](mailto:customercare.shzn@te.com)

## X-ON Electronics

Largest Supplier of Electrical and Electronic Components

*Click to view similar products for [Force Sensors & Load Cells](#) category:*

*Click to view products by [TE Connectivity](#) manufacturer:*

Other Similar products are found below :

[FC2311-0000-1000-L](#) [ELAF-50N-TS0011](#) [3397-300](#) [060-1436-10-02](#) [060-1436-09-02](#) [060-0571-04-09](#) [FN3030-A1-100N](#) [060-7472-01](#)  
[FC2311-0000-0250-L](#) [FC2311-0000-2000-L](#) [FX1901-0001-0025-L](#) [FX1901-0001-0100-L](#) [VBS020601](#) [VBS020701](#) [MF01-N-221-A04](#)  
[FS2050-0000-1500-G](#) [FX1900-0000-0025-L](#) [FX1901-0001-0050-L](#) [4543](#) [MF01A-N-221-A01](#) [MF01A-N-221-A03](#) [MF01A-N-221-A04](#)  
[MF01-N-220-A01](#) [MF22-N-000-A01](#) [HSFPAR003A](#) [3173-1K](#) [FMAMSDXX005WC2C3](#) [FMAMSDXX015WC2C3](#)  
[FMAMSDXX025WCSC3](#) [FS01](#) [FS03](#) [FSAGPDXX001RCAB5](#) [FSAGPDXX010WCAA5](#) [FSAGPNXX001RC4C5](#) [FSAGPNXX1.5LCAC5](#)  
[FSG005WNPB](#) [FSG020WNPB](#) [FSG15N1A](#) [FSS005WNGR](#) [FSS005WNSB](#) [FSS010WNSB](#) [FSS005WNGB](#) [FSS015WNGB](#) [FSS020WNGR](#)  
[FSS020WNSB](#) [FSS1500NGT](#) [FSS1500NSB](#) [FSS1500NSR](#) [FSS1500NST](#) [FC23-1-1-0000-0500](#)