

MSD INC.

ENGINEERING DATA SHEET

RELAY TYPE: <b>FCA-215-HZ4</b>	COMPUTER PART No.: <b>9227615</b>	TEST PROCEDURE <b>MSDP-791</b>
CUST/SPEC	CATALOG ITEM	REV <b>N/A</b>

**TEST REQUIREMENTS**

COIL RES:  $\pm 10\%$  **320 OHMS** OPERATE TIME: **10ms MAX** RELEASE TIME: **10ms MAX**

CONTACT MAKE BOUNCE: **1ms MAX** N.O. BREAK BOUNCE: **0.1ms MAX**

CONTACT STABILIZATION TIME: **N/A** RATED COIL VOLTAGE: **28Vdc**

CONTACT RES.: MFG TEST: **8 Milliohms @ 10mA** FINAL TEST: **10 Milliohms @ 10mA**

CONTACT VOLTAGE DROP: FINAL TEST: **100mV @ 10A -6Vdc**

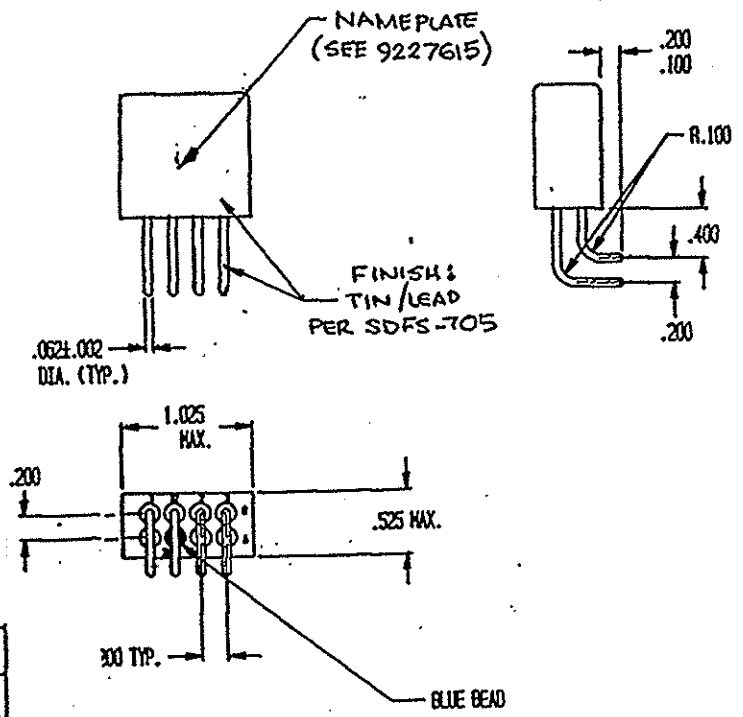
HI-POT: **1250Vrms** ALL POINTS, EXCEPT **1000Vrms** COIL TO CASE

INSULATION RESISTANCE: **100 MEGOHMS MIN @ 500Vdc**

VIBRATION: **N/A**

SEAL TEST:  $1 \times 10^{-8}$  MAX LEAK RATE COIL TRANSIENT SUPPRESSION: **42Vdc MAX**

OTHER: **\* SPECIAL CONTACT GAPS \***



Prepared By: <b>LES WYNNE</b> Date: <b>3-29-96</b>		Approved By: _____ Date: _____	
Rev	ECN No.	Date	
<b>A</b>	<b>96-065</b>	<b>3-29-96</b>	

SPECIAL INSTRUCTIONS

## X-ON Electronics

Largest Supplier of Electrical and Electronic Components

*Click to view similar products for [Industrial Relays](#) category:*

*Click to view products by [TE Connectivity](#) manufacturer:*

Other Similar products are found below :

[6-1617801-8](#) [6-1618107-9](#) [7-1618273-3](#) [EV250-4A-02](#) [EV250-6A-01](#) [FCA-125-CX8](#) [FCA-325-159](#) [FCA-410-138](#) [8000-S3121](#) [8-1618273-6](#)  
[8-1618393-1](#) [GCA63A220VAC60HZ](#) [GCA63A277VAC60HZ](#) [GCA63A600VAC60HZ](#) [1-1672275-3](#) [1-1833005-4](#) [H-16/S1](#) [A711Z](#) [H-8C](#)  
[H-8/S11](#) [H-8/S68](#) [ACC530U20](#) [ACC730U30](#) [RF303ZM4-12](#) [DH18DA](#) [1423675-8](#) [AR4-15F13-C01](#) [AR7-41F11](#) [AVR907](#) [15732A200](#)  
[B07B032AC1-0329](#) [B329](#) [B490A](#) [1618279-1](#) [BHR124Y](#) [1810DDB-SX](#) [N417](#) [P30C42A12D1-120](#) [2-1617748-6](#) [2-1618375-1](#) [2-1618396-6](#)  
[2-1618398-1](#) [JMAPD-5XL](#) [JMGACD-5M](#) [JMGSC-5LW](#) [JMGSCD-5L](#) [PBO-18A1218](#) [PBO-40A3040](#) [K8DSPH1200480VAC](#) [KA-3C-12A](#)