

## FCA-325 Series, 25 Amperes, 3PDT



### Product Facts

- Hermetically Sealed
- All Welded Construction
- Balanced Force
- Permanent Magnet Drive
- Contacts — Silver Cadmium Oxide with Gold Plating
- Coils for DC, 50 to 400Hz and 400Hz AC
- Weight 2.89 ounces max. (82 grams)
- Qualified to M83536/32, /33

The Series FCA-325 relay is a polarized single-side stable design, where the flux from a permanent magnet provides the armature holding force in the deactivated state, and its flux path is switched when combined with the coil flux in the operated state.

This results in appreciably increased contact pressure in both states over that of a spring return nonpolar design. We also manufacture other versions of this relay:

**FCA-125** — 25 Amp SPDT Relay

**FCAC-325** — 25 Ampere 3PST-NO Relay with 2 amp SPDT auxiliary

### General Specifications

**Temperature Rating** — -70°C TO + 125°C

**Altitude** — 300,000 Feet

**Shock\*** —

Z, Y, & V Enclosures —

200 g for 6 mS

W, X & M Enclosures —

100 g for 6 mS

**Vibration, Sinusoidal\*** —

Z, Y, & V Enclosures —

30 g 33-3000Hz

W, X & M Enclosures —

20 g 33-3000Hz

**Vibration, Random\*** —

Z, Y, & V Enclosures —

0.4 g<sup>2</sup>/Hz 50-2000Hz

W, X & M Enclosures —

0.2 g<sup>2</sup>/Hz 50-2000Hz

**Dielectric Strength** —

At Sea Level —

All circuits to ground and circuit to

circuit — 1250 V rms

Coil to ground — 1000 V rms

At 80,000 Feet — 350 V rms

**Insulation Resistance** —

Initial (500 VDC) — 100 MΩ Min.

After Life or Environmental Tests —

50 MΩ Min.

**Operate Time at Nominal**

**Voltage** —

DC Relays — 15 ms or less

AC Relays — 20 ms or less

**Release Time at Nominal**

**Voltage** —

DC Relays — 15 ms or less

AC Relays — 50 ms or less

\* Max. contact opening under vibration or shock 10 microseconds

### Contact Rating — Amperes Ratings Are Continuous Duty

Type of Load	Life (Min.) Cycles x 10 <sup>3</sup>	28 VDC	115VAC 400Hz	115/200VAC	
				400Hz-3Ø	60Hz-3Ø*
Resistive	50	25	25	25	2.5
Inductive	10	12	—	—	2.5
Inductive	20	—	15	15	—
Motor	50	10	10	10	2.0
Lamp	50	5	5	5	1.0

\*60 Hz loads rated for 10,000 operations

**Overload Current** — 50 AMPS DC, 80 AMPS 400Hz

**Rupture Current** — 60 AMPS DC, 100 AMPS 400Hz

**Contact Make Bounce** — 1 MILLISECOND AT NOMINAL VOLTAGE

**Max. Contact Drop at 25 Amps** — INITIAL 0.150 VOLTS

**End of Life** — 0.175 VOLTS

### Coil Data

Coil Code	Nominal Voltages	Freq. Hz	DC Res. AC Amps (B)	Over Temperature Range		
				Pickup or Below Volts	Dropout or Above Volts	Must Hold Voltage (C)
1	6	DC	18 Ω	4.5	0.3	2.5
2	12	DC	70 Ω	9.0	0.75	4.5
3	28	DC	290 Ω	18.0	1.5	7.0
4 (A)	28	DC	290 Ω	18.0	1.5	7.0
5	48	DC	865 Ω	32.0	2.5	14.0
6	28	400Hz	225 mA	22.0	1.25	10.0
7	28	50/400Hz	120 mA	22.0	1.25	10.0
8	115	400 Hz	40 mA	90.0	5.0	40.0
9	115	50/400 Hz	30 mA	95.0	5.0	40.0

A. CODE 4 COILS HAVE BACK EMF SUPPRESSION TO 42 VOLTS MAX.

B. DC COIL RESISTANCE ± 10% AT 25°C; AC COIL MAX. CURRENT AT NOMINAL VOLTAGE.

C. RELAY WILL STAY IN PICKED-UP STATE DOWN TO MUST HOLD VOLTAGES SHOWN.

D. MAX. OVER-VOLTAGE: 6 & 12 VDC COILS 120% OF NOMINAL; ALL OTHERS 110% OF NOMINAL.

E. COILS AVAILABLE FOR OTHER VOLTAGES AND FOR AC 50/60HZ.

**NOTE:** Only DC Coil Models are QPL Approved.

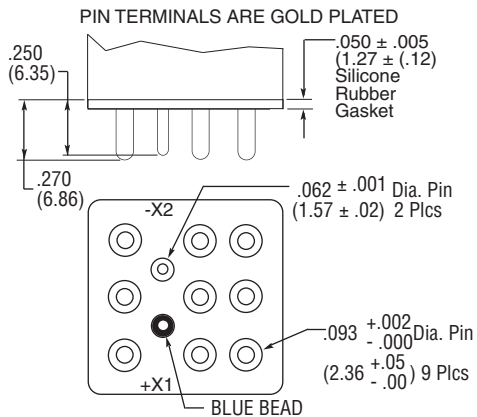
**FCA-325 Series, 25 Amperes, 3PDT** (Continued)

Below are shown the standard terminal types and the enclosures available. Specify the assembly as indicated under How To Order. Dimensions are shown in inches ± .010 and (Millimeters ± .25).

**Terminals**

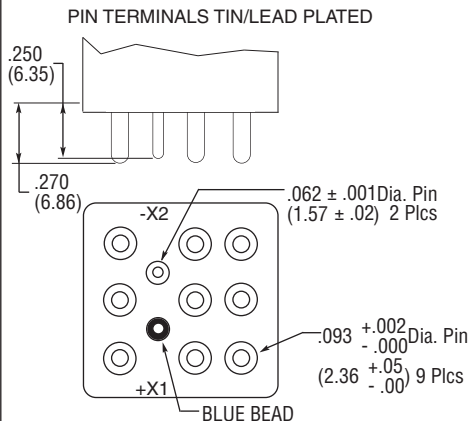
**CODE**

**"A" Socket Pins - All DC Coils**



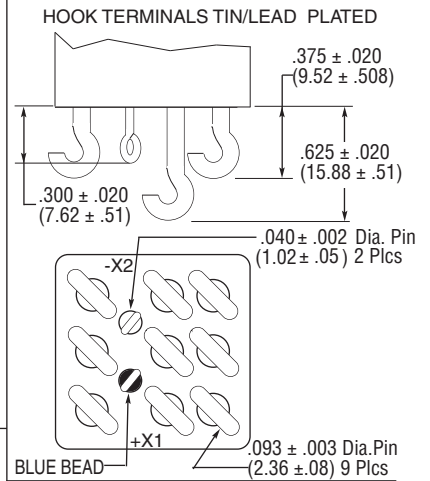
**CODE**

**"B" Solder Pin Terminals**



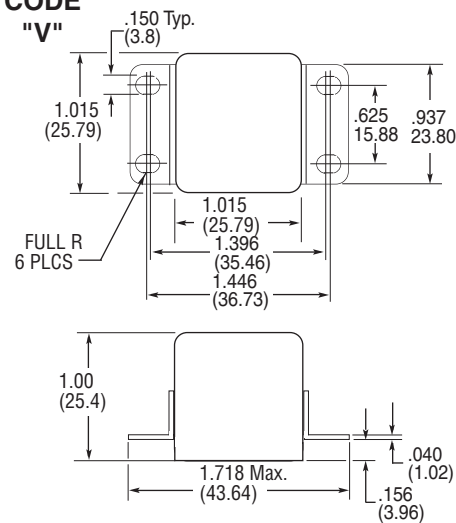
**CODE**

**"C" Solder Hook Terminals**



**CODE**

**"V"**



**Enclosures**

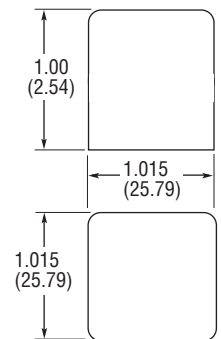
All Enclosures have cupro-Nickel cans bright acid tin/lead plated after assembly to terminal headers.

Dimensions: Inches ± .010 (mm ± .25)

**For socket pin terminals: specify "Y" enclosures with DC coils and "V" enclosures with AC coils.**

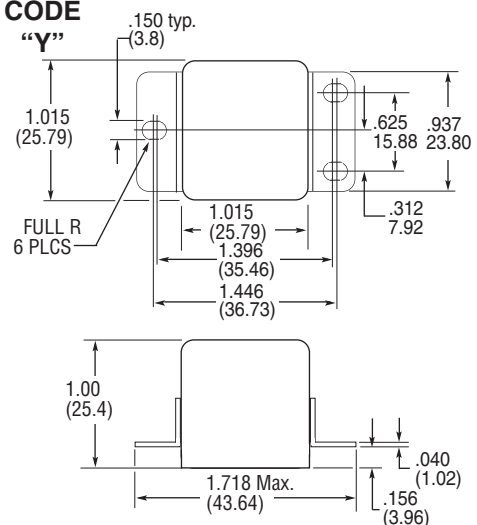
**CODE**

**"Z"**



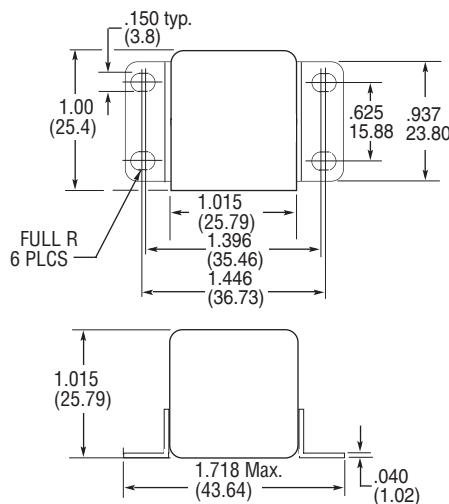
**CODE**

**"Y"**



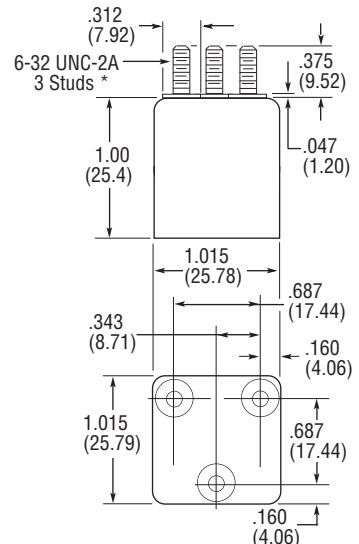
**CODE**

**"X"**



**CODE**

**"W"**



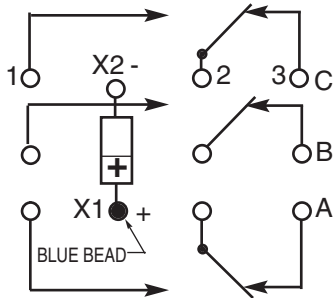
\*Metric threads available, To specify use [M] in place of [W]

**5** CII Mid-Range Relays

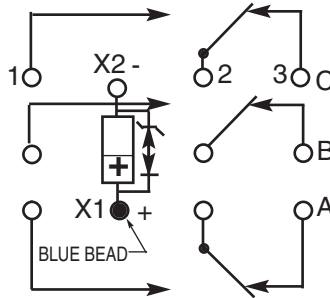
**FCA-325 Series, 25 Amperes, 3PDT** (Continued)

**Terminal Wiring**

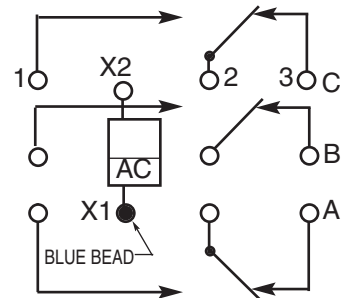
**DC Coils**



**DC Coils with Transient Suppression**



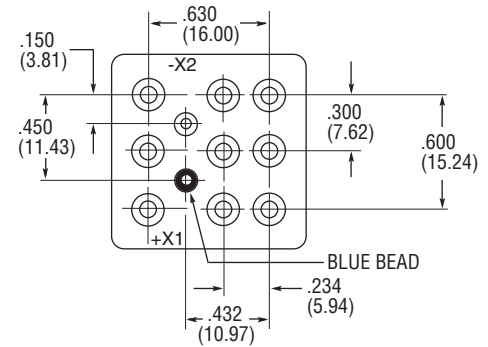
**AC Coils**



**NOTE:** Polarity must be observed with DC coil supply. Relay is polarized with a permanent magnet and will not operate or be damaged by reverse polarity.

Diodes used in transient suppression and in AC rectifier circuits have peak inverse voltage rating of 600 VDC minimum. Zener diodes have a minimum rating of 1 watt.

Terminal designations are for reference only and do not appear on the header.



**TERMINAL VIEW**

**HOW TO ORDER**

**FCA-325-A Y 4**

**RELAY TYPE** \_\_\_\_\_

**TERMINALS** (Socket Pins, DC Coil) \_\_\_\_\_

**ENCLOSURE** (With Flanges) \_\_\_\_\_

**COIL** (28 VDC With Transient Suppression). \_\_\_\_\_

**NOTE: Only DC coil models are QPL Approved**

\* The part number example shown on this page is for catalog items. For a list of specific QPL part numbers, please see the index in Section 15.

## X-ON Electronics

Largest Supplier of Electrical and Electronic Components

*Click to view similar products for [Industrial Relays](#) category:*

*Click to view products by [TE Connectivity](#) manufacturer:*

Other Similar products are found below :

[6-1617801-8](#) [6-1618107-9](#) [7-1618273-3](#) [EV250-4A-02](#) [EV250-6A-01](#) [FCA-125-CX8](#) [FCA-325-159](#) [FCA-410-138](#) [8000-S3121](#) [8-1618273-6](#)  
[8-1618393-1](#) [GCA63A220VAC60HZ](#) [GCA63A277VAC60HZ](#) [GCA63A600VAC60HZ](#) [1-1672275-3](#) [1-1833005-4](#) [H-16/S1](#) [A711Z](#) [H-8C](#)  
[H-8/S11](#) [H-8/S68](#) [ACC530U20](#) [ACC730U30](#) [RF303ZM4-12](#) [DH18DA](#) [1423675-8](#) [AR4-15F13-C01](#) [AR7-41F11](#) [AVR907](#) [15732A200](#)  
[B07B032AC1-0329](#) [B329](#) [B490A](#) [1618279-1](#) [BHR124Y](#) [1810DDB-SX](#) [N417](#) [P30C42A12D1-120](#) [2-1617748-6](#) [2-1618375-1](#) [2-1618396-6](#)  
[2-1618398-1](#) [JMAPD-5XL](#) [JMGACD-5M](#) [JMGSC-5LW](#) [JMGSCD-5L](#) [PBO-18A1218](#) [PBO-40A3040](#) [K8DSPH1200480VAC](#) [KA-3C-12A](#)