

# FCA-410-1622M ✓ ACTIVE

CII | CII FCA-410 Series

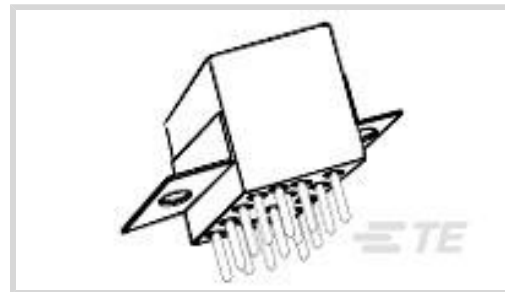
TE Internal #: 2-1617754-1

CII FCA-410 Series, Mid-Range Relays, Mid-Range Relay Contact Arrangement 4 Form C, 4PDT, 4 C/O, Coil Suppression Diode, Gold Terminal Plating

[View on TE.com >](#)



Relays, Contactors & Switches > Relays > Mil-Aero Relays > Mid-Range Relays



Mid-Range Relay Contact Arrangement: **4 Form C, 4PDT, 4 C/O**

Coil Suppression Diode: **With**

Auxiliary Contacts: **Without**

Terminal Plating: **Gold**

Mid-Range Relay Contact Current Rating: **10 A**

## Features

### Product Type Features

|                        |                              |
|------------------------|------------------------------|
| Enclosure Type         | Hermetically Sealed          |
| Terminal Configuration | Socket Pins                  |
| Product Type           | Relay                        |
| Relay Type             | Military/Aerospace Mid-Range |

### Electrical Characteristics

|                                     |                       |
|-------------------------------------|-----------------------|
| Vibration                           | 30G's, 10 – 3000Hz    |
| Shock                               | 200G's, 6ms           |
| Coil Suppression Diode              | With                  |
| Mid-Range Relay Coil Voltage Rating | 28 VDC                |
| Mid-Range Relay Coil Resistance     | 290 $\Omega$          |
| Back EMF Suppression                | With                  |
| Coil Magnetic System                | Polarized, Monostable |
| Actuating System                    | DC                    |

### Contact Features

|  |                       |
|--|-----------------------|
| Mid-Range Relay Contact Arrangement    | 4 Form C, 4PDT, 4 C/O |
| Auxiliary Contacts                     | Without               |
| Terminal Plating                       | Gold                  |
| Mid-Range Relay Contact Current Rating | 10 A                  |



|                       |                      |
|-----------------------|----------------------|
| Contact Base Material | Silver Cadmium Oxide |
|-----------------------|----------------------|

### Mechanical Attachment

|                               |                              |
|-------------------------------|------------------------------|
| Mid-Range Relay Mounting Type | Raised Vertical Flange Mount |
|-------------------------------|------------------------------|

### Usage Conditions

|                             |              |
|-----------------------------|--------------|
| Operating Temperature Range | -70 – 125 °C |
|-----------------------------|--------------|

## Product Compliance

[For compliance documentation, visit the product page on TE.com>](#)

|                              |               |
|------------------------------|---------------|
| EU RoHS Directive 2011/65/EU | Not Compliant |
|------------------------------|---------------|

|                             |               |
|-----------------------------|---------------|
| EU ELV Directive 2000/53/EC | Not Compliant |
|-----------------------------|---------------|

|   |                                      |
|---|--------------------------------------|
| China RoHS 2 Directive MIIT Order No 32, 2016 | Restricted Materials Above Threshold |
|---|--------------------------------------|

|  |   |
|--|---|
| EU REACH Regulation (EC) No. 1907/2006 | Current ECHA Candidate List: JAN 2021 (211)<br>Candidate List Declared Against: JAN 2021 (211)<br>Does not contain REACH SVHC |
|--|---|

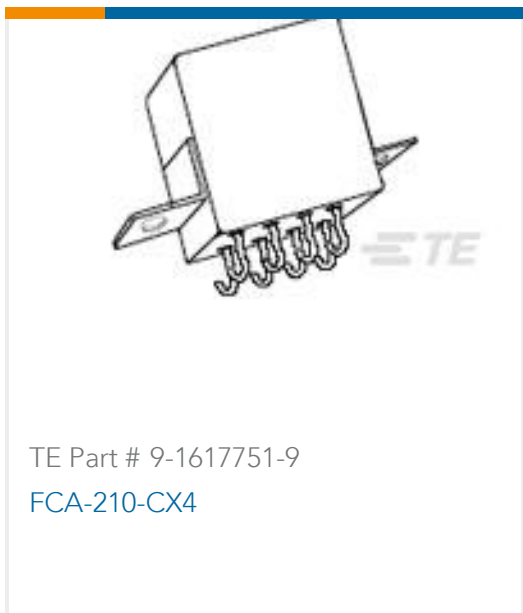
|                 |   |
|-----------------|---|
| Halogen Content | Low Halogen - Br, Cl, F, I < 900 ppm per homogenous material. Also BFR/CFR/PVC Free |
|-----------------|---|

|                           |                               |
|---------------------------|-------------------------------|
| Solder Process Capability | Not lead free process capable |
|---------------------------|-------------------------------|

#### Product Compliance Disclaimer

This information is provided based on reasonable inquiry of our suppliers and represents our current actual knowledge based on the information they provided. This information is subject to change. The part numbers that TE has identified as EU RoHS compliant have a maximum concentration of 0.1% by weight in homogenous materials for lead, hexavalent chromium, mercury, PBB, PBDE, DBP, BBP, DEHP, DIBP, and 0.01% for cadmium, or qualify for an exemption to these limits as defined in the Annexes of Directive 2011/65/EU (RoHS2). Finished electrical and electronic equipment products will be CE marked as required by Directive 2011/65/EU. Components may not be CE marked. Additionally, the part numbers that TE has identified as EU ELV compliant have a maximum concentration of 0.1% by weight in homogenous materials for lead, hexavalent chromium, and mercury, and 0.01% for cadmium, or qualify for an exemption to these limits as defined in the Annexes of Directive 2000/53/EC (ELV). Regarding the REACH Regulation, the information TE provides on SVHC in articles for this part number is based on the latest European Chemicals Agency (ECHA) 'Guidance on requirements for substances in articles' posted at this URL: <https://echa.europa.eu/guidance-documents/guidance-on-reach>

## Compatible Parts



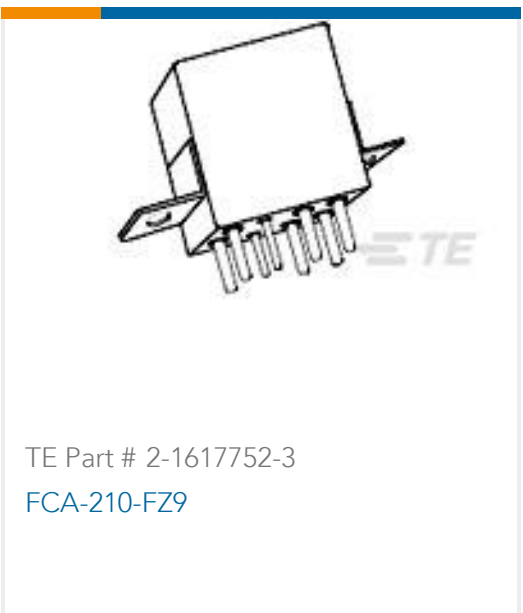
TE Part # 9-1617751-9  
FCA-210-CX4



TE Part # 9-1617748-2  
FCA-210-0919M=M83536/9-019M



TE Part # 3-1617004-0  
B07D692BB2-0069 = M5757/23-006



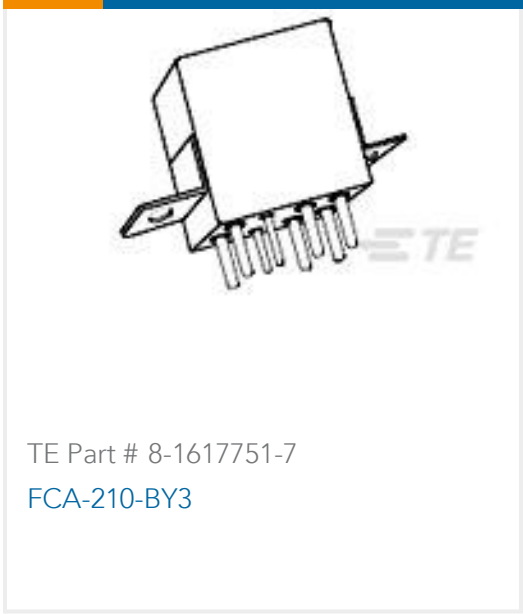
TE Part # 2-1617752-3  
FCA-210-FZ9



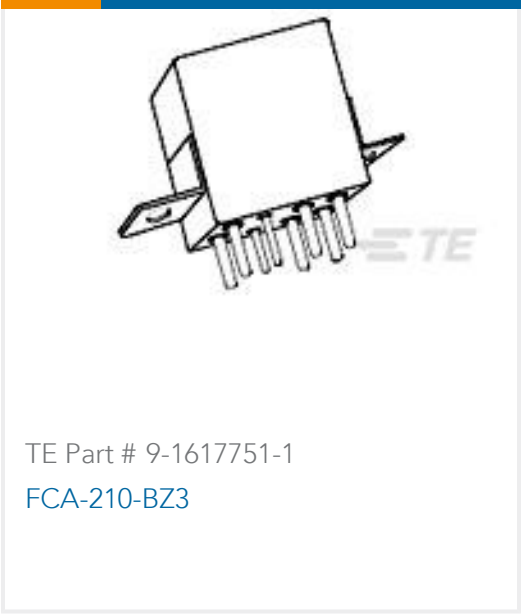
TE Part # 3-1617752-0  
FCA-210-HX9



TE Part # 1617003-2  
B07B311BC3 = 07 10AMP RELAY



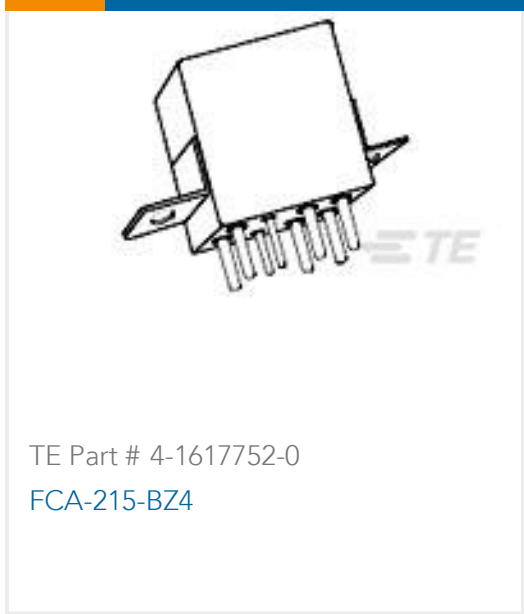
TE Part # 8-1617751-7  
FCA-210-BY3



TE Part # 9-1617751-1  
FCA-210-BZ3



TE Part # 1617752-2  
FCA-210-CX9



TE Part # 4-1617752-0  
FCA-215-BZ4



TE Part # 1-1617784-2  
FCA-210-1004M=M83536/10-004M



TE Part # 1-1617788-0  
FCA-210-0918L=M83536/9-018L



TE Part # 1-1617788-8  
FCA-210-0930L=M83536/9-030L



TE Part # 1617784-7  
FCA-210-1001M=M83536/10-001M



TE Part # 1617788-6  
FCA-210-0915M=M83536/9-015M



TE Part # 1617796-4  
FCA-215-JX4



TE Part # 2-1617784-1  
FCA-210-1010L=M83536/10-010L



TE Part # 2-1617784-9  
FCA-210-1014M=M83536/10-014M



TE Part # 2-1617788-7  
FCA-210-0934M=M83536/9-034M



TE Part # 3-1617784-4  
FCA-210-1017L=M83536/10-017L

Also in the Series | [CII FCA-410 Series](#)

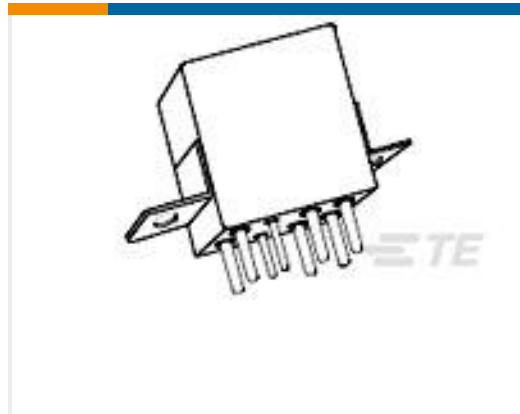


Mid-Range Relays(32)

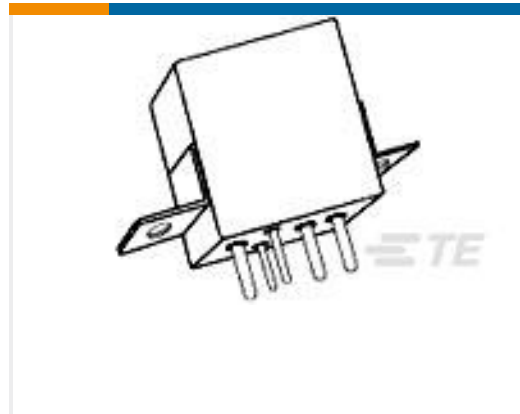
## Customers Also Bought



TE Part #193844-1  
PIN ASSY. 14 AWG



TE Part #2-1617749-2  
FCA-210-1024M=M83536/10-024M



TE Part #2-1617748-8  
FCA-125-22=M6106/19-022



TE Part #1662-213-2031  
CONT SOC ASSY



TE Part #204512-2  
RECEPT ASSY,SZ 1,AMPLIMITE



TE Part #1051654-1  
2031 5006 00 KIT, OSM STR PLUG



TE Part #1423673-2  
W51-A121B1-6=CKTBKR,THERM, ROCK



TE Part #YDTS26W21-35SNV001  
PLUG ASSY



TE Part #179544-000  
D-181-2222-90/9



TE Part #127429-000  
SO63-5-9030

## Documents

### Product Drawings

[FCA-410-1622M=M83536/16-022M](#)

English

### CAD Files

[3D PDF](#)

[3D](#)

### Customer View Model

[ENG\\_CVM\\_CVM\\_2-1617754-1\\_B.2d\\_dxf.zip](#)



English

**Customer View Model**

[ENG\\_CVM\\_CVM\\_2-1617754-1\\_B.3d\\_igs.zip](#)

English

**Customer View Model**

[ENG\\_CVM\\_CVM\\_2-1617754-1\\_B.3d\\_stp.zip](#)

English

By downloading the CAD file I accept and agree to the [Terms and Conditions](#) of use.

**Datasheets & Catalog Pages**

[5-1773450-5\\_sec5\\_FCA-410](#)

English

## X-ON Electronics

Largest Supplier of Electrical and Electronic Components

*Click to view similar products for [Industrial Relays](#) category:*

*Click to view products by [TE Connectivity](#) manufacturer:*

Other Similar products are found below :

[6-1617801-8](#) [6-1618107-9](#) [7-1618273-3](#) [EV250-4A-02](#) [EV250-6A-01](#) [FCA-125-CX8](#) [FCA-325-159](#) [FCA-410-138](#) [8000-S3121](#) [8-1618273-6](#)  
[8-1618393-1](#) [GCA63A220VAC60HZ](#) [GCA63A277VAC60HZ](#) [GCA63A600VAC60HZ](#) [1-1672275-3](#) [1-1833005-4](#) [H-16/S1](#) [A711Z](#) [H-8C](#)  
[H-8/S11](#) [H-8/S68](#) [ACC530U20](#) [ACC730U30](#) [RF303ZM4-12](#) [DH18DA](#) [1423675-8](#) [AR4-15F13-C01](#) [AR7-41F11](#) [AVR907](#) [15732A200](#)  
[B07B032AC1-0329](#) [B329](#) [B490A](#) [1618279-1](#) [BHR124Y](#) [1810DDB-SX](#) [N417](#) [P30C42A12D1-120](#) [2-1617748-6](#) [2-1618375-1](#) [2-1618396-6](#)  
[2-1618398-1](#) [JMAPD-5XL](#) [JMGACD-5M](#) [JMGSC-5LW](#) [JMGSCD-5L](#) [PBO-18A1218](#) [PBO-40A3040](#) [K8DSPH1200480VAC](#) [KA-3C-12A](#)