

MSD INC. — ENGINEERING DATA SHEET

RELAY TYPE: FCA-415-BY4 COMPUTER PART No.: 9244576

TEST PROCEDURE

CUSTOMER/SPECIFICATION: CATALOG ITEM REV NONE

MSDP-79A

TEST REQUIREMENTS

COIL RES.: 290 +/- 10% ohms OPERATE TIME: 15 mS Max RELEASE TIME: 15 mS Max

CONTACT MAKE BOUNCE: 1 mS Max N.O. BREAK BOUNCE: 0.1 mS MAX

CONTACT STABILIZATION TIME: N/A RATED COIL VOLTAGE: 28 Vdc

CONTACT RES.: MFG TEST: 8 Milliohms @ 10 mA FINAL TEST: 10 Milliohms @ 10 mA

CONTACT VOLTAGE DROP: FINAL TEST: 100 mV Max @ 10 A - 6 V dc

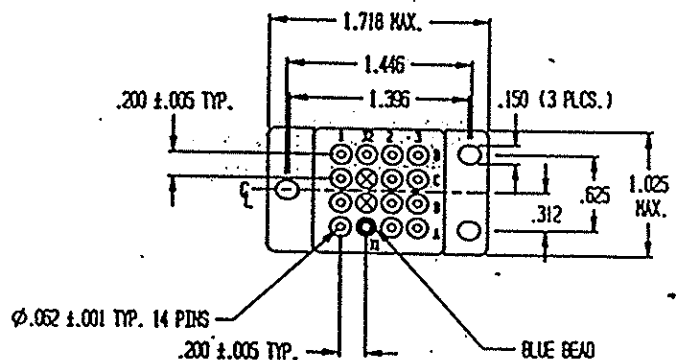
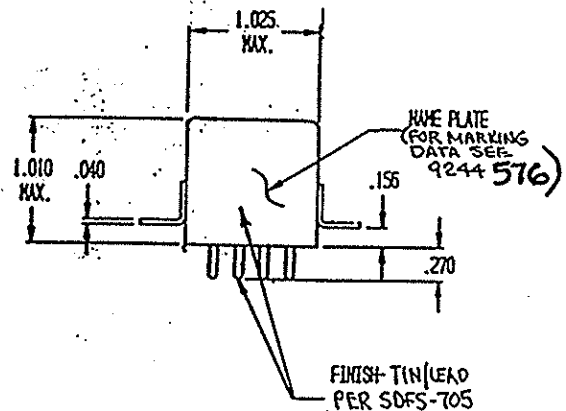
HI-POT: 1250 V rms ALL POINTS, EXCEPT 1000 V rms COIL TO CASE

INSULATION RESISTANCE: 100 Megohms Min @ 500 V dc

VIBRATION: N/A

SEAL TEST: 1X10⁻⁸ Max LEAK RATE COIL TRANSIENT SUPPRESSION: 42 Vdc MAX

OTHER: _____



Prepared By: Date		Approved By: Date	
LES WYNNE 3-3-97			
Rev	ECN No.	Date	

SPECIAL INSTRUCTIONS

X-ON Electronics

Largest Supplier of Electrical and Electronic Components

Click to view similar products for [Industrial Relays](#) category:

Click to view products by [TE Connectivity](#) manufacturer:

Other Similar products are found below :

[6-1618400-7](#) [686-117111](#) [686-120111](#) [EV250-4A-02](#) [EV250-6A-01](#) [FCA-125-CX8](#) [FCA-410-138](#) [8-1618393-1](#) [GCA63A220VAC60HZ](#)
[GCA63A277VAC60HZ](#) [GCA63A600VAC60HZ](#) [ACC530U20](#) [ACC730U30](#) [1395832-1](#) [RMIA210230AC](#) [RMIA45024AC](#) [1423675-8](#)
[B07B032AC1-0329](#) [B329](#) [1617807-1](#) [N417](#) [P25-E5019-1](#) [P30C42A12D1-120](#) [2-1618398-1](#) [PBO-18A1218](#) [2307497](#) [RPYA00324LT](#)
[RPYA003A120LT](#) [KR-4539-1](#) [RT334012WG](#) [S160156115](#) [2944795](#) [ACC1230U20](#) [ACC530U10](#) [ACC730-8025B](#) [FCA-410-167](#) [2071229-5](#)
[2-1616126-3](#) [2-1618002-9](#) [2297109](#) [GCA32A24VDC](#) [GCA800A100VACDC](#) [GCA95A208VAC60HZ](#) [GCA95A24VAC50HZ](#)
[GCA95A48VDC](#) [GPBR](#) [CF30D20012](#) [2946366](#) [2980759](#) [HFW12111S02](#)