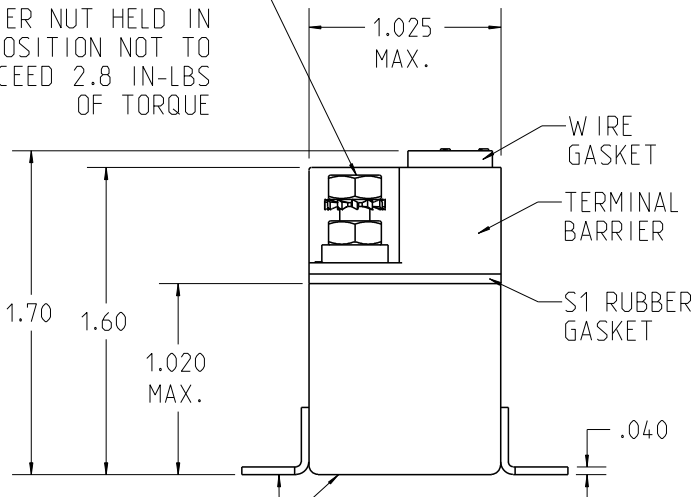
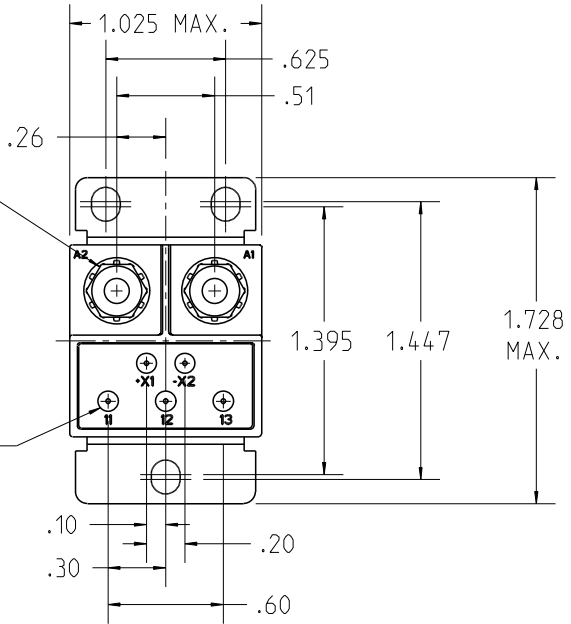


TOLERANCES
 XX = ±.03
 XXX = ±.010

M4 X .7 STUD (2X)
 DIN 6798A LOCK WASHER (2X)
 DIN 934 NUT HEX (4X)

DESIGNED FOR
 MIL-C-39029/22-192
 CONTACTS (5X)

UPPER NUT TORQUE
 NOT TO EXCEED
 11 IN-LBS WITH
 LOWER NUT HELD IN
 POSITION NOT TO
 EXCEED 2.8 IN-LBS
 OF TORQUE



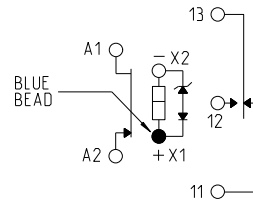
REV. A
 dco 301416

COIL: @ 25°C
 RESISTANCE 290 OHMS ± 10%
 NOMINAL VOLTAGE 28.0 VDC
 MUST OPERATE 13.5 VDC MAX.
 MUST RELEASE 5.5 VDC MAX.; 2.3 VDC MIN.

ENVIRONMENT:
 VIBRATION 75 Hz TO 3000 Hz @ 20 g's
 SHOCK 50 g's 11 MS. DURATION
 TEMPERATURE -70 °C TO +125 °C

NOTES: OPERATE AND RELEASE 15ms MAX. AT 25°C
CONTACT BOUNCE 1ms MAX. AUX BOUNCE 5ms MAX.
DIELECTRIC 1250 Vrms MAX./60Hz (1000 Vrms/60 Hz COIL TO CASE).
COIL TRANSIENT SUPPRESSION 42 Vdc MAX.

CUSTOMER DATA SHEET



TERMINAL VIEW

CONTACT RATING: 50 AMPS 28 Vdc
AUX 2 AMP 28Vdc
RESISTIVE 50,000 OPERATIONS EACH

DR. TWHaynes 190ct11 CK. *MS 10/15/11*



CUST. CII CATALOG
 CUST. NO. - REV. -

TE NUMBER
5-1617802-5

CII PART NUMBER
FC AC -150NC -KU4

X-ON Electronics

Largest Supplier of Electrical and Electronic Components

Click to view similar products for [General Purpose Relays](#) category:

Click to view products by [TE Connectivity](#) manufacturer:

Other Similar products are found below :

[PCN-105D3MH,000](#) [59641F200](#) [LY1SAC110120](#) [5X827E](#) [5X837F](#) [5X840F](#) [5X842F](#) [5X848E](#) [LY2N-AC120](#) [LY2S-AC220/240](#) [LY2-US-AC120](#) [LY3-US-AC120](#) [LY4F-UA-DC12](#) [LY4F-UA-DC24](#) [LY4F-US-AC120](#) [LY4F-US-AC240](#) [LY4F-US-DC24](#) [LY4F-VD-AC110](#) [LYQ20DC12](#) [M115C60](#) [M115N010](#) [M115N0150](#) [6031007G](#) [603-12D](#) [61211T0B4](#) [61212T400](#) [61222Q400](#) [61243B600](#) [61243C500](#) [61243Q400](#) [61311BOA2](#) [61311BOA6](#) [61311BOA8](#) [61311C0A2](#) [61311COA1](#) [61311COA6](#) [61311F0A2](#) [61311QOA1](#) [61311QOA4](#) [61311T0D6](#) [61311TOA6](#) [61311TOA7](#) [61311TOB3](#) [61311TOB4](#) [61311U0A6](#) [61312Q600](#) [61312T400](#) [61312T600](#) [61313U200](#) [61313U400](#)