



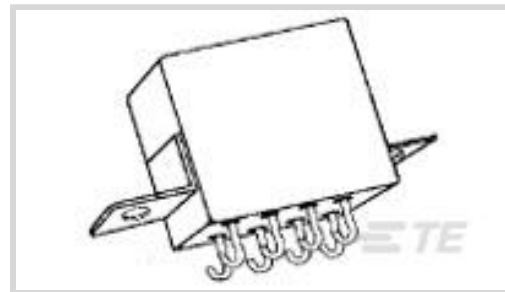
CII | CII FCB-205 Series

TE Internal #: 4-1617758-8

CII FCB-205 Series, Mid-Range Relays, Mid-Range Relay Contact Arrangement 2 Form C, DPDT, 2 C/O, Coil Suppression Diode, Tin-Lead Terminal Plating

[View on TE.com >](#)

Relays, Contactors & Switches > Relays > Mil-Aero Relays > Mid-Range Relays



Mid-Range Relay Contact Arrangement: **2 Form C, DPDT, 2 C/O**

Coil Suppression Diode: **With**

Auxiliary Contacts: **Without**

Terminal Plating: **Tin-Lead**

Mid-Range Relay Contact Current Rating: **5 A**

Features

Product Type Features

| | |
|------------------------|------------------------------|
| Enclosure Type | Hermetically Sealed |
| Terminal Configuration | Solder Hook |
| Product Type | Relay |
| Relay Type | Military/Aerospace Mid-Range |

Electrical Characteristics

| | |
|-------------------------------------|-----------------------|
| Vibration | 30G's, 70 – 3000Hz |
| Shock | 200G's, 6ms |
| Coil Suppression Diode | With |
| Mid-Range Relay Coil Voltage Rating | 28 VDC |
| Mid-Range Relay Coil Resistance | 500 Ω |
| Back EMF Suppression | With |
| Coil Magnetic System | Polarized, Monostable |
| Actuating System | DC |

Contact Features

| | |
|--|-----------------------|
| Mid-Range Relay Contact Arrangement | 2 Form C, DPDT, 2 C/O |
| Auxiliary Contacts | Without |
| Terminal Plating | Tin-Lead |
| Mid-Range Relay Contact Current Rating | 5 A |



| | |
|-----------------------|----------------------|
| Contact Base Material | Silver Cadmium Oxide |
|-----------------------|----------------------|

Mechanical Attachment

| | |
|-------------------------------|------------------------------|
| Mid-Range Relay Mounting Type | Raised Vertical Flange Mount |
|-------------------------------|------------------------------|

Usage Conditions

| | |
|-----------------------------|--------------|
| Operating Temperature Range | -70 – 125 °C |
|-----------------------------|--------------|

Product Compliance

[For compliance documentation, visit the product page on TE.com>](#)

| | |
|------------------------------|---------------|
| EU RoHS Directive 2011/65/EU | Not Compliant |
|------------------------------|---------------|

| | |
|-----------------------------|---------------|
| EU ELV Directive 2000/53/EC | Not Compliant |
|-----------------------------|---------------|

| | |
|---|--------------------------------------|
| China RoHS 2 Directive MIIT Order No 32, 2016 | Restricted Materials Above Threshold |
|---|--------------------------------------|

| | |
|--|---|
| EU REACH Regulation (EC) No. 1907/2006 | Current ECHA Candidate List: JAN 2021 (211) Candidate List Declared Against: JAN 2021 (211) Does not contain REACH SVHC |
|--|---|

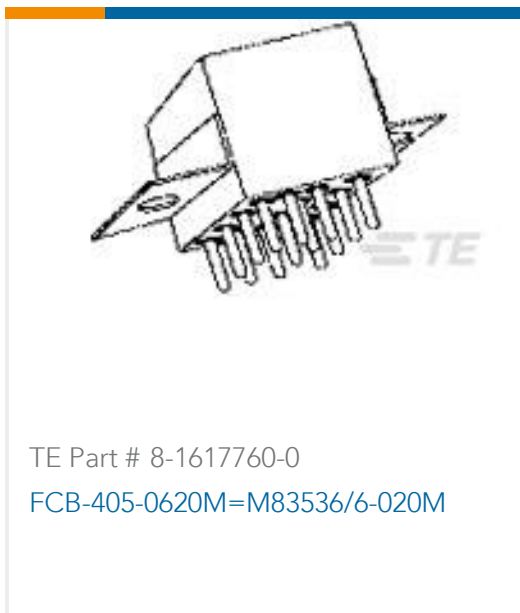
| | |
|-----------------|---|
| Halogen Content | Low Halogen - Br, Cl, F, I < 900 ppm per homogenous material. Also BFR/CFR/PVC Free |
|-----------------|---|

| | |
|---------------------------|-------------------------------|
| Solder Process Capability | Not lead free process capable |
|---------------------------|-------------------------------|

Product Compliance Disclaimer

This information is provided based on reasonable inquiry of our suppliers and represents our current actual knowledge based on the information they provided. This information is subject to change. The part numbers that TE has identified as EU RoHS compliant have a maximum concentration of 0.1% by weight in homogenous materials for lead, hexavalent chromium, mercury, PBB, PBDE, DBP, BBP, DEHP, DIBP, and 0.01% for cadmium, or qualify for an exemption to these limits as defined in the Annexes of Directive 2011/65/EU (RoHS2). Finished electrical and electronic equipment products will be CE marked as required by Directive 2011/65/EU. Components may not be CE marked. Additionally, the part numbers that TE has identified as EU ELV compliant have a maximum concentration of 0.1% by weight in homogenous materials for lead, hexavalent chromium, and mercury, and 0.01% for cadmium, or qualify for an exemption to these limits as defined in the Annexes of Directive 2000/53/EC (ELV). Regarding the REACH Regulation, the information TE provides on SVHC in articles for this part number is based on the latest European Chemicals Agency (ECHA) 'Guidance on requirements for substances in articles' posted at this URL: <https://echa.europa.eu/guidance-documents/guidance-on-reach>

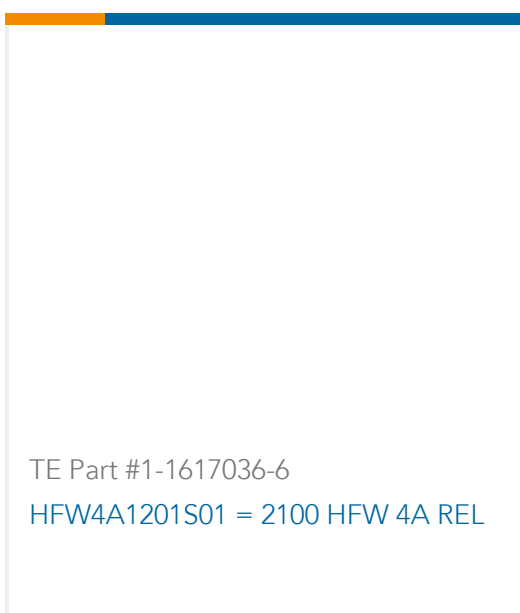
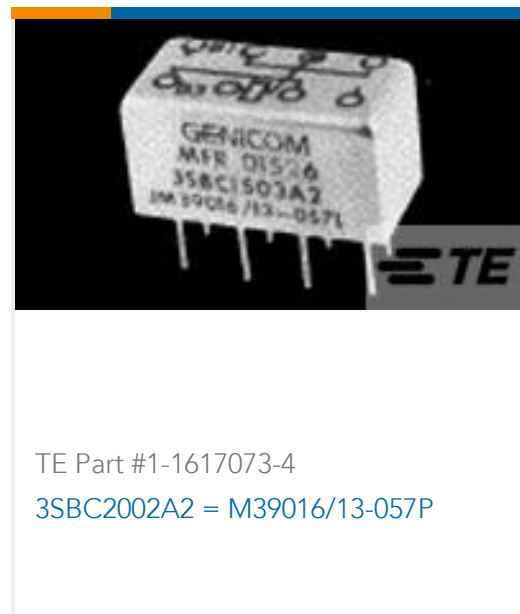
Compatible Parts



Also in the Series | CII FCB-205 Series



Customers Also Bought





Documents

Product Drawings

[FCB-205-0223M=M83536/2-023M](#)

English

CAD Files

3D PDF

3D

Customer View Model

[ENG_CVM_CVM_4-1617758-8_D.2d_dxf.zip](#)

English

Customer View Model

[ENG_CVM_CVM_4-1617758-8_D.3d_igs.zip](#)

English

Customer View Model

[ENG_CVM_CVM_4-1617758-8_D.3d_stp.zip](#)

English

By downloading the CAD file I accept and agree to the [Terms and Conditions](#) of use.

Datasheets & Catalog Pages

[5-1773450-5_sec5_FCB-205](#)

English

X-ON Electronics

Largest Supplier of Electrical and Electronic Components

Click to view similar products for [General Purpose Relays](#) category:

Click to view products by [TE Connectivity](#) manufacturer:

Other Similar products are found below :

[PCN-105D3MH,000](#) [59641F200](#) [5JO-1000CD-SIL](#) [LY1SAC110120](#) [5X827E](#) [5X837F](#) [5X840F](#) [5X842F](#) [5X848E](#) [LY2N-AC120](#) [LY2S-AC220/240](#) [LY2-US-AC120](#) [LY3-US-AC120](#) [LY4F-UA-DC12](#) [LY4F-UA-DC24](#) [LY4F-US-AC120](#) [LY4F-US-AC240](#) [LY4F-US-DC24](#) [LY4F-VD-AC110](#) [LYQ20DC12](#) [M115C60](#) [M115N010](#) [M115N0150](#) [6031007G](#) [603-12D](#) [61211T0B4](#) [61212T400](#) [61222Q400](#) [61243B600](#) [61243C500](#) [61243Q400](#) [61311BOA2](#) [61311BOA6](#) [61311BOA8](#) [61311C0A2](#) [61311COA1](#) [61311COA6](#) [61311F0A2](#) [61311QOA1](#) [61311QOA4](#) [61311T0D6](#) [61311TOA6](#) [61311TOA7](#) [61311TOB3](#) [61311TOB4](#) [61311U0A6](#) [61312Q600](#) [61312T400](#) [61312T600](#) [61313U200](#)