

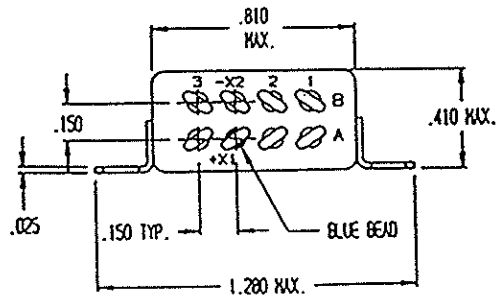
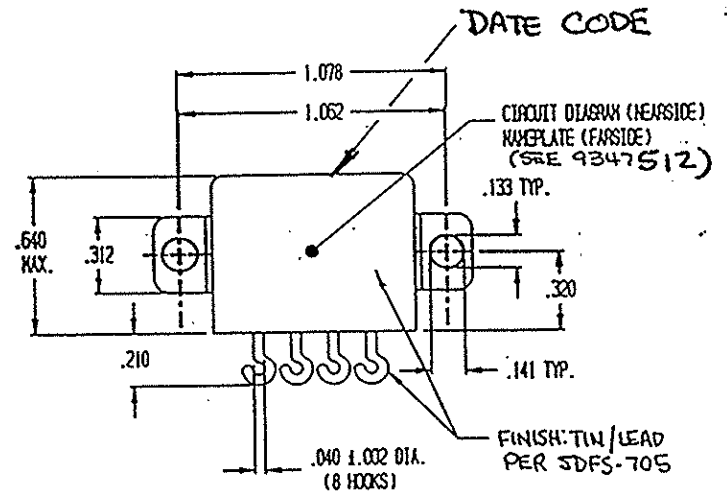
MSD INC.

ENGINEERING DATA SHEET

RELAY TYPE: FCB-205-CX2	COMPUTER PART No.: 9347512	TEST PROCEDURE MSDP- 791
CUSTOMER/SPECIFICATION: CATALOG ITEM		REV NONE

TEST REQUIREMENTS

COIL RES.: $\pm 10\%$ 195 OHMS OPERATE TIME: 5MS MAX RELEASE TIME: 5MS MAX
 CONTACT MAKE BOUNCE: 1MS MAX N.O. BREAK BOUNCE: N/A
 CONTACT STABILIZATION TIME: N/A RATED COIL VOLTAGE: 12Vdc
 CONTACT RES.: MFG TEST: .040 OHMS @ 10mA - 6Vdc FINAL TEST: .050 OHMS @ 10mA - 6Vdc
 CONTACT VOLTAGE DROP: FINAL TEST: .100 V MAX @ 5A - 6Vdc
 HI-POT: 1000 Vrms ALL POINTS
 INSULATION RESISTANCE: 100 MEGOHMS MIN. @ 500 Vdc
 VIBRATION: N/A
 SEAL TEST: 1×10^{-8} MAX LEAK RATE COIL TRANSIENT SUPPRESSION: N/A
 OTHER: _____



Prepared By: Date		Approved By: Date	
LES WYNNE 3-20-96		<i>J. Lockyer</i> 3-21-96	
Rev	ECN No.	Date	
C	97-248	12-29-97	

SPECIAL INSTRUCTIONS

X-ON Electronics

Largest Supplier of Electrical and Electronic Components

Click to view similar products for [Industrial Relays](#) category:

Click to view products by [TE Connectivity](#) manufacturer:

Other Similar products are found below :

[6-1617801-8](#) [6-1618107-9](#) [7-1618273-3](#) [EV250-4A-02](#) [EV250-6A-01](#) [FCA-125-CX8](#) [FCA-325-159](#) [FCA-410-138](#) [8000-S3121](#) [8-1618273-6](#)
[8-1618393-1](#) [GCA63A220VAC60HZ](#) [GCA63A277VAC60HZ](#) [GCA63A600VAC60HZ](#) [1-1672275-3](#) [1-1833005-4](#) [H-16/S1](#) [A711Z](#) [H-8C](#)
[H-8/S11](#) [H-8/S68](#) [ACC530U20](#) [ACC730U30](#) [RF303ZM4-12](#) [DH18DA](#) [1423675-8](#) [AR4-15F13-C01](#) [AR7-41F11](#) [AVR907](#) [15732A200](#)
[B07B032AC1-0329](#) [B329](#) [B490A](#) [1618279-1](#) [BHR124Y](#) [1810DDB-SX](#) [N417](#) [P30C42A12D1-120](#) [2-1617748-6](#) [2-1618375-1](#) [2-1618396-6](#)
[2-1618398-1](#) [JMAPD-5XL](#) [JMGACD-5M](#) [JMGSC-5LW](#) [JMGSCD-5L](#) [PBO-18A1218](#) [PBO-40A3040](#) [K8DSPH1200480VAC](#) [KA-3C-12A](#)