



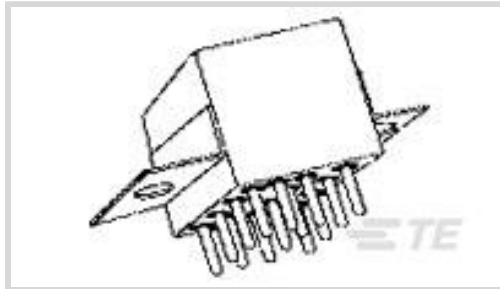
CII | CII FCB-405 Series

TE Internal #: 8-1617760-6

CII FCB-405 Series, Mid-Range Relays, Mid-Range Relay Contact Arrangement 4 Form C, 4PDT, 4 C/O, Coil Suppression Diode, Gold Terminal Plating

[View on TE.com >](#)

Relays, Contactors & Switches > Relays > Mil-Aero Relays > Mid-Range Relays



Mid-Range Relay Contact Arrangement: **4 Form C, 4PDT, 4 C/O**

Coil Suppression Diode: **With**

Auxiliary Contacts: **Without**

Terminal Plating: **Gold**

Mid-Range Relay Contact Current Rating: **5 A**

**Features**

**Product Type Features**

Enclosure Type	Hermetically Sealed
Terminal Configuration	Socket Pins
Product Type	Relay
Relay Type	Military/Aerospace Mid-Range

**Electrical Characteristics**

Vibration	20G's, 500 – 3000Hz
Shock	50G's, 11ms
Coil Suppression Diode	With
Mid-Range Relay Coil Voltage Rating	28 VDC
Mid-Range Relay Coil Resistance	400 Ω
Back EMF Suppression	With
Coil Magnetic System	Polarized, Monostable
Actuating System	DC

**Contact Features**

Mid-Range Relay Contact Arrangement	4 Form C, 4PDT, 4 C/O
Auxiliary Contacts	Without
Terminal Plating	Gold
Mid-Range Relay Contact Current Rating	5 A



Contact Base Material	Silver Cadmium Oxide
-----------------------	----------------------

### Mechanical Attachment

Mid-Range Relay Mounting Type	Track Mount
-------------------------------	-------------

### Usage Conditions

Operating Temperature Range	-70 – 125 °C
-----------------------------	--------------

## Product Compliance

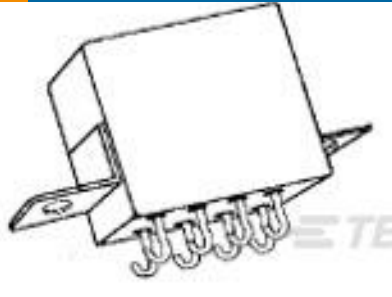
[For compliance documentation, visit the product page on TE.com>](#)

EU RoHS Directive 2011/65/EU	Compliant
EU ELV Directive 2000/53/EC	Not Compliant
China RoHS 2 Directive MIIT Order No 32, 2016	No Restricted Materials Above Threshold
EU REACH Regulation (EC) No. 1907/2006	Current ECHA Candidate List: JAN 2021 (211) Candidate List Declared Against: JAN 2021 (211) Does not contain REACH SVHC
Halogen Content	Low Halogen - Br, Cl, F, I < 900 ppm per homogenous material. Also BFR/CFR/PVC Free
Solder Process Capability	Not applicable for solder process capability

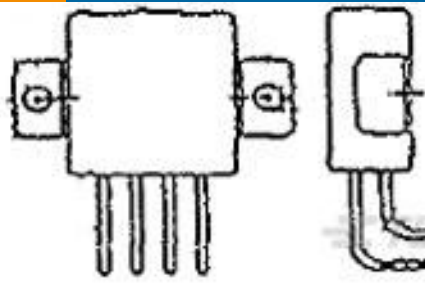
#### Product Compliance Disclaimer

This information is provided based on reasonable inquiry of our suppliers and represents our current actual knowledge based on the information they provided. This information is subject to change. The part numbers that TE has identified as EU RoHS compliant have a maximum concentration of 0.1% by weight in homogenous materials for lead, hexavalent chromium, mercury, PBB, PBDE, DBP, BBP, DEHP, DIBP, and 0.01% for cadmium, or qualify for an exemption to these limits as defined in the Annexes of Directive 2011/65/EU (RoHS2). Finished electrical and electronic equipment products will be CE marked as required by Directive 2011/65/EU. Components may not be CE marked. Additionally, the part numbers that TE has identified as EU ELV compliant have a maximum concentration of 0.1% by weight in homogenous materials for lead, hexavalent chromium, and mercury, and 0.01% for cadmium, or qualify for an exemption to these limits as defined in the Annexes of Directive 2000/53/EC (ELV). Regarding the REACH Regulation, the information TE provides on SVHC in articles for this part number is based on the latest European Chemicals Agency (ECHA) 'Guidance on requirements for substances in articles' posted at this URL: <https://echa.europa.eu/guidance-documents/guidance-on-reach>

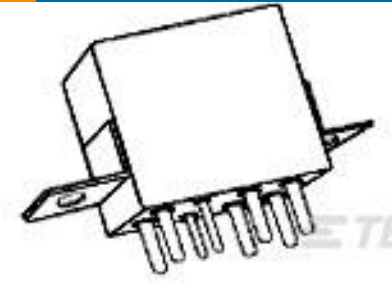
## Compatible Parts

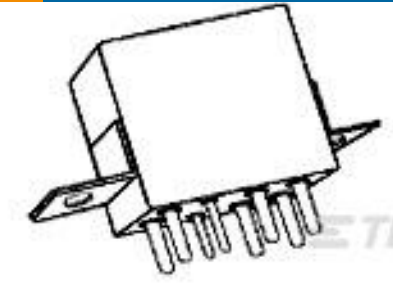
TE Part # 5-1617758-2  
FCB-205-0226M=M83536/2-026M



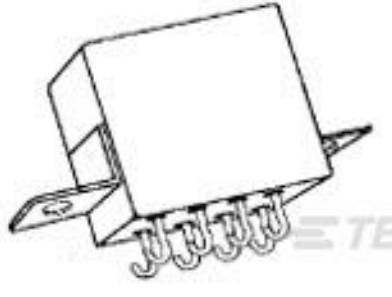
TE Part # 5-1617758-3  
FCB-205-0227M=M83536/2-027M



TE Part # 2-1617758-6  
FCB-205-0110M=M83536/1-010M



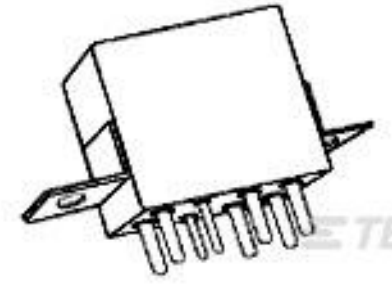
TE Part # 4-1617758-9  
FCB-205-0224L=M83536/2-024L



TE Part # 3-1617758-6  
FCB-205-0126M=M83536/1-026M



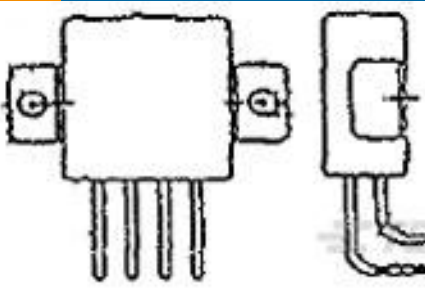
TE Part # 8-1617784-4  
FCB-205-0113M=M83536/1-013M



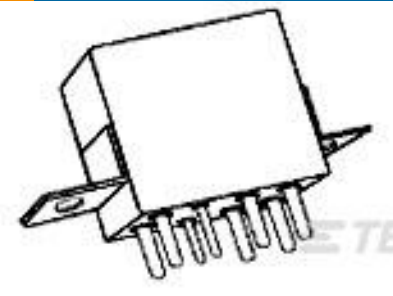
TE Part # 7-1617758-5  
FCB-205-BY4



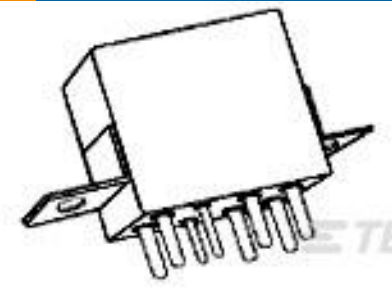
TE Part # 8-1617758-2  
FCB-205-CX4



TE Part # 8-1617758-8  
FCB-205-HX2



TE Part # 3-1617758-0  
FCB-205-0122M=M83536/1-022M



TE Part # 4-1617758-3  
FCB-205-0219L=M83536/2-019L



TE Part # 1-1617785-1  
FCB-205-0132M=M83536/1-032M



TE Part # 1-1617785-7  
FCB-205-0135M=M83536/1-035M



TE Part # 1617785-4  
FCB-205-0129L=M83536/1-029L



TE Part # 2-1617786-4  
FCB-205-0202L=M83536/2-002L



TE Part # 3-1617786-2  
FCB-205-0207L=M83536/2-007L



TE Part # 3-1617786-8  
FCB-205-0211L=M83536/2-011L



TE Part # 4-1617786-4  
FCB-205-0214L=M83536/2-014L



TE Part # 4-1617789-2  
FCB-205-BZ5=MIDRANGE RELAY



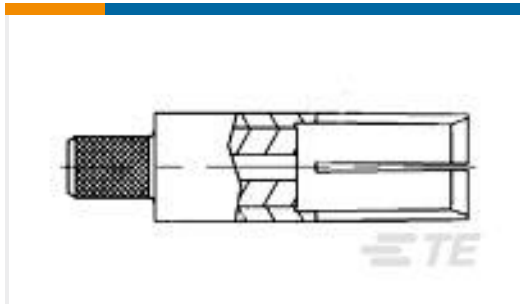
TE Part # 5-1617786-4  
FCB-205-0222L=M83536/2-022L

Also in the Series | CII FCB-405 Series



Mid-Range Relays(24)

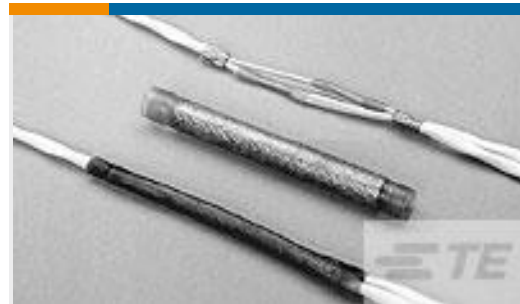
## Customers Also Bought



TE Part #225791-2  
COAXIAL RF SOCKET, SZ 5



TE Part #1-225554-1  
TNC-DUAL CMP R/ANGLE PLUG-W/P



TE Part #193495-000  
D-150-0179



TE Part #1662-213-2031  
CONT SOC ASSY



TE Part #255111-000  
55A1811-22-9-9CS2275



TE Part #YDTS24W15-19SNV001  
RECP ASSY



TE Part #440703-000  
SO63-1-9030



TE Part #383008-1  
SSC-1/239



TE Part #225973-4  
PLUG, RT ANGLE, DUAL CRIMP,BNC



TE Part #2560-218-2031  
CONT PIN

## Documents

### Product Drawings

[FCB-405-0625M=M83536/6-025M](#)

English

### CAD Files

[3D PDF](#)

[3D](#)

### Customer View Model

[ENG\\_CVM\\_CVM\\_8-1617760-6\\_D.2d\\_dxf.zip](#)



English

**Customer View Model**

[ENG\\_CVM\\_CVM\\_8-1617760-6\\_D.3d\\_igs.zip](#)

English

**Customer View Model**

[ENG\\_CVM\\_CVM\\_8-1617760-6\\_D.3d\\_stp.zip](#)

English

By downloading the CAD file I accept and agree to the [Terms and Conditions](#) of use.

---

**Datasheets & Catalog Pages**

[5-1773450-5\\_sec5\\_FCB-405](#)

English

## X-ON Electronics

Largest Supplier of Electrical and Electronic Components

*Click to view similar products for [Industrial Relays](#) category:*

*Click to view products by [TE Connectivity](#) manufacturer:*

Other Similar products are found below :

[6-1617801-8](#) [6-1618107-9](#) [7-1618273-3](#) [EV250-4A-02](#) [EV250-6A-01](#) [FCA-125-CX8](#) [FCA-325-159](#) [FCA-410-138](#) [8000-S3121](#) [8-1618273-6](#)  
[8-1618393-1](#) [GCA63A220VAC60HZ](#) [GCA63A277VAC60HZ](#) [GCA63A600VAC60HZ](#) [1-1672275-3](#) [1-1833005-4](#) [H-16/S1](#) [A711Z](#) [H-8C](#)  
[H-8/S11](#) [H-8/S68](#) [ACC530U20](#) [ACC730U30](#) [RF303ZM4-12](#) [DH18DA](#) [1423675-8](#) [AR4-15F13-C01](#) [AR7-41F11](#) [AVR907](#) [15732A200](#)  
[B07B032AC1-0329](#) [B329](#) [B490A](#) [1618279-1](#) [BHR124Y](#) [1810DDB-SX](#) [N417](#) [P30C42A12D1-120](#) [2-1617748-6](#) [2-1618375-1](#) [2-1618396-6](#)  
[2-1618398-1](#) [JMAPD-5XL](#) [JMGACD-5M](#) [JMGSC-5LW](#) [JMGSCD-5L](#) [PBO-18A1218](#) [PBO-40A3040](#) [K8DSPH1200480VAC](#) [KA-3C-12A](#)