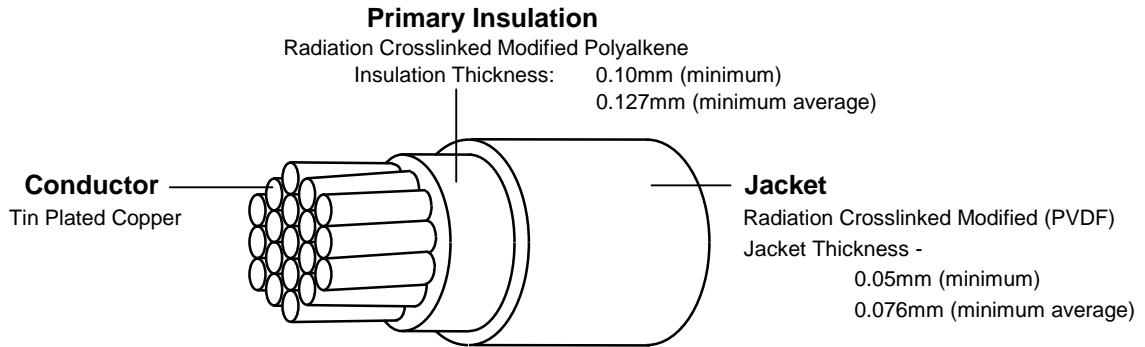


## FlexLite™

### DUAL WALL HOOKUP WIRE, TIN PLATED COPPER, RADIATION-CROSSLINKED, MODIFIED POLYALKENE/PVDF INSULATED, 125°C, 600 VOLT

The complete requirements for procuring the wire described herein shall consist of this document, Test Regime WSD3106(UK) and the requirements of the issue is effect of WCD3106, UL style 3584 and shall carry UL labels to that effect.



Part Description	Conductor			FINISHED WIRE							
	Nominal CSA (mm <sup>2</sup> )	Stranding No./Diam. (mm)	Diameter (mm)		Maximum Resistance @20°C (ohms/km)	Diameter (mm)			Nominal Weight (kg/km)	Crosslink Verification Test	
			Min.	Max.		Lower Spec Limit	Target	Upper Spec Limit		Mandrel Diam. (mm) (±3%)	Weight (kg) (±3%)
FLDWC0311-0.25-*	0.25	19/0.127	0.55	0.63	83.3	1.12	1.17	1.22	3.45	13	0.17
FLDWC0311-0.35-*	0.35	19/0.15	0.72	0.77	56.1	1.31	1.37	1.42	4.79	19	0.17
FLDWC0311-0.50-*	0.50	19/0.19	0.86	0.88	40.1	1.46	1.51	1.56	6.46	19	0.23
FLDWC0311-0.75-*	0.75	19/0.23	1.05	1.08	24.7	1.65	1.70	1.75	8.93	25	0.23
FLDWC0311-1.00-*	1.00	19/0.25	1.17	1.26	20.0	1.78	1.85	1.93	10.9	25	0.23
FLDWC0311-1.50-*	1.50	19/0.32	1.35	1.58	13.7	2.19	2.27	2.34	17.9	30	0.45
FLDWC0311-2.00-*	2.00	19/0.36	1.66	1.79	9.7	2.42	2.52	2.62	21.3	38	0.45
FLDWC0311-2.50-*	2.50	19/0.41	1.85	2.01	8.2	2.63	2.73	2.83	27.4	50	0.68

**WIRE RATINGS:** Temperature Rating :- 125 °C  
Voltage Rating :- 600 Volts (rms)  
Flame Rating :- VW1

**COLOUR CODE:** The '\*' in the part number shall be replaced by a standard colour code designator. e.g., FLDWC0311-1.50-9, 1.50mm<sup>2</sup>, white insulation

**ADDITIONAL REQUIREMENTS:** Crosslink Verification: 300 ±3°C/1 hr. as per WCD3106 clause 3.4.7; voltage withstand - 2.5 kV; mandrels & weights as shown above.

Insulation Tensile Strength: 17.2N/mm<sup>2</sup> minimum  
Insulation Elongation: 150% minimum  
Thermal Stability: Temperature - 158°C; 70% tensile strength & elongation retention  
Shrinkage: 3 mm maximum at each end at 125°C/1 hour  
Insulation Resistance: 1524 Mohm.km minimum  
Spark Test: 8.0 kV

**APPROVAL:** Electronic sign off - no signatures will appear.

## X-ON Electronics

Largest Supplier of Electrical and Electronic Components

*Click to view similar products for [Hook-up Wire](#) category:*

*Click to view products by [TE Connectivity](#) manufacturer:*

Other Similar products are found below :

[002333-000](#) [M81044/12-22-6](#) [M81044/9-8-9](#) [743094-001](#) [81044/12-18-9CS3209](#) [ATFC0311-20-5D](#) [EF5675-000](#) [BFWUL3239-24-PINK](#)  
[22759/34-16-9CS2621](#) [22759/42-24-9CS2620](#) [933205-000](#) [30802-009-250](#) [99M0111-20-2](#) [A00594-000](#) [190571-000](#) [22759/41-12-9CS2620](#)  
[22759/41-16-9CS2620](#) [22759/43-10-9CS2873](#) [CM9524-000](#) [31510-010-250](#) [32412-009-500](#) [34401-010-250](#) [34402-010-500](#) [M81044/9-4-9](#)  
[391441-BK007](#) [400R0111-10-9](#) [431660-000](#) [ATFC0311-20-0](#) [ATFC0311-20-3](#) [44/7024-26-9-9](#) [44A0112-22-9CS3184](#) [BFW-UL3239-24-](#)  
[WHITE](#) [55/0312-26-6L-CS2570](#) [55A0811-12-9](#) [55A6087-20-9-9-9](#) [55A7400-22-9/96-9CS2275](#) [55A9002-30-5](#) [55PC0211-20-5CS2502](#)  
[55PC0811-6-9CS2637](#) [55PC1211-22-9-9CS3278](#) [C07683-000](#) [34020-008-2000](#) [358838-000](#) [391850-BK199](#) [392075-RD199](#) [W28-6HU](#)  
[437545-000](#) [44A0112-24-9CS3184](#) [44A0211-16-8-1KF/1](#) [44A0211-16-9CS3030](#)