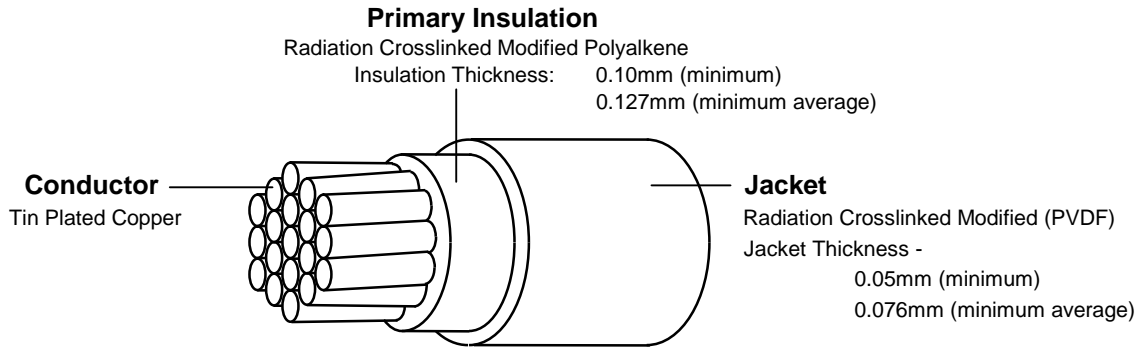


FlexLite™

DUAL WALL HOOKUP WIRE, TIN PLATED COPPER, RADIATION-CROSSLINKED, MODIFIED POLYALKENE/PVDF INSULATED, 125°C, 600 VOLT

The complete requirements for procuring the wire described herein shall consist of this document, Test Regime WSD3106(UK) and the requirements of the issue is effect of WCD3106, UL style 3584 and shall carry UL labels to that effect.



Part Description	Conductor			FINISHED WIRE							
	Nominal CSA (mm ²)	Stranding No./Diam. (mm)	Diameter (mm)		Maximum Resistance @20°C (ohms/km)	Diameter (mm)			Nominal Weight (kg/km)	Crosslink Verification Test	
			Min.	Max.		Lower Spec Limit	Target	Upper Spec Limit		Mandrel Diam. (mm) (±3%)	Weight (kg) (±3%)
FLDWC0311-0.25-*	0.25	19/0.127	0.55	0.63	83.3	1.12	1.17	1.22	3.45	13	0.17
FLDWC0311-0.35-*	0.35	19/0.15	0.72	0.77	56.1	1.31	1.37	1.42	4.79	19	0.17
FLDWC0311-0.50-*	0.50	19/0.19	0.86	0.88	40.1	1.46	1.51	1.56	6.46	19	0.23
FLDWC0311-0.75-*	0.75	19/0.23	1.05	1.08	24.7	1.65	1.70	1.75	8.93	25	0.23
FLDWC0311-1.00-*	1.00	19/0.25	1.17	1.26	20.0	1.78	1.85	1.93	10.9	25	0.23
FLDWC0311-1.50-*	1.50	19/0.32	1.35	1.58	13.7	2.19	2.27	2.34	17.9	30	0.45
FLDWC0311-2.00-*	2.00	19/0.36	1.66	1.79	9.7	2.42	2.52	2.62	21.3	38	0.45
FLDWC0311-2.50-*	2.50	19/0.41	1.85	2.01	8.2	2.63	2.73	2.83	27.4	50	0.68

WIRE RATINGS: Temperature Rating :- 125 °C
Voltage Rating :- 600 Volts (rms)
Flame Rating :- VW1

COLOUR CODE: The '*' in the part number shall be replaced by a standard colour code designator.
e.g., FLDWC0311-1.50-9, 1.50mm², white insulation

ADDITIONAL REQUIREMENTS: Crosslink Verification: 300 ±3°C/1 hr. as per WCD3106 clause 3.4.7; voltage withstand - 2.5 kV; mandrels & weights as shown above.

Insulation Tensile Strength: 17.2N/mm² minimum
Insulation Elongation: 150% minimum
Thermal Stability: Temperature - 158°C; 70% tensile strength & elongation retention
Shrinkage: 3 mm maximum at each end at 125°C/1 hour
Insulation Resistance: 1524 Mohm.km minimum
Spark Test: 8.0 kV

APPROVAL: Electronic sign off - no signatures will appear.

X-ON Electronics

Largest Supplier of Electrical and Electronic Components

Click to view similar products for te connectivity manufacturer:

Other Similar products are found below :

[570416-000](#) [CLTEQ-M81CE-SSRELAY-4-20V](#) [D38999/24FJ4AN](#) [358838-000](#) [4-1195131-0](#) [650069-000](#) [SMD100-2](#) [CB-1022B-78](#)
[RM707012](#) [RP410012](#) [MMS42](#) [1-640426-8](#) [2EDL4CM](#) [DTS20W19-11PD-3028-LC](#) [RM202615](#) [NC6-P104-06](#) [MSPS103B](#) [DTS26F21-41AE](#) [DTS26F21-41PE-LC](#) [DTS26F21-11SE-3028-LC](#) [1932144-1](#) [293545-4](#) [LVR125S](#) [MS27466T25F4PB](#) [CKB-38-78010](#)
[1206SFF150F/63-2](#) [D38999/20JB35HA](#) [D38999/24WJ20PA](#) [1754138-1](#) [TE1500A2R2J](#) [DTS24F25-29PC-3028-LC](#) [D38999/24WG11HA](#)
[D38999/24WG11HN](#) [MS27467T21F11H](#) [DJT16E21-11HA](#) [1206SFH150F/24-2](#) [DTS24F19-11SC-3028-LC](#) [DTS24F21-41HN-LC](#)
[DTS24F21-41AN](#) [DTS24F21-41PN-LC](#) [MS27467T21F35J](#) [MS27467T21F11J](#) [MS27467T21F16H-LC](#) [MS27467T21F35H](#)
[MS27467T21F41H-LC](#) [DJT16E21-11PA-LC](#) [DJT16E21-11HA-LC](#) [DJT16E21-11AA](#) [MS27467T21B11JA](#) [DJT16E21-11JA](#)