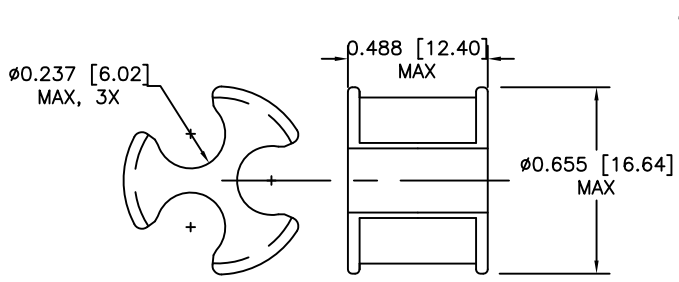
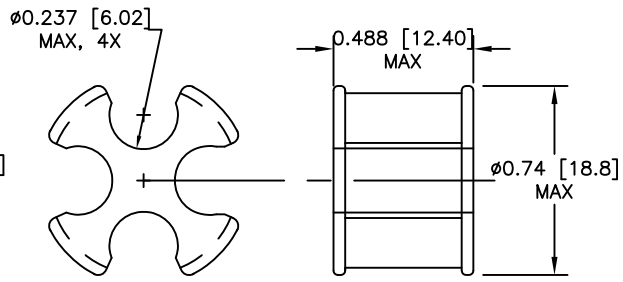


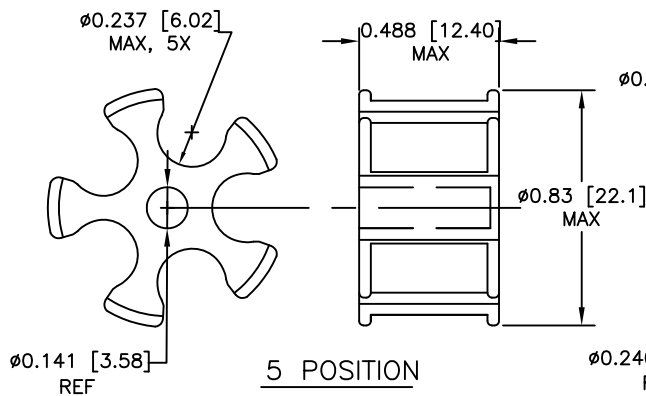
REVISIONS			
LTR	DESCRIPTION	DATE	APPROVED
C	REVISED PER ECO-14-008930	06/12/2014	I. MYONG



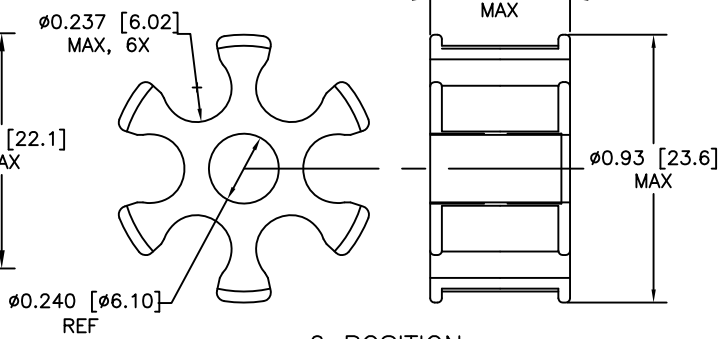
3 POSITION



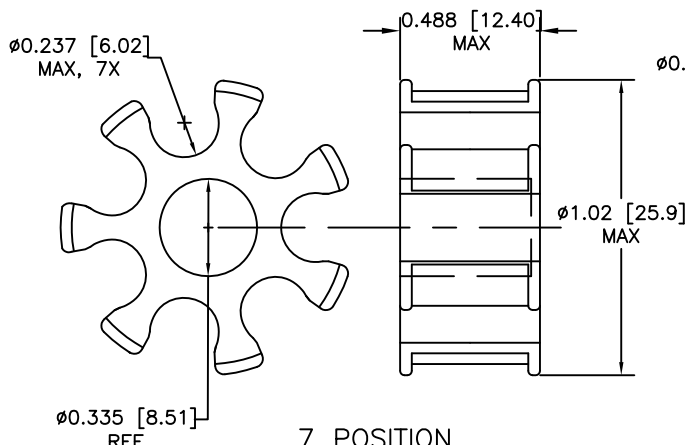
4 POSITION



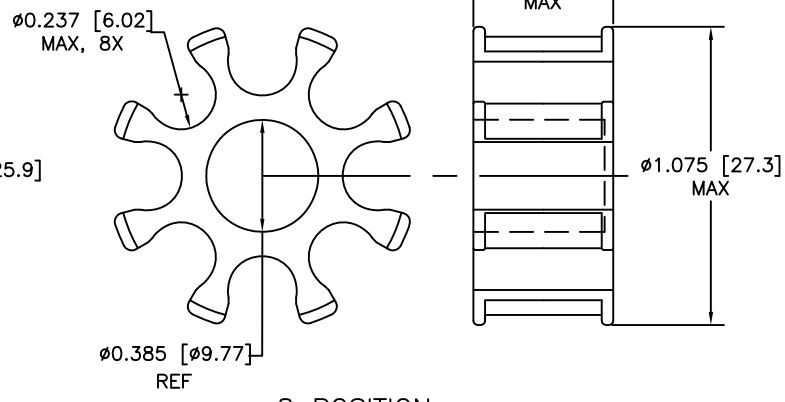
5 POSITION



6 POSITION




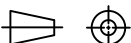
7 POSITION

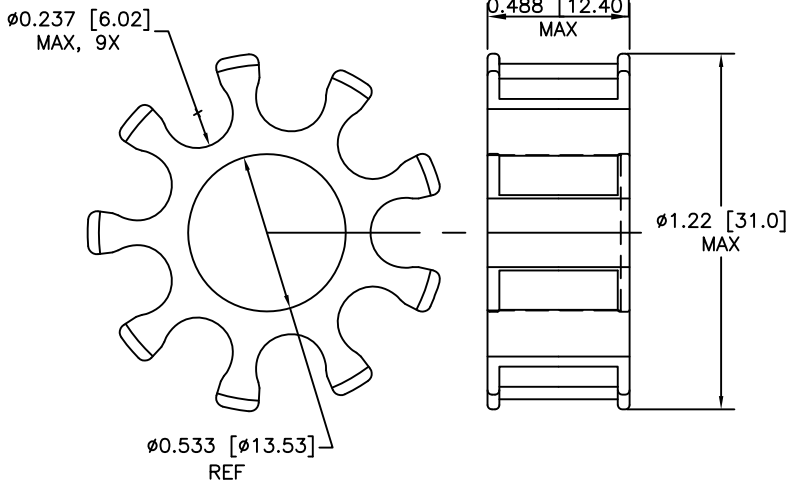


8 POSITION

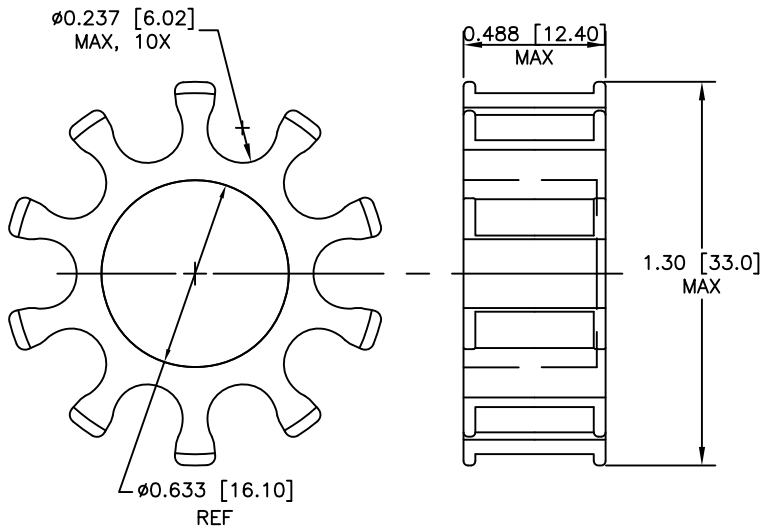
©2014 TE CONNECTIVITY LTD. FAMILY OF COMPANIES. ALL RIGHTS RESERVED
 TE CONNECTIVITY (LOGO) AND TE (LOGO) ARE TRADEMARKS.
 OTHER LOGOS, PRODUCT AND/OR COMPANY NAMES MAY BE TRADEMARKS OF THEIR RESPECTIVE OWNERS.

**Raychem Adapters
 CUSTOMER DRAWING**

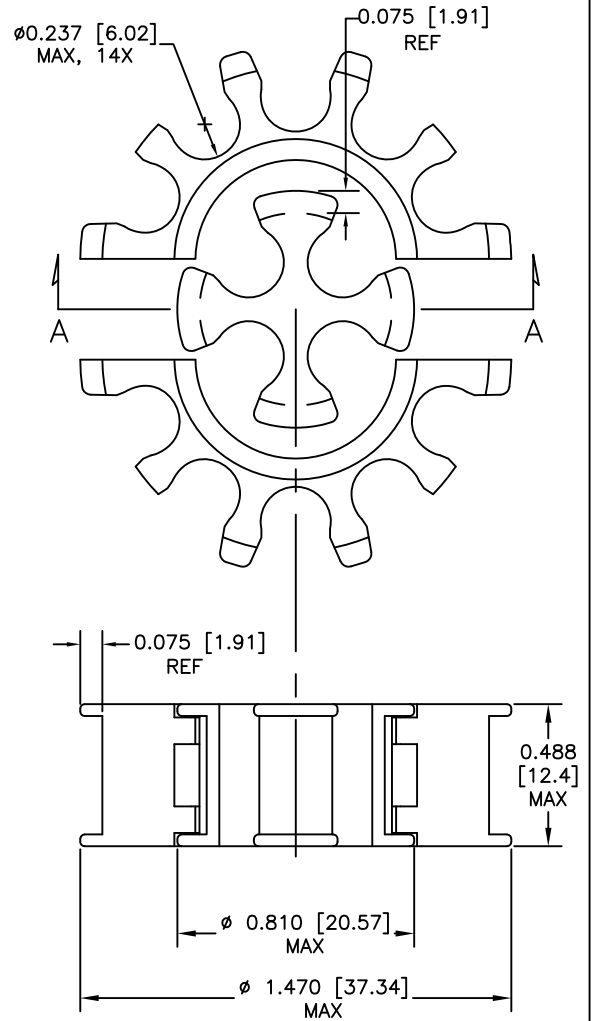
UNLESS OTHERWISE SPECIFIED, DIMENSIONS ARE IN INCHES. METRIC DIMENSIONS ARE IN BRACKETS AS REFERENCE.	DRAWN	DATE		CONNECTIVITY
	P. TALLY	02/16/2007		
	CHECKED	DATE		
TYCO ELECTRONICS RESERVES THE RIGHT TO CHANGE THIS DRAWING AT ANYTIME. USERS SHOULD EVALUATE THE SUITABILITY OF THE PRODUCT FOR THEIR APPLICATION.	M. PIOZET	02/16/2007	TITLE	STAR, MULTI-POSITION HEXASHIELD-F EMI TERMINATION SYSTEM
	APPROVED	DATE		
DECIMAL TOLERANCES: .XXX ±.010 [0,25mm] .XX ±.02 [0,51mm] .X ±.1 [2,54mm] ANGULAR TOLERANCE: .X ±1'	I. MYONG	08/14/2009	SIZE	REV
	CAD FILE NAME: FLX40-02X-XX.dwg		A	C
	THIRD ANGLE PROJECTION: 		CAGE	DWG. NO.
			06090	FLX40-02X-XX
			DO NOT SCALE THIS DRAWING	
			SHEET 1 OF 6	



9 POSITION



10 POSITION



SECTION A-A

14 POSITION

**Raychem Adapters
CUSTOMER DRAWING**



DO NOT
SCALE THIS
DRAWING

SIZE
A

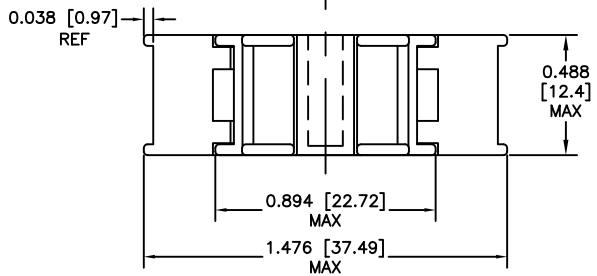
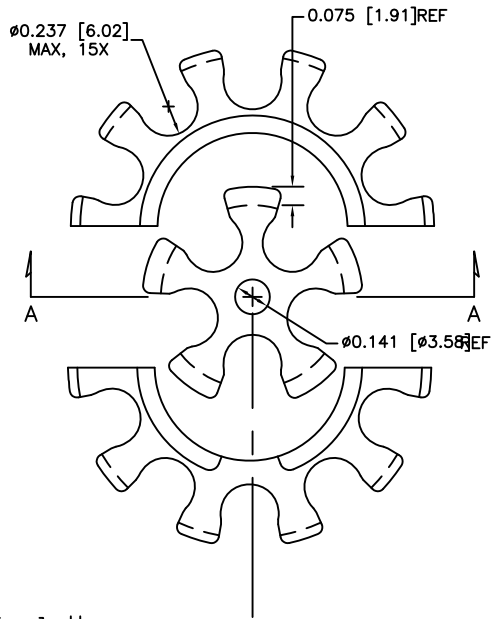
CAGE
06090

SHEET
2 OF 6

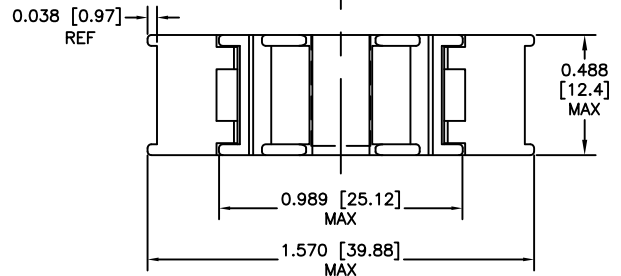
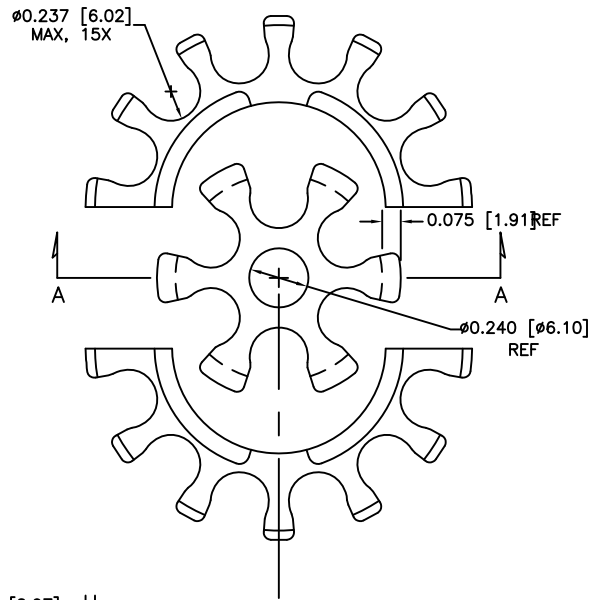
DWG. NO.

FLX40-02X-XX

REV
C



SECTION A-A
15 POSITION



SECTION A-A
18 POSITION

Raychem Adapters
CUSTOMER DRAWING



DO NOT
SCALE THIS
DRAWING

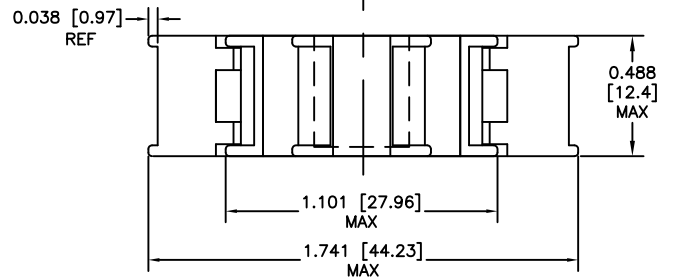
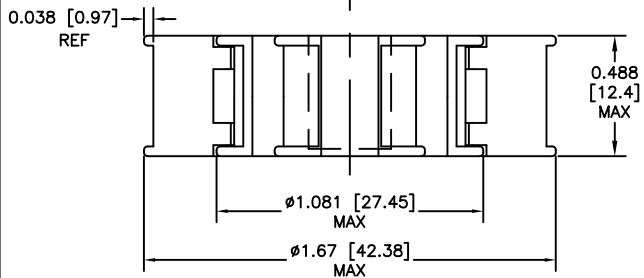
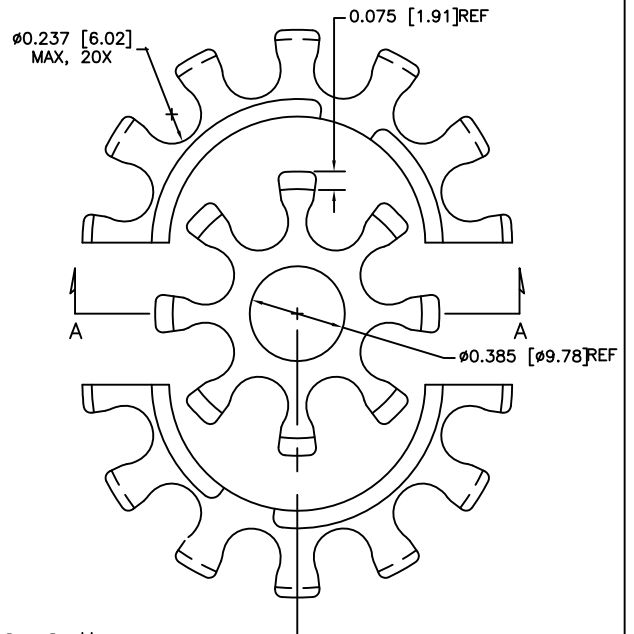
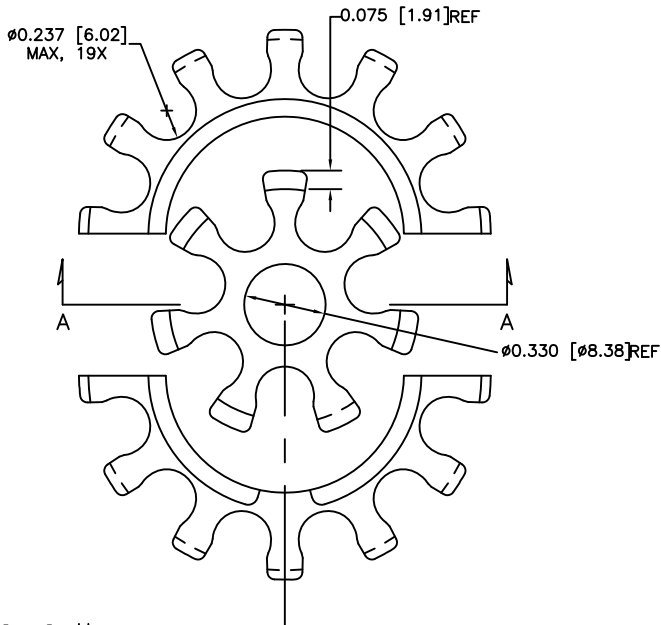
SIZE
A

CAGE
06090

SHEET
3 OF 6

DWG. NO.
FLX40-02X-XX

REV
C



SECTION A-A
19 POSITION

SECTION A-A
20 POSITION

Raychem Adapters
CUSTOMER DRAWING



DO NOT
SCALE THIS
DRAWING

SIZE
A

CAGE
06090

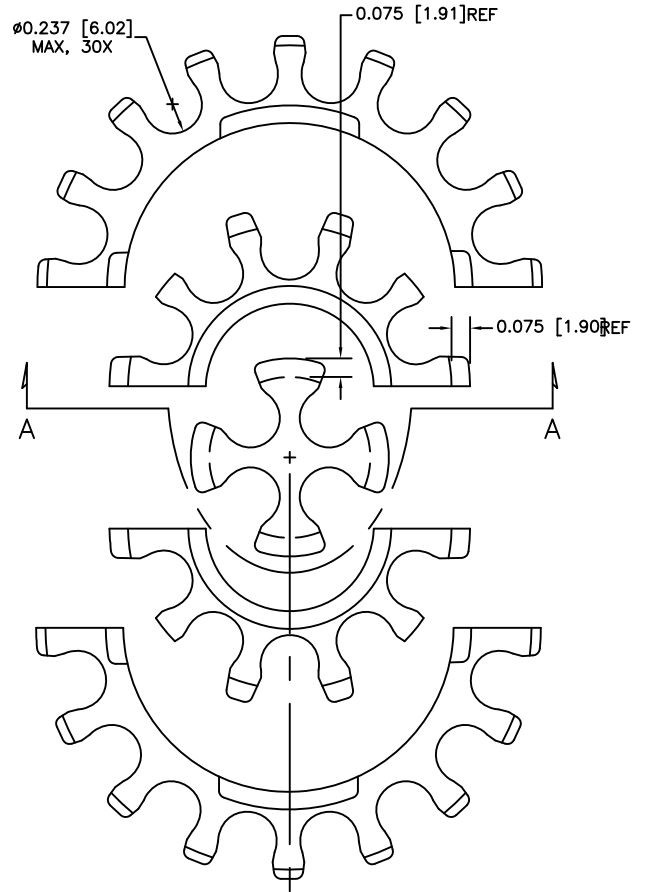
SHEET
4 OF 6

DWG. NO.
FLX40-02X-XX

REV
C



SECTION A-A
25 POSITION



SECTION A-A
30 POSITION

Raychem Adapters
CUSTOMER DRAWING

	DO NOT SCALE THIS DRAWING	SIZE	CAGE	SHEET	DWG. NO.	REV
		A	06090	5 OF 6	FLX40-02X-XX	C

MATERIAL:

BASE METAL – ALUMINUM ALLOY 6061-T651 OR EN AW 2011-T3.

PLATINGS:

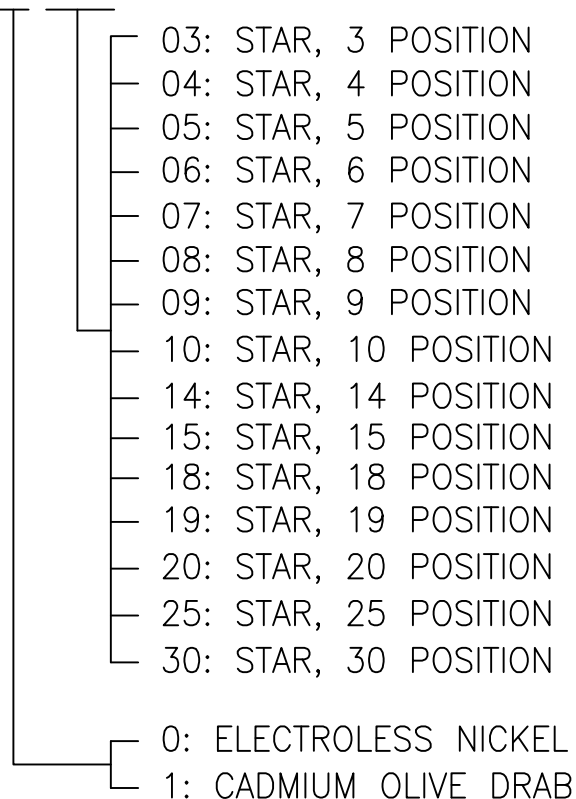
- ELECTROLESS NICKEL CONFORMING TO SAE AMS-C-26074, CLASS 4, GRADE C.
- CADMIUM OLIVE OLIVE DRAB CONFORMING TO SAE AMS-QQ-P-416 TYPE III, CLASS 3 (500 HOUR SALT SPRAY).

APPLICATION:

1. THESE DEVICES ARE DESIGNED TO BE USED IN A HEXASHIELD-F EMI TERMINATION SYSTEM.

PART NUMBERING:

FLX40-02X-XX



**Raychem Adapters
 CUSTOMER DRAWING**



DO NOT
SCALE THIS
DRAWING

SIZE

A

CAGE

06090

SHEET

6 OF 6

DWG. NO.

FLX40-02X-XX

REV

C

X-ON Electronics

Largest Supplier of Electrical and Electronic Components

Click to view similar products for [Solder & Shield Tubing category](#):

Click to view products by [TE Connectivity manufacturer](#):

Other Similar products are found below :

[CTA-0027](#) [CTC-0062-20-9/5-9](#) [CTC-0062-22-9/5-9](#) [650076N001](#) [680441-000](#) [D-150-0331CS2902](#) [D-181-1222-90/9CS2800](#) [D-300-01CS1108](#) [982127-1](#) [D-436-0127CS391](#) [D-436-0182CS246](#) [D-436-37CS2651](#) [D-436-58CS246](#) [D-436-61CS246](#) [D-436-82-CS2621](#) [D-659-0087](#) [D-750-0005CS2493](#) [E53797N001](#) [S200-2-01](#) [S200-4-00CS2904](#) [LSS-81-16AA-CS5575](#) [SO63-2-9036-22CS2677](#) [SO63-3-01CS293](#) [SO63-3-9036-20CS2677](#) [SO63-3-9036-22CS2677](#) [SO63-4-9036-20CS2677](#) [SO63-5-9036-22CS2677](#) [CC1525-000](#) [CTA-0025](#) [CTA-0025CS072](#) [D-108-01CS227](#) [D-108-07CS436](#) [D-128-0010](#) [D-141-0108CS404](#) [D-142-51-202-7754](#) [D-144-41CS1371](#) [D-150-0231-NRCS2896](#) [B-801-18-01](#) [B-801-58](#) [515-9](#) [C67137-000](#) [D-436-36CS2908](#) [D-436-37CS2908](#) [D-436-52CS246](#) [D-436-83CS2705](#) [D-438-0102](#) [LSS-26-8A](#) [427243-000](#) [D-106-2012](#) [D-300-08CS1108](#)