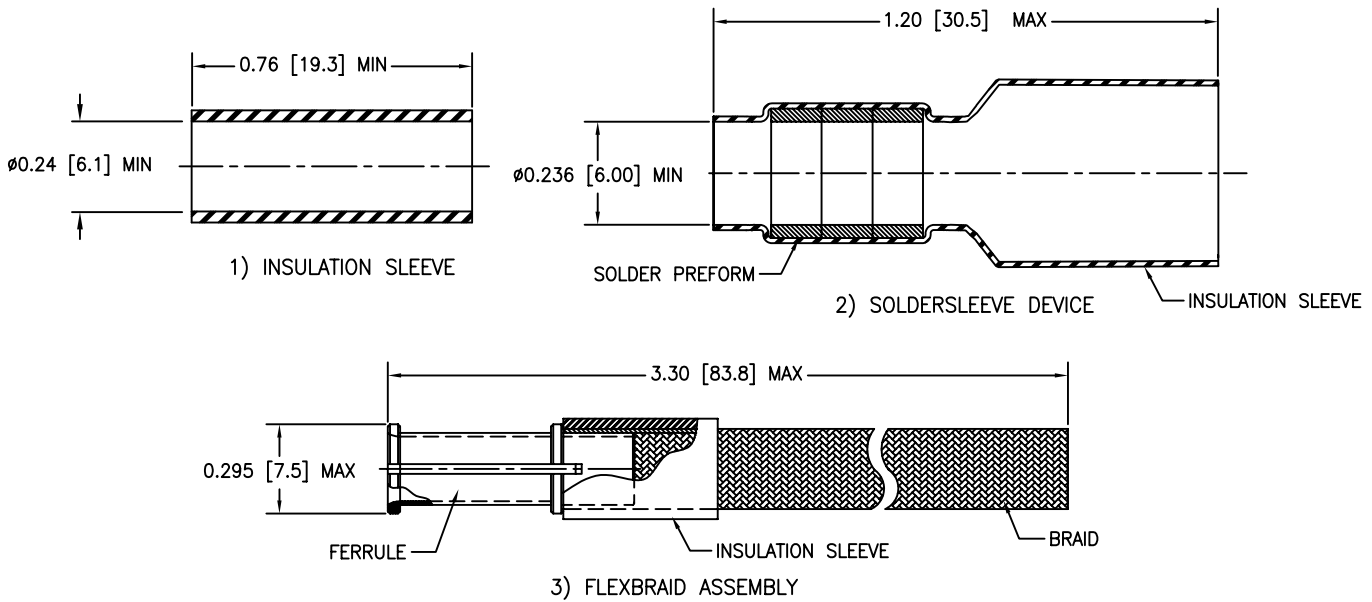


2

1

THIS DRAWING AND THE INFORMATION SET FORTH HEREON ARE THE PROPERTY OF TYCO ELECTRONICS CORPORATION, AND ARE TO BE HELD IN TRUST AND CONFIDENCE. PUBLICATION, DUPLICATION, DISCLOSURE, OR USE FOR ANY PURPOSE NOT EXPRESSLY AUTHORIZED IN WRITING BY TYCO ELECTRONICS IS PROHIBITED.

REVISIONS			
LTR	DESCRIPTION	DATE	APPROVED
A1	PRELIMINARY		
B	REVISED PER ECO-09-015832	07/07/09	A. BUI



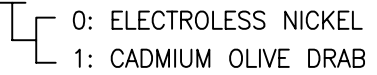
**MATERIALS:**

- INSULATION SLEEVE: HEAT-SHRINKABLE, TRANSPARENT BLUE, RADIATION CROSS-LINKED POLYVINYLIDENE FLUORIDE.
  - SOLDERSLEEVE DEVICE:
    - INSULATION SLEEVE: HEAT-SHRINKABLE, TRANSPARENT BLUE, RADIATION CROSS-LINKED POLYVINYLIDENE FLUORIDE.
    - SOLDER PREFORM WITH FLUX:
      - SOLDER: Sn96Ag4 PER ANSI/J-STD-006.
      - FLUX: ROM1 PER ANSI/J-STD-004.
  - FLEXBRAID ASSEMBLY:
    - FERRULE: BASE METAL - ALLOY C17200 OR C17300 PER ASTM B196/-196M
    - PLATINGS - ELECTROLESS NICKEL CONFORMING TO SAE AMS-C-26074, CLASS 3, GRADE C
    - CADMIUM OLIVE DRAB CONFORMING TO SAE AMS-QQ-P-416 TYPE II CLASS 3 (500 HOUR SALT SPRAY)
- INSULATION SLEEVE: HEAT-SHRINKABLE, RADIATION CROSS-LINKED POLYVINYLIDENE FLUORIDE.  
 BRAID: SILVER PLATED COPPER.

**APPLICATION:**

- THIS DEVICE IS DESIGNED TO BE USED IN A HEXASHIELD EMI TERMINATION SYSTEM.

PART NUMBERING: **FLX40-04X-01**



©2007-2009 Tyco Electronics Corporation. All rights reserved.

**CUSTOMER DRAWING**

UNLESS OTHERWISE SPECIFIED DIMENSIONS ARE IN INCHES. METRIC DIMENSIONS ARE IN BRACKETS.  DECIMALS .XXX ± _____ .XX ± _____ ANGLES _____  WEIGHT ---	DRAWN	K. YEE	11/21/07		Raychem Interconnect		
	CHECKED				300 Constitution Drive Menlo Park, CA 94025 U.S.A.		
	APPROVED	MPIOZET	11/21/07	TITLE			
	REVISED			FLEXBRAID KIT HEXASHIELD EMI TERMINATION SYSTEM			
CAD NAME:			FLX40-04X-01	SIZE	CODE IDENT. NO.	DWG. NO.	REV
THIRD ANGLE PROJECTION				A	06090	<b>FLX40-04X-01</b>	B
				DO NOT SCALE THIS DRAWING		SHEET 1 OF 1	

2

1

## X-ON Electronics

Largest Supplier of Electrical and Electronic Components

*Click to view similar products for [Solder & Shield Tubing category](#):*

*Click to view products by [TE Connectivity manufacturer](#):*

Other Similar products are found below :

[CTA-0027](#) [CTC-0062-20-9/5-9](#) [CTC-0062-22-9/5-9](#) [650076N001](#) [680441-000](#) [D-150-0331CS2902](#) [D-181-1222-90/9CS2800](#) [D-300-01CS1108](#) [982127-1](#) [D-436-0127CS391](#) [D-436-0182CS246](#) [D-436-37CS2651](#) [D-436-58CS246](#) [D-436-61CS246](#) [D-436-82-CS2621](#) [D-659-0087](#) [D-750-0005CS2493](#) [E53797N001](#) [S200-2-01](#) [S200-4-00CS2904](#) [LSS-81-16AA-CS5575](#) [SO63-2-9036-22CS2677](#) [SO63-3-01CS293](#) [SO63-3-9036-20CS2677](#) [SO63-3-9036-22CS2677](#) [SO63-4-9036-20CS2677](#) [SO63-5-9036-22CS2677](#) [CC1525-000](#) [CTA-0025](#) [CTA-0025CS072](#) [D-108-01CS227](#) [D-108-07CS436](#) [D-128-0010](#) [D-141-0108CS404](#) [D-142-51-202-7754](#) [D-144-41CS1371](#) [D-150-0231-NRCS2896](#) [B-801-18-01](#) [B-801-58](#) [515-9](#) [C67137-000](#) [D-436-36CS2908](#) [D-436-37CS2908](#) [D-436-52CS246](#) [D-436-83CS2705](#) [D-438-0102](#) [LSS-26-8A](#) [427243-000](#) [D-106-2012](#) [D-300-08CS1108](#)