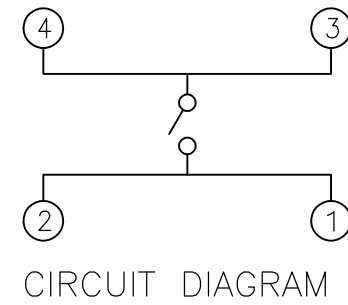
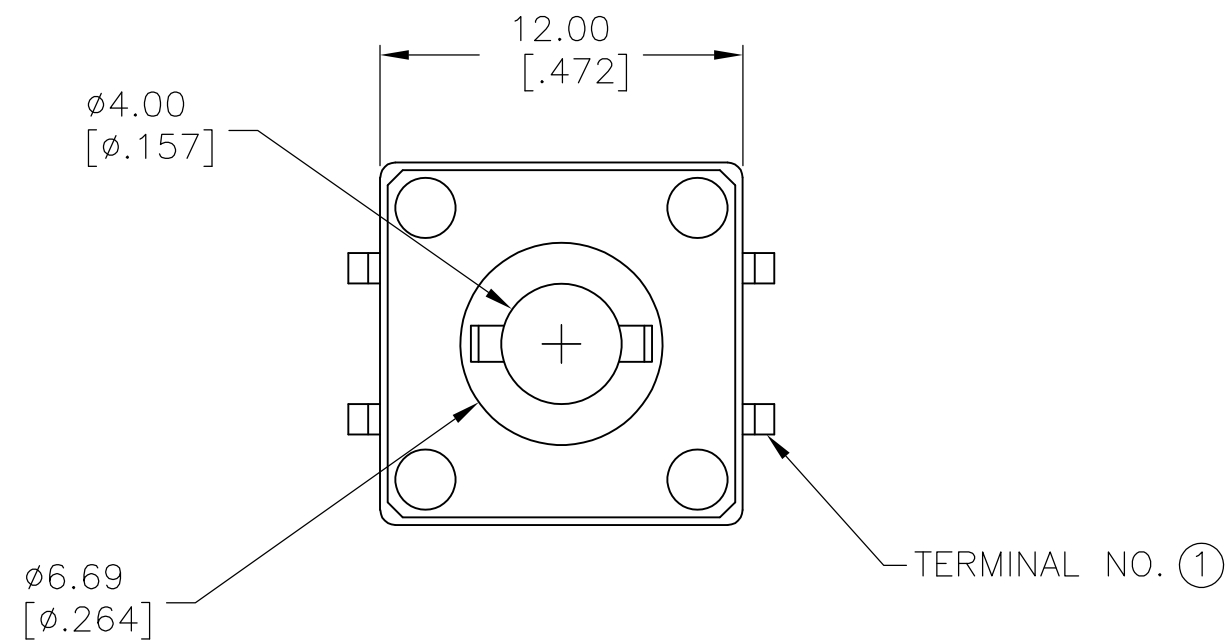


THIS DRAWING IS UNPUBLISHED. RELEASED FOR PUBLICATION
 © COPYRIGHT - By - ALL RIGHTS RESERVED.

LOC		DIST		REVISIONS			
P	LTR	DESCRIPTION	DATE	DWN	APVD		
E2		REVISED PER ECO-11-004820	11MAR11	RK	HMR		



CIRCUIT DIAGRAM
 NOTE: TERMINAL NUMBERS ARE FOR REFERENCE ONLY AND DO NOT APPEAR ON SWITCHES.

SPECIFICATIONS:

MATERIALS:

CASE: PBT 30% GF UL94HB, BLACK.
 COVER: PET FILM WHITE.
 ACTUATOR BUTTON: ACETAL SEE P/N TABLE.
 MOVING CONTACT: COPPER ALLOY, SILVER FINISH.
 FIXED CONTACT/TERMINAL: COPPER ALLOY, SILVER/NICKEL FINISH

ELECTRICAL:

MAX CONTACT RATING: 50MILLIAMPS@24V DC
 MIN CONTACT RATING: 10MICROAMPS@1V DC
 CONTACT RESISTANCE: 100 MILLIOHMS MAX.
 INSULATION RESISTANCE: 100 MEGOHMS MIN. @ 100 VDC.
 DIELECTRIC STRENGTH: 500 VAC 50/60 Hz FOR 1 MINUTE.
 LIFE EXPECTANCY: 100,000 CYCLES MIN.

MECHANICAL:

ACTUATION FORCE: SEE TABLE.
 ACTUATION TRAVEL: .012 in. (0,3 mm) APPROX.

ENVIRONMENTAL:

OPERATING TEMPERATURE: -35°C TO +85°C.
 STORAGE TEMPERATURE: -35°C TO +85°C.
 SOLDER HEAT RESISTANCE, 240°C FOR 10 SEC PER 109-202 CONDITION A.

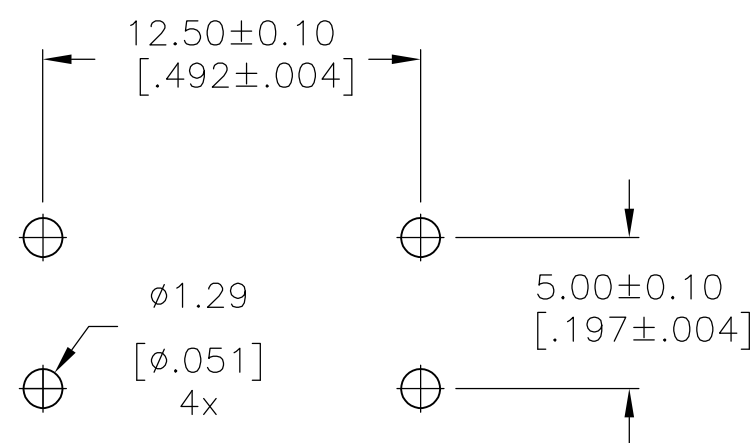
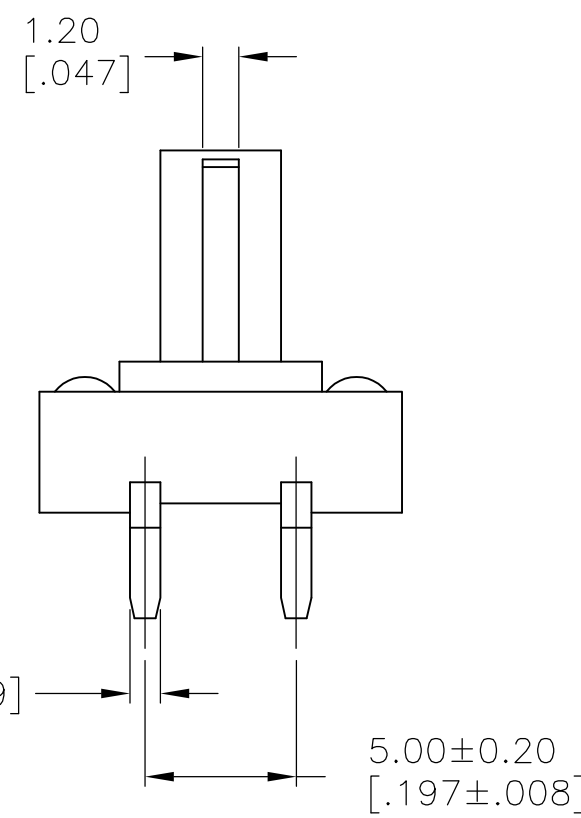
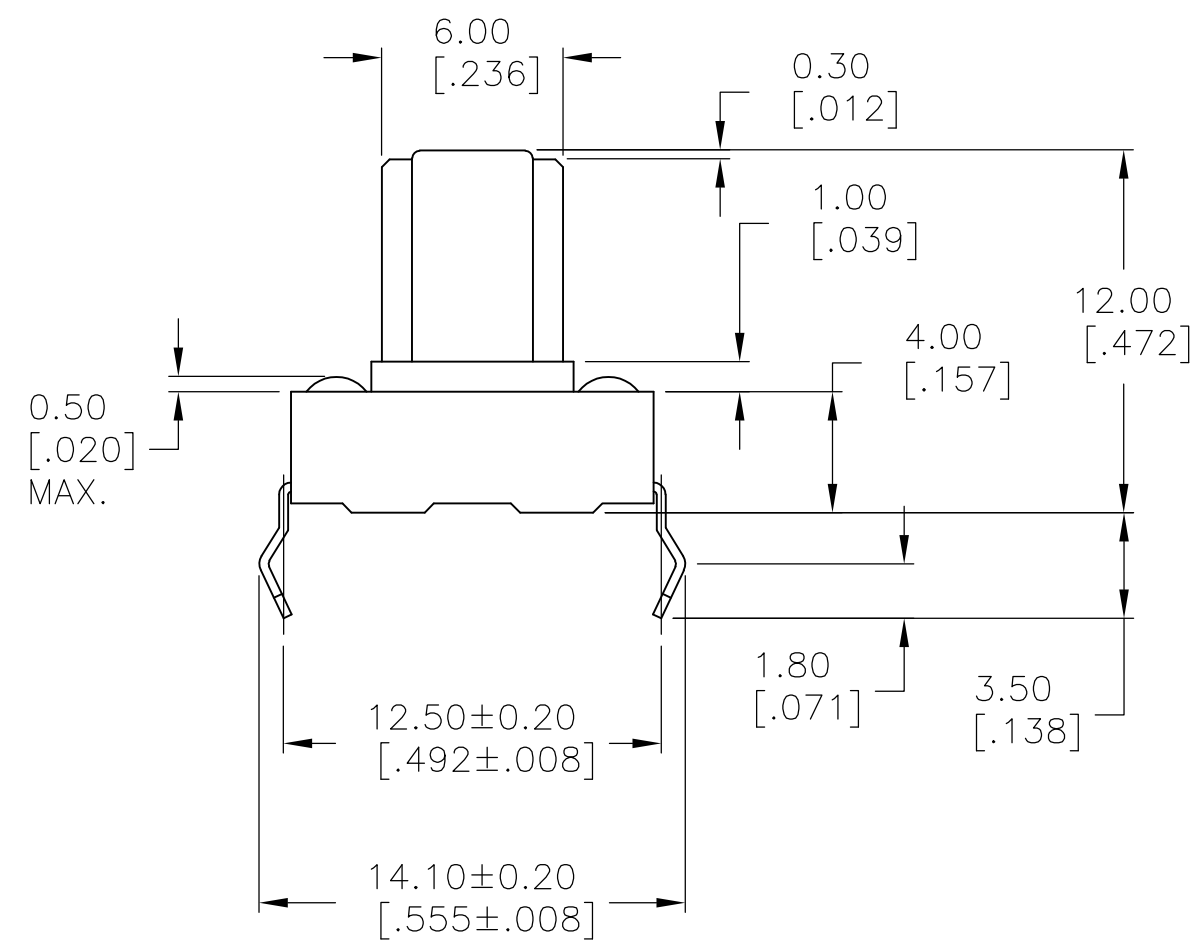
SOLDERABILITY:

SPECIFICATION EIA-364-52, CLASS 1, CATEGORY 2

NOTES:

1. ALL MATERIALS & FINISHES SHALL COMPLY WITH EU DIRECTIVE 2002/95/EC OF 27JAN2003 (ROHS)

2. OBSOLETE PARTS: OBSOLETE CIS STREAMLINING PER D.RENAUD/D.SINISI



RECOMMENDED HOLE LAYOUT
 TOLERANCE ±.002 UNLESS OTHERWISE NOTED

ACTUATOR FORCE	ACTUATOR BUTTON COLOR	PART NUMBER
160±50gf	BLACK	1437565-4
260±50gf	RED	1571061-4

THIS DRAWING IS A CONTROLLED DOCUMENT.		DWN S.KIRCORIAN 31AUG96	TE Connectivity	
DIMENSIONS: mm [INCHES]		CHK -	NAME -	
TOLERANCES UNLESS OTHERWISE SPECIFIED:		APVD -	PRODUCT SPEC -	
0 PLC ± -	1 PLC ± -	APPLICATION SPEC -	SIZE CAGE CODE DRAWING NO RESTRICTED TO	
2 PLC ± 0.30[.012]	3 PLC ± -	WEIGHT -	A2 00779	C=1437565-4
4 PLC ± -	ANGLES ± 1°	CUSTOMER DRAWING	SCALE 4:1	SHEET 1 of 1
MATERIAL SEE SPECIFICATIONS	FINISH SEE SPECIFICATIONS	REV E2		

X-ON Electronics

Largest Supplier of Electrical and Electronic Components

Click to view similar products for [Tactile Switches](#) category:

Click to view products by [TE Connectivity](#) manufacturer:

Other Similar products are found below :

[5GTH92001](#) [1-1977120-4](#) [ADTSA62RV](#) [ADTSA63KV](#) [ADTSA644NV](#) [ADTSMW66NV](#) [ADTSMW67RV](#) [B3F-3123](#) [B3F-6055A](#) [B3F-B32-01-KIT](#) [1977177-8](#) [1977266-1](#) [ADTS644KV](#) [ADTSA61RV](#) [ADTSA62KV](#) [ADTSA63NV](#) [ADTSA63RV](#) [ADTSM21NSVTR](#) [ADTSM32NVTR](#) [ADTSM63SVTR](#) [ADTSM644KVTR](#) [ADTSMW64RV](#) [ADTSMW69NV](#) [FSMRA4JHA04](#) [GS4.70F300QP](#) [3ESH9R](#) [506E00201](#) [MJTP1164TR](#) [3FTL600RAS](#) [3FTL640RAS](#) [Y96K132V0FPLFS](#) [101-TS5022T1601-EV](#) [5GSH92001](#) [KSJ0A231](#) [80SH LFG](#) [EVQ-P1D05K](#) [MJTP1162TR](#) [ADTSM63KV](#) [TSJW-5.2-260-TR](#) [KMT011MNGJLHS](#) [B3WN6002S](#) [ADTSA648RV](#) [70-201.0](#) [ADTSG648NV](#) [ADTSM62KSVTR](#) [ATA600VTR](#) [ADTSG66RV](#) [ADTS61NV](#) [ADTSM62KVTR](#) [ADTSM25KSVB](#) [ADTS65RV](#)