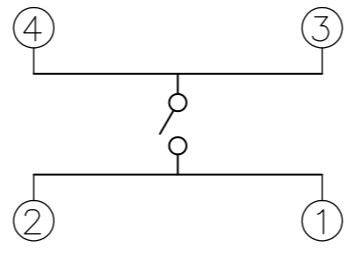
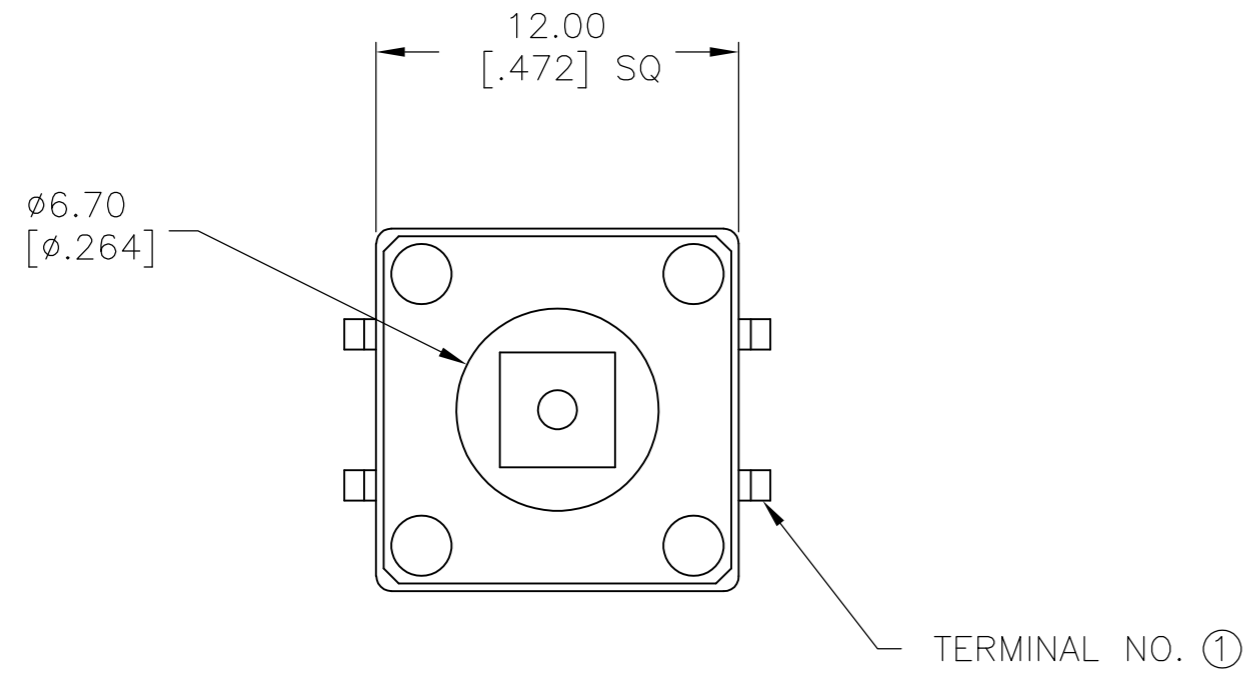


THIS DRAWING IS UNPUBLISHED. RELEASED FOR PUBLICATION 1437565-5, 1437565-5
 © COPYRIGHT 1437565-5 ALL RIGHTS RESERVED.

LOC	DIST	REVISIONS			
P	LTR	DESCRIPTION	DATE	DWN	APVD
AD	00	E2 REVISED PER ECO-11-004587	11MAR11	RK	HMR



CIRCUIT DIAGRAM

NOTE: TERMINAL NUMBERS ARE FOR REFERENCE ONLY AND DO NOT APPEAR ON SWITCHES.

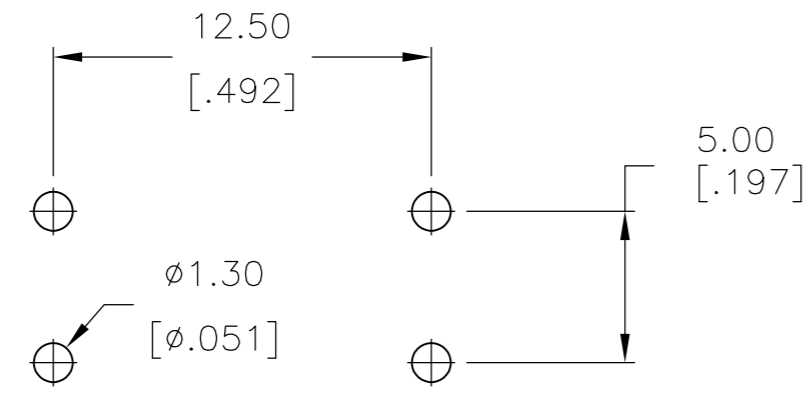
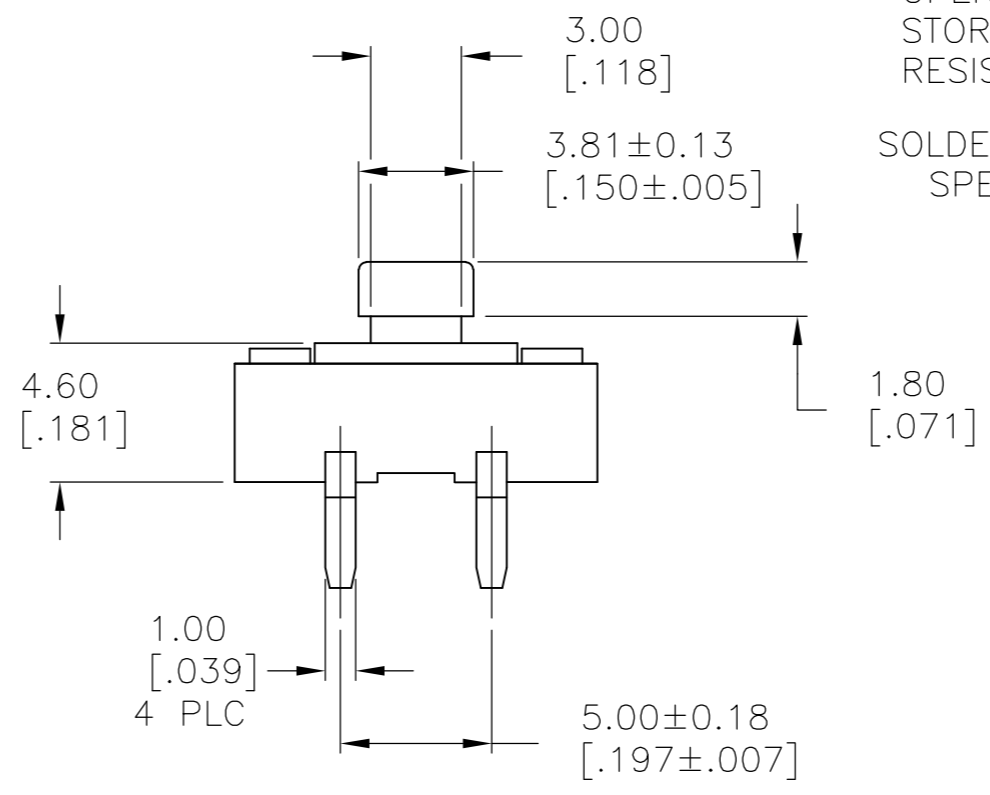
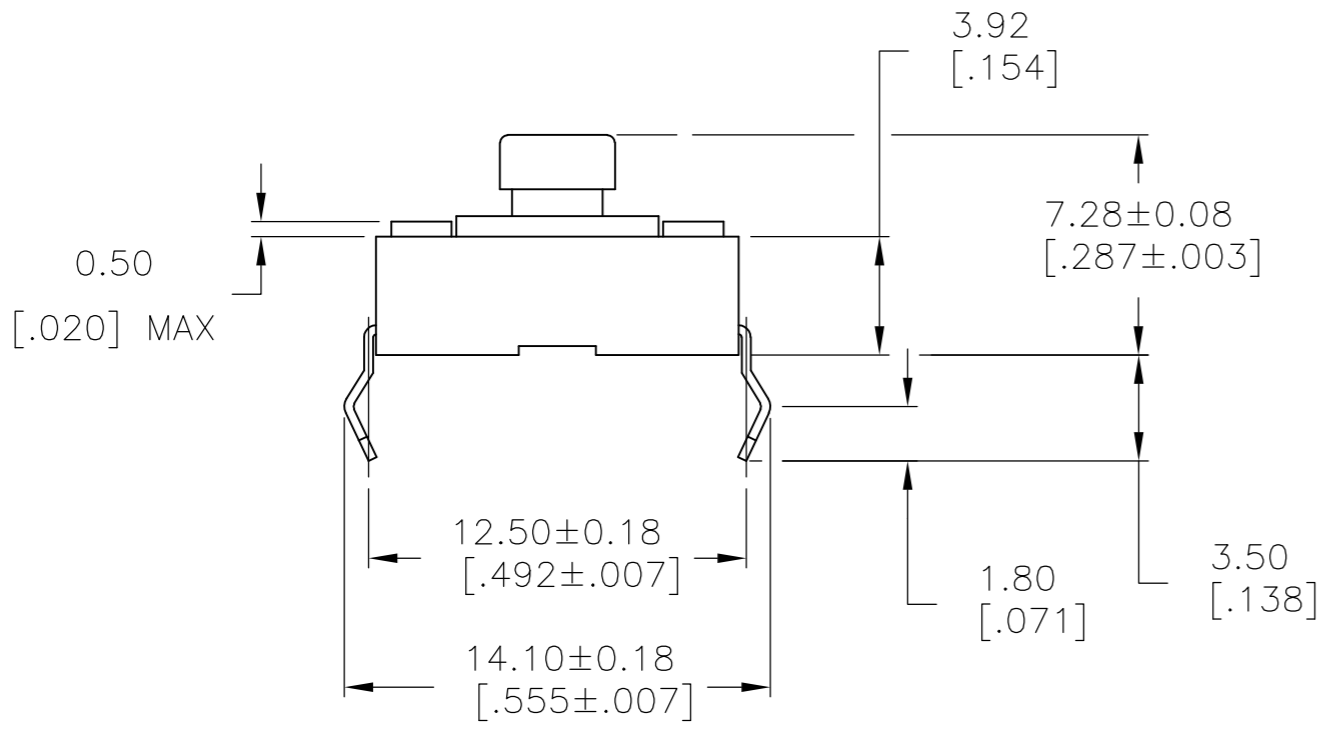
SPECIFICATIONS:

MATERIALS:
 CASE: PBT G30, 94HB, BLACK.
 COVER: PET FILM.
 ACTUATOR BUTTON: ACETAL, BLACK.
 MOVING CONTACT: PHOS.BRONZE, SILVER CLAD.
 FIXED CONTACT/TERMINAL: BRASS. SILVER PLATE.

ELECTRICAL:
 MAX CONTACT RATING: 50MILLIAMPS@24V DC
 MIN CONTACT RATING: 10MICROAMPS@1V DC
 CONTACT RESISTANCE: 100 MILLIOHMS MAX.
 INSULATION RESISTANCE: 100 MEGOHMS MIN. @ 100 VDC.
 DIELECTRIC STRENGTH: 500 VAC
 LIFE EXPECTANCY: 100,000 CYCLES MIN.
MECHANICAL:
 ACTUATION FORCE: 160 ±30 GRAMS.
 ACTUATION TRAVEL: 0.30mm (.012 in.) APPROX.

ENVIRONMENTAL:
 OPERATING TEMPERATURE: -35°C TO +85°C.
 STORAGE TEMPERATURE: -35°C TO +85°C.
 RESISTANCE TO SOLDER HEAT PER 109-202, COND B 265°C FOR 10 SECONDS

SOLDERABILITY:
 SPECIFICATION EIA-364-52, CLASS II, CATEGORY 1



RECOMMENDED HOLE LAYOUT
 TOLERANCE ±.002 UNLESS OTHERWISE NOTED

260±50g	RED	FSM103A	1571627-1
160±50g	BLACK	FSM103	1437565-5
ACTUATOR FORCE	ACTUATOR COLOR	FORMER T&B PART NUMBER	PART NUMBER

THIS DRAWING IS A CONTROLLED DOCUMENT.		DWN R BROWN 12FEB04																					
DIMENSIONS: mm [INCHES]		CHK M SARVER 12FEB04																					
TOLERANCES UNLESS OTHERWISE SPECIFIED:		APVD M SARVER 12FEB04																					
<table border="1"> <tr><td>0 PLC</td><td>±</td><td>-</td></tr> <tr><td>1 PLC</td><td>±</td><td>-</td></tr> <tr><td>2 PLC</td><td>±</td><td>0.30[.012]</td></tr> <tr><td>3 PLC</td><td>±</td><td>-</td></tr> <tr><td>4 PLC</td><td>±</td><td>-</td></tr> <tr><td>ANGLES</td><td>±</td><td>-</td></tr> <tr><td>FINISH</td><td>±</td><td>-</td></tr> </table>		0 PLC			±	-	1 PLC	±	-	2 PLC	±	0.30[.012]	3 PLC	±	-	4 PLC	±	-	ANGLES	±	-	FINISH	±
0 PLC	±	-																					
1 PLC	±	-																					
2 PLC	±	0.30[.012]																					
3 PLC	±	-																					
4 PLC	±	-																					
ANGLES	±	-																					
FINISH	±	-																					
MATERIAL	FINISH	PRODUCT SPEC	APPLICATION SPEC	SIZE A2	CAGE CODE -	DRAWING NO. 1437565-5	RESTRICTED TO -																
		WEIGHT -	CUSTOMER DRAWING	SCALE 4:1	SHEET 1 of 1	REV E2																	

X-ON Electronics

Largest Supplier of Electrical and Electronic Components

Click to view similar products for [Tactile Switches](#) category:

Click to view products by [TE Connectivity](#) manufacturer:

Other Similar products are found below :

[5GTH92001](#) [1-1977120-4](#) [ADTSA62NV](#) [ADTSA62RV](#) [ADTSA63KV](#) [ADTSA644NV](#) [ADTSMW66NV](#) [ADTSMW67RV](#) [B3F-3123](#) [B3F-6055A](#) [B3F-B32-01-KIT](#) [1977177-8](#) [1977266-1](#) [ADTS644KV](#) [ADTSA61RV](#) [ADTSA62KV](#) [ADTSA63NV](#) [ADTSA63RV](#) [ADTSM21NSVTR](#) [ADTSM32NVTR](#) [ADTSM63SVTR](#) [ADTSM644KVTR](#) [ADTSMW64RV](#) [ADTSMW69NV](#) [FSMRA4JHA04](#) [GS4.70F300QP](#) [3ESH9R](#) [506E00201](#) [MJTP1164TR](#) [3FTL600RAS](#) [3FTL640RAS](#) [Y96K132V0FPLFS](#) [101-TS5022T1601-EV](#) [5GSH92001](#) [KSJ0A231](#) [80SH LFG](#) [ADTSM31NVTR](#) [EVQ-P1D05K](#) [MJTP1162TR](#) [ADTSM63KV](#) [2-1977120-7](#) [TSJW-5.2-260-TR](#) [KMT011MNGJLHS](#) [B3WN6002S](#) [ADTSA648RV](#) [70-201.0](#) [ADTSG648NV](#) [ADTSM62KSVTR](#) [ATA600VTR](#) [ADTSG66RV](#) [ADTS61NV](#)